

Flange Mounting Kits



This page has been intentionally left blank.

Flange Mounting Kits Application Information

ACURA

INTEGRA

Year	Engine	Location	Qty.	ni Number	Item Number	See Page
1988-89	1.6L 1590cc D16A1	Exhaust Pipe, Rear, 5DR, LS & RS	1 Req	18317	317	167
1988-89	1.6L 1590cc D16A1	Muffler Inlet, Rear 5DR, LS & RS	1 Req	18317	317	167

LEGEND

1991-95	3.2L 3206cc C32A1	Inline Converter Inlet	1 Req	18317	317	167
---------	-------------------	------------------------	-------	-------	-----	-----

BUICK

CENTURY

Year	Engine	Location	Qty.	ni Number	Item Number	See Page
1982-92	2.5L 151ci VIN 2, R	Converter Inlet	1 Req	18310	310	169
1982-92	2.8L 173ci VIN W, X	Converter Inlet	1 Req	18310	310	169
1982-85	3.0L 181ci VIN E	Exhaust Pipe, Front	1 Req	18310	310	169
1994-96	3.1L 189ci VIN M	Converter Inlet	1 Req	18310	310	169
1989-93	3.3L 204ci VIN N	Converter Inlet	1 Req	18310	310	169
1986-88	3.8L 231ci VIN 3	Converter Inlet	1 Req	18310	310	169

ELECTRA

Year	Engine	Location	Qty.	ni Number	Item Number	See Page
1986-87	3.8L 231ci VIN 3, B	Exhaust Pipe, Front	1 Req	18314	18314	169
1985	3.8L 231ci VIN 3, B	Exhaust Pipe, Front	1 Req	18310	310	169
1988-90	3.8L 231ci VIN C	Exhaust Pipe, Front	1 Req	18313	313	169
1980-84	4.1L 252ci Vin 4	Exhaust Pipe, Front	1 Req	18311	311	169
1980-84	4.3L 260ci VIN T	Exhaust Pipe, Front	1 Req	18310	310	169
1986-87	5.0L 307ci VIN Y	Exhaust Pipe, Front	1 Req	18314	18314	169
1985	5.0L 307ci VIN Y	Exhaust Pipe, Front	1 Req	18310	310	169
1981-85	5.7L 350ci VIN N (Diesel)	Exhaust Pipe, Front	1 Req	18314	18314	169

ESTATE WAGON

Year	Engine	Location	Qty.	ni Number	Item Number	See Page
1987-89	5.0L 307ci VIN Y	Exhaust Pipe, Front	1 Req	18314	18314	169
1981-83	5.0L 307ci VIN Y	Exhaust Pipe, Front	1 Req	18310	310	169
1981-83	5.7L 350ci VIN N (Diesel)	Exhaust Pipe, Front	1 Req	18314	18314	169

LESABRE

Year	Engine	Location	Qty.	ni Number	Item Number	See Page
1986	3.0L 181ci VIN L	Exhaust Pipe, Front	1 Req	18313	313	169
1986-88	3.8L 231ci VIN 3	Exhaust Pipe, Front	1 Req	18310	310	169
1988-85	3.8L 231ci VIN C, L	Exhaust Pipe, Front	1 Req	18313	313	169
1981-84	4.1L 252 CID Vin 4	Exhaust Pipe, Front	1 Req	18311	311	169
1982-85	5.0L 307ci VIN Y	Exhaust Pipe, Front	1 Req	18314	18314	169
1982-85	5.7L 350ci VIN N (Diesel)	Exhaust Pipe, Front	1 Req	18314	18314	169

Flange Mounting Kits Application Information Cont.

BUICK

LESABRE ESTATE WAGON

Year	Engine	Location	Qty.	ni Number	Item Number	See Page
1986-90	5.0L 307ci VIN Y	Exhaust Pipe, Front	1 Req	18314	18314	169

REATTA

Year	Engine	Location	Qty.	ni Number	Item Number	See Page
1988-91	3.8L 231ci VIN C, L	Exhaust Pipe, Front	1 Req	18313	313	169

REGAL

Year	Engine	Location	Qty.	ni Number	Item Number	See Page
1988-89	2.8L 173ci VIN W	Exhaust Pipe, Front	1 Req	18310	310	169
1989-96	3.1L 189ci VIN M, T	Exhaust Pipe, Front	1 Req	18310	310	169
1978-79	3.2L 196ci VIN C	Exhaust Pipe, Front	1 Req	18310	310	169
1990-96	3.8L 231ci VIN K, L	Exhaust Pipe, Front	1 Req	18310	310	169
1982-84	4.1L 252ci VIN 4	Exhaust Pipe, Front	1 Req	18314	18314	169
1986-87	5.0L 307ci VIN Y	Exhaust Pipe, Front	1 Req	18314	18314	169
1985	5.7L 350ci VIN N	Exhaust Pipe, Front	1 Req	18314	18314	169
1981-83	5.7L 350ci VIN N	Exhaust Pipe, Front	1 Req	18314	18314	169

RIVIERA

Year	Engine	Location	Qty.	ni Number	Item Number	See Page
1987	3.8L 231ci VIN 3	Exhaust Pipe, Front	1 Req	18310	310	169
1988-93	3.8L 231ci VIN C, L	Exhaust Pipe, Front	1 Req	18313	313	169
1986-86	3.8L 231ci VIN B	Exhaust Pipe, Front	1 Req	18310	310	169
1980-85	5.0L 307ci VIN Y	Exhaust Pipe, Front	1 Req	18314	18314	169
1980-85	5.7L 350ci VIN N	Exhaust Pipe, Front	1 Req	18314	18314	169

SKYHAWK

Year	Engine	Location	Qty.	ni Number	Item Number	See Page
1982-86	1.8L 122ci VIN 0	Exhaust Pipe, Front	1 Req	18313	313	169
1982-86	1.8L 122ci VIN G, J	Exhaust Pipe, Front	1 Req	18313	313	169
1983-89	2.1L 122ci VIN 1, B, K, M, P	Exhaust Pipe, Front	1 Req	18313	313	169

SKYLARK

Year	Engine	Location	Qty.	ni Number	Item Number	See Page
1992-95	2.3L 138ci VIN 3, D	Exhaust Pipe, Front	1 Req	18313	313	169
1982-91	2.5L 151ci VIN R, U, X	Exhaust Pipe, Front	1 Req	18310	310	169
1982-84	2.8L 173ci VIN Z	Exhaust Pipe, Front	1 Req	18310	310	169
1988	3.0L 181ci VIN L	Exhaust Pipe, Front	1 Req	18313	313	168
1986-87	3.0L 181ci VIN L	Exhaust Pipe, Front	1 Req	18310	310	169
1990-93	3.3L 204ci VIN N	Exhaust Pipe, Front	1 Req	18310	310	169
1989	3.3L 204ci VIN N	Exhaust Pipe, Front	1 Req	18313	313	169
1976-78	3.8L 231ci VIN A, C	Converter Inlet	1 Req	18310	310	169
1977-78	5.0L 305ci VIN U	Converter Inlet	1 Req	18310	310	169

Flange Mounting Kits Application Information Cont.

BUICK

SOMERSET

Year	Engine	Location	Qty.	ni Number	Item Number	See Page
1985-87	2.5L 151ci VIN U	Exhaust Pipe, Front	1 Req	18310	310	169
1985-87	3.0L 181ci VIN L	Exhaust Pipe, Front	1 Req	18310	310	169

CADILLAC

ALLANTE

Year	Engine	Location	Qty.	ni Number	Item Number	See Page
1989-92	4.5L 273ci VIN 8	Exhaust Pipe, Front	1 Req	18313	313	169
1989-92	4.6L 281ci VIN 9	Exhaust Pipe, Front	1 Req	18313	313	169

CIMARRON

Year	Engine	Location	Qty.	ni Number	Item Number	See Page
1982	1.8L 112ci VIN G	Exhaust Pipe, Front	1 Req	18313	313	169
1983-86	2.1L 122ci VIN P	Exhaust Pipe, Front	1 Req	18313	313	169
1985-88	2.8L 173ci VIN W	Exhaust Pipe, Front	1 Req	18313	313	169

COMMERCIAL CHASSIS

Year	Engine	Location	Qty.	ni Number	Item Number	See Page
1985-87	4.1L 250ci VIN 8	Exhaust Pipe, Front	1 Req	18313	313	169
1988-90	4.5L 273ci VIN 3	Exhaust Pipe, Front	1 Req	18313	313	169
1991-93	4.9L 300ci VIN B	Exhaust Pipe, Front	1 Req	18313	313	169

DEVILLE

Year	Engine	Location	Qty.	ni Number	Item Number	See Page
1986-87	4.1L 250ci VIN 8	Exhaust Pipe, Front	1 Req	18313	313	169
1988-90	4.5L 273cc VIN 3, 5	Exhaust Pipe, Front	1 Req	18313	313	169

ELDORADO

Year	Engine	Location	Qty.	ni Number	Item Number	See Page
1979-85	5.7L 350ci VIN N	Exhaust Pipe, Front, w/Standard Flange	1 Req	18307	307	168
1979-85	5.7L 350ci VIN N	Exhaust Pipe, Front	1 Req	18314	18314	169
1979-85	6.1L 368cc VIN 9	Exhaust Pipe, Front	1 Req	18311	311	169

FLEETWOOD

Year	Engine	Location	Qty.	ni Number	Item Number	See Page
1979-85	5.7L 350ci VIN N	Exhaust Pipe, Front, Left/Right	1 Req	18311	311	169
1979-85	5.7L 350ci VIN N	Exhaust Pipe, Front, w/Standard Flange	1 Req	18307	307	168
1985-87	4.1L 250ci VIN 8	Exhaust Pipe, Front	1 Req	18313	313	169
1988-89	4.5L 273ci VIN 3, 5	Exhaust Pipe, Front	1 Req	18313	313	169

SEVILLE

Year	Engine	Location	Qty.	ni Number	Item Number	See Page
1979-85	5.7L 350ci VIN N	Exhaust Pipe, Front, Left/Right	1 Req	18311	311	169
1979-85	5.7L 350ci VIN N	Exhaust Pipe, Front, w/Standard Flange	1 Req	18307	307	168

Flange Mounting Kits Application Information Cont.

CHEVROLET

BERETTA

Year	Engine	Location	Qty.	ni Number	Item Number	See Page
1987-88	2.1L 122ci VIN 1	Exhaust Pipe, Front	1 Req	18313	313	169
1990-96	2.2L 134ci VIN G, 4	Exhaust Pipe, Front	1 Req	18313	313	169
1990-94	2.3L 140ci VIN 2	Exhaust Pipe, Front	1 Req	18313	313	169
1987-88	2.8L 173ci VIN W	Exhaust Pipe, Front	1 Req	18313	313	169
1990-96	3.1L 189ci VIN M, T	Converter Inlet	1 Req	18313	313	169

BLAZER

Year	Engine	Location	Qty.	ni Number	Item Number	See Page
1995	4.3L 262ci VIN W	Exhaust Pipe, Left/Right	1 Req	18309	318	168
1992-94	5.0L 305ci VIN H	Exhaust Pipe, Right Side	1 Req	18309	318	168
1987	5.0L 305ci VIN H	Exhaust Pipe, Right Side	1 Req	18319	319	169

C10 PICKUP

Year	Engine	Location	Qty.	ni Number	Item Number	See Page
1985-86	4.3L 262ci VIN N	Exhaust Pipe, Left Side	1 Req	18319	319	169
1985-86	4.3L 262ci VIN N	Exhaust Pipe, Right Side	1 Req	18534	18534	170
1986	5.0L 305ci VIN F, H	Exhaust Pipe, Left Side	1 Req	18309	318	168
1986	5.0L 305ci VIN F, H	Exhaust Pipe, Left Side (w/GASKET 13841)	1 Req	18318	15318	169
1986	5.0L 305ci VIN F, H	Exhaust Pipe, Right Side	1 Req	18319	319	169
1985	5.0L 305ci VIN F, H	Exhaust Pipe, Left/Right	1 Req	18309	318	168
1985	5.0L 305ci VIN F, H	Exhaust Pipe, Left/Right (w/GASKET 13841)	1 Req	18318	15318	169
1983-84	5.7L 350ci VIN L	Exhaust Pipe, Right Side	1 Req	18319	319	169
1985-86	5.7L 350ci VIN M	Exhaust Pipe, Right Side	1 Req	18309	318	168

C10 SUBURBAN

Year	Engine	Location	Qty.	ni Number	Item Number	See Page
1986	5.0L 305ci VIN F, H	Exhaust Pipe, Left Side	1 Req	18309	318	168
1986	5.0L 305ci VIN F, H	Exhaust Pipe, Left Side (w/GASKET 13841)	1 Req	18318	15318	169
1986	5.0L 305ci VIN F, H	Exhaust Pipe, Right Side	1 Req	18319	319	169
1985	5.0L 305ci VIN F, H	Exhaust Pipe, Left/Right	1 Req	18309	318	168
1985	5.0L 305ci VIN F, H	Exhaust Pipe, Left/Right (w/GASKET 13841)	1 Req	18318	15318	169
1983-84	5.7L 350ci VIN L	Exhaust Pipe, Left Side	1 Req	18319	319	169
1985-86	5.7L 350ci VIN M	Exhaust Pipe, Left Side	1 Req	18305	18305	168
1985-86	5.7L 350ci VIN M	Exhaust Pipe, Right Side	1 Req	18534	18534	170

C1500 PICKUP

Year	Engine	Location	Qty.	ni Number	Item Number	See Page
1988-95	4.3L 262ci VIN Z	Exhaust Pipe, Left/Right	1 Req	18309	318	168
1988-95	4.3L 262ci VIN Z	Exhaust Pipe, Left/Right (w/GASKET 13841)	1 Req	18318	15318	169
1988-95	5.0L 305ci VIN H	Exhaust Pipe, Left/Right	1 Req	18309	318	168
1988-95	5.0L 305ci VIN H	Exhaust Pipe, Left/Right (w/GASKET 13841)	1 Req	18318	15318	169
1988-95	5.7L 350ci VIN K	Exhaust Pipe, Left/Right	1 Req	18309	318	168
1988-93	6.2L 379ci VIN C, J	Exhaust Pipe, Right Side (w/GASKET 13841)	1 Req	18318	15318	169
1990-93	7.4L 454ci VIN N	Exhaust Pipe, Left/Right	1 Req	18309	318	168

Flange Mounting Kits Application Information Cont.

CHEVROLET

C1500 SUBURBAN

Year	Engine	Location	Qty.	ni Number	Item Number	See Page
1992-95	5.7L 350ci VIN K	Exhaust Pipe, Left/Right	1 Req	18309	318	168

C20 PICKUP

Year	Engine	Location	Qty.	ni Number	Item Number	See Page
1985-86	4.3L 262ci VIN N	Exhaust Pipe, Right Side	1 Req	18319	319	169
1985-86	4.3L 262ci VIN N	Exhaust Pipe, Left Side	1 Req	18534	18534	170
1985-86	5.0L 305ci VIN H, L	Exhaust Pipe, Right Side	1 Req	18319	319	169
1985-86	5.7L 350ci VIN L, M	Exhaust Pipe, Right Side	1 Req	18319	319	169
1985-86	7.4L 454ci VIN W	Exhaust Pipe, Right Side	1 Req	18305	18305	168
1985-86	7.4L 454ci VIN W	Exhaust Pipe, Left Side	1 Req	18534	18534	170

C20 SUBURBAN

Year	Engine	Location	Qty.	ni Number	Item Number	See Page
1985-86	5.0L 305ci VIN H	Exhaust Pipe, Right Side	1 Req	18319	319	169
1985-86	5.7L 350ci VIN L, M	Exhaust Pipe, Right Side	1 Req	18319	319	169
1985-86	7.4L 454ci VIN W	Exhaust Pipe, Right Side	1 Req	18305	18305	168
1985-86	7.4L 454ci VIN W	Exhaust Pipe, Left Side	1 Req	18534	18534	170

C2500 PICKUP

Year	Engine	Location	Qty.	ni Number	Item Number	See Page
1988-95	4.3L 262ci VIN Z	Exhaust Pipe, Left/Right	1 Req	18309	318	168
1994-95	5.0L 305ci VIN H	Exhaust Pipe, Left/Right	1 Req	18309	318	168
1988-91	5.0L 305ci VIN H	Exhaust Pipe, Left/Right	1 Req	18309	318	168
1988-95	5.7L 350ci VIN K	Exhaust Pipe, Left/Right	1 Req	18309	318	168
1988-93	6.2L 379ci VIN C	Exhaust Pipe, Left Side	1 Req	18309	318	168
1988-93	6.2L 379ci VIN C	Exhaust Pipe, Right Side (w/GASKET 13841)	1 Req	18318	15318	169
1989-93	6.2L 379ci VIN J	Exhaust Pipe, Left/Right	1 Req	18309	318	168
1994-95	6.5L 395ci VIN P	Exhaust Pipe, Left/Right	1 Req	18309	318	168
1991-95	7.4L 454ci VIN N	Exhaust Pipe, Left/Right	1 Req	18309	318	168

C2500 SUBURBAN

Year	Engine	Location	Qty.	ni Number	Item Number	See Page
1992-95	5.7L 350ci VIN K	Exhaust Pipe, Left/Right	1 Req	18309	318	168
1992-95	7.4L 454ci VIN N	Exhaust Pipe, Left/Right	1 Req	18309	318	168

C30 PICKUP

Year	Engine	Location	Qty.	ni Number	Item Number	See Page
1985-86	4.8L 292 ci VIN T	Exhaust Pipe, Left/Right	1 Req	18534	18534	170
1986	5.0L 305ci VIN H	Exhaust Pipe, Right Side	1 Req	18319	319	169
1985-86	5.7L 350ci VIN M	Exhaust Pipe, Right Side, Calif	1 Req	18319	319	169
1985-86	5.7L 350ci VIN M	Exhaust Pipe, Right Side, Exc. Calif.	1 Req	18305	18305	168
1985-86	5.7L 350ci VIN M	Exhaust Pipe, Left Side, Exc. Calif.	1 Req	18534	18534	170

C3500 PICKUP

Year	Engine	Location	Qty.	ni Number	Item Number	See Page
1988-95	5.7L 350ci VIN K	Exhaust Pipe, Left/Right	1 Req	18309	318	168
1988-93	6.2L 379ci VIN J	Exhaust Pipe, Left/Right	1 Req	18309	318	168
1988-95	7.4L 454ci VIN N	Exhaust Pipe, Left/Right	1 Req	18309	318	168

Flange Mounting Kits Application Information Cont.

CHEVROLET

CAVALIER

Year	Engine	Location	Qty.	ni Number	Item Number	See Page
1982	1.8L 112ci VIN G	Exhaust Pipe, Front	1 Req	18313	313	169
1983-84	2.1L 122ci VIN B, P	Exhaust Pipe, Front	1 Req	18313	313	169
1992-96	2.2L 134ci VIN 4	Exhaust Pipe, Front	1 Req	18313	313	169
1990-91	2.2L 134ci VIN G	Exhaust Pipe, Front	1 Req	18313	313	169
1995	2.3L 138ci VIN D	Converter Inlet	1 Req	18313	313	169
1995-98	2.4L 146ci VIN T	Converter Inlet	1 Req	18313	313	169
1985-89	2.8L 173ci VIN W	Exhaust Pipe, Front	1 Req	18313	313	169
1990-94	3.1L 189ci VIN T	Exhaust Pipe, Front	1 Req	18313	313	169

CELEBRITY

Year	Engine	Location	Qty.	ni Number	Item Number	See Page
1982-90	2.5L 151ci VIN R	Exhaust Pipe, Front	1 Req	18313	313	169
1982-89	2.8L 173ci VIN W, X	Exhaust Pipe, Front	1 Req	18310	310	169
1990	3.1L 189ci VIN T	Exhaust Pipe, Front	1 Req	18310	310	169

CHEVETTE

Year	Engine	Location	Qty.	ni Number	Item Number	See Page
1981-86	1.8L 110ci VIN D	Exhaust Pipe, Front	1 Req	18310	310	169

EL CAMINO

Year	Engine	Location	Qty.	ni Number	Item Number	See Page
1983-84	3.8L 231ci VIN A	Exhaust Pipe, Right Side	1 Req	18314	18314	169
1983-84	5.7L 350ci VIN N	Exhaust Pipe, Right Side	1 Req	18314	18314	169

G20

Year	Engine	Location	Qty.	ni Number	Item Number	See Page
1994-95	6.5L 395ci VIN P	Exhaust Pipe, Left/Right	1 Req	18309	318	168
1994-95	6.5L 395ci VIN P	Exhaust Pipe, Right Side (w/GASKET 13841)	1 Req	18318	15318	169
1994-96	6.5L 395ci VIN Y	Exhaust Pipe, Right Side	1 Req	18309	318	168

K10 PICKUP

Year	Engine	Location	Qty.	ni Number	Item Number	See Page
1985-86	4.3L 262ci VIN N	Exhaust Pipe, Left Side	1 Req	18319	319	169
1985-86	4.3L 262ci VIN N	Exhaust Pipe, Right Side	1 Req	18534	18534	170
1985-86	5.0L 305ci VIN H	Exhaust Pipe, Right Side	1 Req	18534	18534	170
1985-86	5.7L 350ci VIN L	Exhaust Pipe, Right Side	1 Req	18319	319	169
1985-86	5.7L 350ci VIN M	Exhaust Pipe, Left Side	1 Req	18305	18305	168
1985-86	5.7L 350ci VIN M	Exhaust Pipe, Right Side	1 Req	18534	18534	170
1985-86	6.2L 379ci VIN C	Exhaust Pipe, Right Side (w/GASKET 13841)	1 Req	18538	15538	170

K10 SUBURBAN

Year	Engine	Location	Qty.	ni Number	Item Number	See Page
1986	5.0L 305ci VIN F, H	Exhaust Pipe, Left Side	1 Req	18309	318	168
1986	5.0L 305ci VIN F, H	Exhaust Pipe, Right Side	1 Req	18319	319	169
1986	5.0L 305ci VIN F, H	Exhaust Pipe, Left Side (w/GASKET 13841)	1 Req	18318	15318	169

Flange Mounting Kits Application Information Cont.

CHEVROLET

K10 SUBURBAN (continued)

Year	Engine	Location	Qty.	ni Number	Item Number	See Page
1985	5.0L 305ci VIN F, H	Exhaust Pipe, Left/Right	1 Req	18309	318	168
1985	5.0L 305ci VIN F, H	Exhaust Pipe, Left/Right (w/GASKET 13841)	1 Req	18318	15318	169
1983-84	5.7L 350ci VIN L	Exhaust Pipe, Right Side	1 Req	18319	319	169
1985-86	5.7L 350ci VIN M	Exhaust Pipe, Left Side	1 Req	18305	18305	168
1985-86	5.7L 350ci VIN M	Exhaust Pipe, Right Side	1 Req	18534	18534	170

K1500 SUBURBAN

Year	Engine	Location	Qty.	ni Number	Item Number	See Page
1992-95	5.7L 350Ci VIN K	Exhaust Pipe, Left/Right	1 Req	18309	318	168

K20 PICKUP

Year	Engine	Location	Qty.	ni Number	Item Number	See Page
1985	4.3L 262ci VIN Z	Exhaust Pipe, Left Side	1 Req	18534	18534	170
1985	4.3L 262ci VIN Z	Exhaust Pipe, Right Side	1 Req	18319	319	169
1985-86	4.8L 292ci VIN T	Exhaust Pipe	1 Req	18534	18534	170
1985	5.0L 305ci VIN H	Exhaust Pipe, Right Side	1 Req	18319	319	169
1985-86	5.7L 350ci VIN L, M	Exhaust Pipe, Right Side	1 Req	18319	319	169

K20 SUBURBAN

Year	Engine	Location	Qty.	ni Number	Item Number	See Page
1985-86	5.0L 305ci VIN H	Exhaust Pipe, Right Side	1 Req	18319	319	169
1985-86	5.7L 350ci VIN L, M	Exhaust Pipe, Right Side	1 Req	18319	319	169

K2500 PICKUP

Year	Engine	Location	Qty.	ni Number	Item Number	See Page
1988-95	4.3L 262ci VIN Z	Exhaust Pipe, Left/Right	1 Req	18309	318	168
1994-95	5.0L 305ci VIN H	Exhaust Pipe, Left/Right	1 Req	18309	318	168
1988-91	5.0L 305ci VIN H	Exhaust Pipe, Left/Right	1 Req	18309	318	168
1988-95	5.7L 350ci VIN K	Exhaust Pipe, Left/Right	1 Req	18309	318	168
1989-93	6.2L 379ci VIN C, J	Exhaust Pipe, Left/Right	1 Req	18309	318	168
1994-95	6.5L 395ci VIN P	Exhaust Pipe, Left/Right	1 Req	18309	318	168
1991-95	7.4L 454ci VIN N	Exhaust Pipe, Left/Right	1 Req	18309	318	168

K2500 PICKUP

Year	Engine	Location	Qty.	ni Number	Item Number	See Page
1992-95	5.7L 350ci VIN K	Exhaust Pipe, Left/Right	1 Req	18309	318	168
1992-95	7.4L 454ci VIN N	Exhaust Pipe, Left/Right	1 Req	18309	318	168

K30 PICKUP

Year	Engine	Location	Qty.	ni Number	Item Number	See Page
1983-86	4.8L 292ci VIN T	Exhaust Pipe Left/Right	1 Req	18534	18534	170
1985-85	5.7L 350ci VIN L	Exhaust Pipe, Right Side	1 Req	18534	18534	170
1985-86	5.7L 350ci VIN M	Exhaust Pipe, Right Side, Calif	1 Req	18319	319	169
1985-86	5.7L 350ci VIN M	Exhaust Pipe, Left Side, Exc. Calif.	1 Req	18534	18534	170
1985-86	5.7L 350ci VIN M	Exhaust Pipe, Right Side, Exc. Calif.	1 Req	18305	18305	168

Flange Mounting Kits Application Information Cont.

CHEVROLET

K30 PICKUP (continued)

Year	Engine	Location	Qty.	ni Number	Item Number	See Page
1983-86	7.4L 454ci VIN W	Exhaust Pipe, Left Side	1 Req	18534	18534	170
1983-86	7.4L 454ci VIN W	Exhaust Pipe, Right Side	1 Req	18305	18305	168

K3500 PICKUP

Year	Engine	Location	Qty.	ni Number	Item Number	See Page
1988-95	5.7L 350ci VIN K	Exhaust Pipe, Left/Right	1 Req	18309	318	168
1988-93	6.2L 379ci VIN J	Exhaust Pipe, Left/Right	1 Req	18309	318	168
1988-95	7.4L454ci VIN N	Exhaust Pipe, Left/Right	1 Req	18309	318	168

LUMINA

Year	Engine	Location	Qty.	ni Number	Item Number	See Page
1981-86	2.5L 151ci VIN R	Exhaust Pipe, Front	1 Req	18310	310	169
1990-99	3.1L 189ci VIN M, T	Exhaust Pipe, Front	1 Req	18310	310	169
1991-97	3.4L 204ci VIN X	Exhaust Pipe, Front	1 Req	18310	310	169
1998-99	3.8L 231ci VIN K	Exhaust Pipe, Front	1 Req	18310	310	169

LUMINA APV

Year	Engine	Location	Qty.	ni Number	Item Number	See Page
1990-95	3.1L 189ci VIN D	Exhaust Pipe, Left Side	1 Req	18310	310	169
1992-95	3.8L 231ci VIN L	Exhaust Pipe, Left Side	1 Req	18310	310	169

MALIBU

Year	Engine	Location	Qty.	ni Number	Item Number	See Page
1982-83	5.7L 350ci VIN N	Exhaust Pipe, Front	1 Req	18311	311	169

METRO

Year	Engine	Location	Qty.	ni Number	Item Number	See Page
1992	1.3L 79ci VIN 2	Exhaust Pipe, Front	1 Req	18304	18304	168
1999-01	1.3L 79ci VIN 9	Exhaust Pipe, Front	1 Req	18304	18304	168

MONTE CARLO

Year	Engine	Location	Qty.	ni Number	Item Number	See Page
1995-99	3.1L 189Ci VIN M	Exhaust Pipe, Front	1 Req	18310	310	169
1995-97	3.4L 204ci VIN X	Exhaust Pipe, Front	1 Req	18310	310	169
1980-83	3.8L 229ci VIN 9, A, K	Exhaust Pipe, Front	1 Req	18534	18534	170
1982-84	5.7L 350ci VIN N	Exhaust Pipe, Front	1 Req	18311	311	169

P30

Year	Engine	Location	Qty.	ni Number	Item Number	See Page
1994-95	6.5L 395ci VIN F	Exhaust Pipe, Left/Right	1 Req	18309	318	168
1990-97	7.4L 454ci VIN N	Exhaust Pipe, Left/Right	1 Req	18534	18534	170

R10 PICKUP

Year	Engine	Location	Qty.	ni Number	Item Number	See Page
1987	4.3L 262ci VIN Z	Exhaust Pipe, Left Side	1 Req	18319	319	169
1987	4.3L 262ci VIN Z	Exhaust Pipe, Right Side	1 Req	18534	18534	170

Flange Mounting Kits Application Information Cont.

CHEVROLET

R10 PICKUP

Year	Engine	Location	Qty.	ni Number	Item Number	See Page
1987	4.3L 262ci VIN Z	Exhaust Pipe, Right Side (w/GASKET 13841)	1 Req	18535	18535	170
1987	5.0L 305ci VIN H	Exhaust Pipe, Right Side	1 Req	18319	319	169

R10 SUBURBAN

Year	Engine	Location	Qty.	ni Number	Item Number	See Page
1987	5.0L 305ci VIN H	Exhaust Pipe, Right Side	1 Req	18319	319	169

R20 PICKUP

Year	Engine	Location	Qty.	ni Number	Item Number	See Page
1987	4.3L 262ci VIN Z	Exhaust Pipe, Left Side	1 Req	18319	319	169
1987	4.3L 262ci VIN Z	Exhaust Pipe, Right Side	1 Req	18534	18534	170
1987	4.3L 262ci VIN Z	Exhaust Pipe, Right Side (w/GASKET 13841)	1 Req	18535	18535	170
1987-88	4.8L 292ci VIN T	Exhaust Pipe, Front	1 Req	18534	18534	170
1987-88	4.8L 292ci VIN T	Exhaust Pipe, Front (w/GASKET 13841)	1 Req	18535	18535	170
1987	5.0L 305ci VIN H	Exhaust Pipe, Right Side	1 Req	18319	319	169

R20 SUBURBAN

Year	Engine	Location	Qty.	ni Number	Item Number	See Page
1988	5.7L 350ci VIN K	Exhaust Pipe, Right Side	1 Req	18535	18535	170

R2500 SUBURBAN

Year	Engine	Location	Qty.	ni Number	Item Number	See Page
1987-88	5.7L 350ci VIN K	Exhaust Pipe, Front (w/GASKET 13841)	1 Req	18535	18535	170
1989-91	7.4L 454ci VIN N	Exhaust Pipe, Right Side	1 Req	18534	18534	170

R30 PICKUP

Year	Engine	Location	Qty.	ni Number	Item Number	See Page
1987-88	4.8L 292ci VIN T	Exhaust Pipe, Front	1 Req	18534	18534	170
1987-88	4.8L 292ci VIN T	Exhaust Pipe, Front (w/GASKET 13841)	1 Req	18535	18535	170
1987-88	5.7L 350ci VIN M	Exhaust Pipe, Right Side	1 Req	18534	18534	170
1987-88	6.2L 379ci VIN J	Exhaust Pipe, Left/Right	1 Req	18309	318	168
1987-88	7.4L 454ci VIN W	Exhaust Pipe, Right Side	1 Req	18305	18305	168
1987-88	7.4L 454ci VIN W	Exhaust Pipe, Left Side	1 Req	18534	18534	170

R3500

Year	Engine	Location	Qty.	ni Number	Item Number	See Page
1989-91	6.2L 379ci VIN J	Exhaust Pipe, Left/Right	1 Req	18534	18534	170
1989-91	7.4L 454ci VIN N	Exhaust Pipe, Right Side	1 Req	18534	18534	170
1989	7.4L 454ci VIN W	Exhaust Pipe, Left Side	1 Req	18534	18534	170
1989	7.4L 454ci VIN W	Exhaust Pipe, Right Side	1 Req	18305	18305	168

S10 BLAZER

Year	Engine	Location	Qty.	ni Number	Item Number	See Page
1983-84	1.9L 119ci VIN A	Exhaust Pipe, Front	1 Req	18310	310	169
1983-84	2.0L 122ci VIN Y	Exhaust Pipe, Front	1 Req	18310	310	169
1984	2.2L 134ci VIN S	Exhaust Pipe, Front	1 Req	18310	310	169
1985-88	2.5L 151ci VIN E	Exhaust Pipe, Front	1 Req	18310	310	169

Flange Mounting Kits Application Information Cont.

CHEVROLET

S10 BLAZER (continued)

Year	Engine	Location	Qty.	ni Number	Item Number	See Page
1983-90	2.8L 173ci VIN B, R	Exhaust Pipe, Left/Right	1 Req	18310	310	169
1992-94	4.3L 262ci VIN W	Exhaust Pipe, Left/Right	1 Req	18309	318	168
1991-95	4.3L 262ci VIN Z	Exhaust Pipe, Left/Right	1 Req	18309	318	168

S10 PICKUP

Year	Engine	Location	Qty.	ni Number	Item Number	See Page
1982-85	1.9L 119ci VIN A	Exhaust Pipe, Front	1 Req	18310	310	169
1983-84	2.0L 122ci VIN Y	Exhaust Pipe, Front	1 Req	18310	310	169
1994-95	2.2L 134ci VIN 4	Exhaust Pipe, Front	1 Req	18310	310	169
1983-85	2.2L 134ci VIN S	Exhaust Pipe, Front	1 Req	18310	310	169
1991-93	2.5L 151ci VIN A	Exhaust Pipe, Front	1 Req	18310	310	169
1985-91	2.5L 151ci VIN E	Exhaust Pipe, Front	1 Req	18310	310	169
1982-93	2.8L 173ci VIN B, R	Exhaust Pipe, Left/Right	1 Req	18310	310	169
1994-95	4.3L 262ci VIN W	Exhaust Pipe, Left/Right	1 Req	18309	318	168
1991-95	4.3L 262ci VIN Z	Exhaust Pipe, Left/Right	1 Req	18309	318	168

SPRINT

Year	Engine	Location	Qty.	ni Number	Item Number	See Page
1989-91	1.0L 61ci VIN 2	Exhaust Pipe, Front	1 Req	18304	18304	168
1989-91	1.0L 61ci VIN 6	Exhaust Pipe, Front	1 Req	18304	18304	168

TAHOE

Year	Engine	Location	Qty.	ni Number	Item Number	See Page
1995	5.7L 350ci VIN K	Exhaust Pipe, Left/Right	1 Req	18309	318	168

TRACKER

Year	Engine	Location	Qty.	ni Number	Item Number	See Page
2001-02	1.6L 98ci VIN 6	Exhaust Pipe, Front, Canada	2 Req	18304	18304	168
2001-02	1.6L 98ci VIN 6	Exhaust Pipe, Rear, Canada	2 Req	18304	18304	168
1999-00	1.6L 98ci VIN 6	Exhaust Pipe, Front, Exc. Calif.	2 Req	18304	18304	168
1999-00	1.6L 98ci VIN 6	Exhaust Pipe, Rear, Exc. Calif.	2 Req	18304	18304	168
1999-00	1.6L 98ci VIN 6	Manifold Mounted Converter, Calif, Front	2 Req	18304	18304	168
1998	1.6L 98ci VIN 6	Exhaust Pipe, Front, Rear	2 Req	18304	18304	168
1989-91	1.6L 98ci VIN U	Muffler Inlet	2 Req	18304	18304	168
1999-03	2.1L 122ci VIN C	Manifold Mounted Converter, Front, Calif.	2 Req	18304	18304	168
1999-03	2.1L 122ci VIN C	Exhaust Pipe Exc. Calif., Front	2 Req	18304	18304	168
1999-03	2.1L 122ci VIN C	Exhaust Pipe Exc. Calif., Rear	2 Req	18304	18304	168
2001-04	2.5L 2500cc VIN 4	Exhaust Pipe, Rear	2 Req	18304	18304	168

V10 PICKUP

Year	Engine	Location	Qty.	ni Number	Item Number	See Page
1987	4.3L 262ci VIN Z	Exhaust Pipe, Left Side	1 Req	18319	319	169
1987	4.3L 262ci VIN Z	Exhaust Pipe, Right Side	1 Req	18534	18534	170
1987	4.3L 262ci VIN Z	Exhaust Pipe, Right Side (w/GASKET 13841)	1 Req	18535	18535	170

Flange Mounting Kits Application Information Cont.

CHEVROLET

V10 PICKUP (continued)

Year	Engine	Location	Qty.	ni Number	Item Number	See Page
1987	5.0L 305ci VIN H	Exhaust Pipe, Right Side	1 Req	18319	319	169
1987	5.7L 350ci VIN K	Exhaust Pipe, Right Side (w/GASKET 13841)	1 Req	18535	18535	170

V20 PICKUP

Year	Engine	Location	Qty.	ni Number	Item Number	See Page
1987-88	4.8L 292ci VIN T	Exhaust Pipe, Front	1 Req	18534	18534	170
1987-88	4.8L 292ci VIN T	Exhaust Pipe, Front	1 Req	18535	18535	170

V2500 SUBURBAN

Year	Engine	Location	Qty.	ni Number	Item Number	See Page
1990-90	7.4L 454ci VIN N	Exhaust Pipe, Right Side	1 Req	18534	18534	170

V30 PICKUP

Year	Engine	Location	Qty.	ni Number	Item Number	See Page
1987-88	4.8L 292ci VIN T	Exhaust Pipe, Front	1 Req	18534	18534	170
1987-88	5.7L 350Ci VIN M	Exhaust Pipe, Right Side	1 Req	18534	18534	170
1987-88	5.7L 350Ci VIN M	Exhaust Pipe, Left Side	1 Req	18305	18305	168
1987-88	7.4L 454 VIN N	Exhaust Pipe, Right Side	1 Req	18534	18534	170
1987-88	7.4L 454ci VIN W	Exhaust Pipe, Right Side	1 Req	18305	18305	168
1987-88	7.4L 454ci VIN W	Exhaust Pipe, Left Side	1 Req	18534	18534	170

V3500 PICKUP

Year	Engine	Location	Qty.	ni Number	Item Number	See Page
1989-91	7.4L 454ci VIN N	Exhaust Pipe, Right Side	1 Req	18534	18534	170
1989	7.4L 454ci VIN W	Exhaust Pipe, Left Side	1 Req	18534	18534	170
1989	7.4L 454ci VIN W	Exhaust Pipe, Right Side	1 Req	18305	18305	168

CHRYSLER

CIRRUS

Year	Engine	Location	Qty.	ni Number	Item Number	See Page
1995-97	2.4L 148ci VIN X	Exhaust Pipe, Front, w/Retainer Nuts	1 Req	18539	18539	166
1995-97	2.4L 148ci VIN X	Exhaust Pipe, Front, w/o Retainer Nuts	1 Req	18194	194	166
1995-97	2.5L 152ci VIN H	Exhaust Pipe, Front, w/Retainer Nuts	1 Req	18539	18539	166
1995-97	2.5L 152ci VIN H	Exhaust Pipe, Front, w/o Retainer Nuts	1 Req	18194	194	166

E-CLASS

Year	Engine	Location	Qty.	ni Number	Item Number	See Page
1984	2.2L 135ci VIN E	Exhaust Pipe, Front, w/Retainer Nuts	1 Req	18539	18539	166
1984	2.2L 135ci VIN E	Exhaust Pipe, Front, w/o Retainer Nuts	1 Req	18194	194	166
1984	2.6L 156ci VIN G	Exhaust Pipe, Front, w/Retainer Nuts	1 Req	18539	18539	166
1983-84	2.6L 156ci VIN G	Exhaust Pipe, Front, w/o Retainer Nuts	1 Req	18194	194	166

EXECUTIVE SEDAN

Year	Engine	Location	Qty.	ni Number	Item Number	See Page
1983-85	2.6L 156ci VIN G	Exhaust Pipe, Front, w/Retainer Nuts	1 Req	18539	18539	166
1983-85	2.6L 156ci VIN G	Exhaust Pipe, Front, w/o Retainer Nuts	1 Req	18194	194	166

Flange Mounting Kits Application Information Cont.

CHRYSLER

EXECUTIVE SEDAN (continued)

Year	Engine	Location	Qty.	ni Number	Item Number	See Page
1983-85	2.6L 156ci VIN G	Exhaust Pipe, Front, w/Split Flange	1 Req	18192	192	166

IMPERIAL

Year	Engine	Location	Qty.	ni Number	Item Number	See Page
1990-91	3.3L 201ci VIN R	Exhaust Pipe, Front, w/Retainer Nuts	1 Req	18539	18539	166
1990-91	3.3L 201ci VIN R	Exhaust Pipe, Front, w/o Retainer Nuts	1 Req	18194	194	166
1991-93	3.8L 230ci VIN L	Exhaust Pipe, Front, w/Retainer Nuts	1 Req	18539	18539	166
1991-93	3.8L 230ci VIN L	Exhaust Pipe, Front, w/o Retainer Nuts	1 Req	18194	194	166

LASER

Year	Engine	Location	Qty.	ni Number	Item Number	See Page
1984-86	2.2L 135ci VIN D, E, K	Exhaust Pipe, Front, w/Retainer Nuts	1 Req	18539	18539	166
1984-86	2.2L 135ci VIN D, E, K	Exhaust Pipe, Front, w/o Retainer Nuts	1 Req	18194	194	166

LEBARON

Year	Engine	Location	Qty.	ni Number	Item Number	See Page
1989	2.2L 135ci VIN A	Exhaust Pipe, Front, w/Retainer Nuts	1 Req	18539	18539	166
1989	2.2L 135ci VIN A	Exhaust Pipe, Front, w/o Retainer Nuts	1 Req	18194	194	166
1989	2.2L 135ci VIN A	Exhaust Pipe, Front, w/Split Flange	1 Req	18192	192	166
1982	2.2L 135ci VIN B	Exhaust Pipe, Front, w/Retainer Nuts	1 Req	18539	18539	166
1982	2.2L 135ci VIN B	Exhaust Pipe, Front, w/o Retainer Nuts	1 Req	18194	194	166
1982	2.2L 135ci VIN B	Exhaust Pipe, Front, w/Split Flange	1 Req	18192	192	166
1984-93	2.2L 135ci VIN C, D, E, J, K	Exhaust Pipe, Front, w/Retainer Nuts	1 Req	18539	18539	166
1984-93	2.2L 135ci VIN C, D, E, J, K	Exhaust Pipe, Front, w/o Retainer Nuts	1 Req	18194	194	166
1984-93	2.2L 135ci VIN C, D, E, J, K	Exhaust Pipe, Front, w/Split Flange	2 Req	18192	192	166
1993	2.5L 153ci VIN V	Exhaust Pipe, Front, w/Retainer Nuts	1 Req	18539	18539	166
1993	2.5L 153ci VIN V	Exhaust Pipe, Front, w/o Retainer Nuts	1 Req	18194	194	166
1993	2.5L 153ci VIN V	Exhaust Pipe, Front, w/Split Flange	1 Req	18192	192	166
1982-85	2.6L 156ci VIN D, G	Exhaust Pipe, Front, w/Retainer Nuts	1 Req	18539	18539	166
1982-85	2.6L 156ci VIN D, G	Exhaust Pipe, Front, w/o Retainer Nuts	1 Req	18194	194	166
1982-85	2.6L 156ci VIN D, G	Exhaust Pipe, Front, w/Split Flange	1 Req	18192	192	166
1990-95	3.0L 181ci VIN 3	Exhaust Pipe, Front, w/Retainer Nuts	1 Req	18539	18539	166
1990-95	3.0L 181ci VIN 3	Exhaust Pipe, Front, w/o Retainer Nuts	1 Req	18194	194	166
1990	3.0L 181ci VIN 3	Exhaust Pipe, Front, w/Split Flange	1 Req	18192	192	166

NEW YORKER

Year	Engine	Location	Qty.	ni Number	Item Number	See Page
1983-88	2.2L 135ci VIN C, D, E, K	Exhaust Pipe, Front, w/Retainer Nuts	1 Req	18539	18539	166
1983-88	2.2L 135ci VIN C, D, E, K	Exhaust Pipe, Front, w/o Retainer Nuts	1 Req	18194	194	166
1983-88	2.2L 135ci VIN C, D, E, K	Exhaust Pipe, Front, w/Split Flange	1 Req	18192	192	166
1983-85	2.6L 156ci VIN G	Exhaust Pipe, Front, w/Retainer Nuts	1 Req	18539	18539	166
1983-85	2.6L 156ci VIN G	Exhaust Pipe, Front, w/o Retainer Nuts	1 Req	18194	194	166
1983-85	2.6L 156ci VIN G	Exhaust Pipe, Front, w/Split Flange	1 Req	18192	192	166
1988-90	3.0L 181ci VIN 3	Exhaust Pipe, Front, w/Retainer Nuts	1 Req	18539	18539	166
1988-90	3.0L 181ci VIN 3	Exhaust Pipe, Front, w/o Retainer Nuts	1 Req	18194	194	166
1990-93	3.3L 201ci VIN R	Exhaust Pipe, Front, w/Retainer Nuts	1 Req	18539	18539	166
1990-93	3.3L 201ci VIN R	Exhaust Pipe, Front, w/o Retainer Nuts	1 Req	18194	194	166

Flange Mounting Kits Application Information Cont.

CHRYSLER

NEW YORKER (continued)

Year	Engine	Location	Qty.	ni Number	Item Number	See Page
1991-93	3.8L 230ci VIN L	Exhaust Pipe, Front, w/Retainer Nuts	1 Req	18539	18539	166
1991-93	3.8L 230ci VIN L	Exhaust Pipe, Front, w/o Retainer Nuts	1 Req	18194	194	166

SEBRING

Year	Engine	Location	Qty.	ni Number	Item Number	See Page
1995-96	2.1L 122ci VIN Y	Exhaust Pipe, Front, w/Retainer Nuts	1 Req	18539	18539	166
1995-96	2.1L 122ci VIN Y	Exhaust Pipe, Front, w/o Retainer Nuts	1 Req	18194	194	166

TC MASERATI

Year	Engine	Location	Qty.	ni Number	Item Number	See Page
1989	2.2L 135ci VIN P	Exhaust Pipe, Front, w/Retainer Nuts	1 Req	18539	18539	166
1989	2.2L 135ci VIN P	Exhaust Pipe, Front, w/o Retainer Nuts	1 Req	18194	194	166
1989-90	2.2L 135ci VIN R	Exhaust Pipe, Front, w/Retainer Nuts	1 Req	18539	18539	166
1989-90	2.2L 135ci VIN R	Exhaust Pipe, Front, w/o Retainer Nuts	1 Req	18194	194	166
1989-90	2.2L 135ci VIN R	Exhaust Pipe, Front, w/Split Flange	1 Req	18192	192	166
1990-91	3.0L 181ci VIN S	Exhaust Pipe, Front, w/Retainer Nuts	1 Req	18539	18539	166
1990-91	3.0L 181ci VIN S	Exhaust Pipe, Front, w/o Retainer Nuts	1 Req	18194	194	166

TOWN & COUNTRY

Year	Engine	Location	Qty.	ni Number	Item Number	See Page
1982-88	2.2L 135ci VIN B, C, E	Exhaust Pipe, Front, w/Retainer Nuts	1 Req	18539	18539	166
1982-88	2.2L 135ci VIN B, C, E	Exhaust Pipe, Front, w/o Retainer Nuts	1 Req	18194	194	166
1982-88	2.2L 135ci VIN B, C, E	Exhaust Pipe, Front, w/Split Flange	1 Req	18192	192	166
1986-88	2.5L 153ci VIN K	Exhaust Pipe, Front, w/Retainer Nuts	1 Req	18539	18539	166
1986-88	2.5L 153ci VIN K	Exhaust Pipe, Front, w/o Retainer Nuts	1 Req	18194	194	166
1986-88	2.5L 153ci VIN K	Exhaust Pipe, Front, w/Split Flange	1 Req	18192	192	166
1982-85	2.6L 156ci VIN D, G	Exhaust Pipe, Front, w/Retainer Nuts	1 Req	18539	18539	166
1982-85	2.6L 156ci VIN D, G	Exhaust Pipe, Front, w/o Retainer Nuts	1 Req	18194	194	166
1982-85	2.6L 156ci VIN D, G	Exhaust Pipe, Front, w/Split Flange	1 Req	18192	192	166
1990-93	3.3L 201ci VIN R	Exhaust Pipe, Front, w/Retainer Nuts	1 Req	18539	18539	166
1990-93	3.3L 201ci VIN R	Converter Inlet, w/o Retainer Nuts	1 Req	18194	194	166
1994-95	3.8L 230ci VIN L	Exhaust Pipe, Front, w/Retainer Nuts	1 Req	18539	18539	166
1994-95	3.8L 230ci VIN L	Converter Inlet, w/o Retainer Nuts	1 Req	18194	194	166

DODGE

400

Year	Engine	Location	Qty.	ni Number	Item Number	See Page
1982-83	2.2L 135ci VIN B	Exhaust Pipe, Front, w/Retainer Nuts	1 Req	18539	18539	166
1982-83	2.2L 135ci VIN B	Exhaust Pipe, Front, w/o Retainer Nuts	1 Req	18194	194	166
1982-83	2.2L 135ci VIN B	Exhaust Pipe, Front, w/Split Flange	1 Req	18192	192	166
1982-83	2.6L 156ci VIN D, G	Exhaust Pipe, Front, w/Retainer Nuts	1 Req	18539	18539	166
1982-83	2.6L 156ci VIN D, G	Exhaust Pipe, Front, w/o Retainer Nuts	1 Req	18194	194	166
1982-83	2.6L 156ci VIN D, G	Exhaust Pipe, Front, w/Split Flange	1 Req	18192	192	166

600

Year	Engine	Location	Qty.	ni Number	Item Number	See Page
1983-88	2.2L 135ci VIN C, D, E, K	Exhaust Pipe, Front, w/Retainer Nuts	1 Req	18539	18539	166
1983-88	2.2L 135ci VIN C, D, E, K	Exhaust Pipe, Front, w/o Retainer Nuts	1 Req	18194	194	166

Flange Mounting Kits Application Information Cont.

DODGE

600 (continued)

Year	Engine	Location	Qty.	ni Number	Item Number	See Page
1983-88	2.2L 135ci VIN C, D, E, K	Exhaust Pipe, Front, w/Split Flange	1 Req	18192	192	166
1983-85	2.6L 156ci VIN G	Exhaust Pipe, Front, w/Retainer Nuts	1 Req	18539	18539	166
1983-85	2.6L 156ci VIN G	Exhaust Pipe, Front, w/o Retainer Nuts	1 Req	18194	194	166
1983-85	2.6L 156ci VIN G	Exhaust Pipe, Front, w/Split Flange	1 Req	18192	192	166

ARIES

Year	Engine	Location	Qty.	ni Number	Item Number	See Page
1981-89	2.2L 135ci VIN B, C, D, K	Exhaust Pipe, Front, w/Retainer Nuts	1 Req	18539	18539	166
1981-89	2.2L 135ci VIN B, C, D, K	Exhaust Pipe, Front, w/o Retainer Nuts	1 Req	18194	194	166
1981-89	2.2L 135ci VIN B, C, D, K	Exhaust Pipe, Front, w/Split Flange	1 Req	18192	192	166
1981-85	2.6L 156ci VIN D, G	Exhaust Pipe, Front, w/Retainer Nuts	1 Req	18539	18539	166
1981-85	2.6L 156ci VIN D, G	Exhaust Pipe, Front, w/o Retainer Nuts	1 Req	18194	194	166
1981-85	2.6L 156ci VIN D, G	Exhaust Pipe, Front, w/Split Flange	1 Req	18192	192	166

CARAVAN

Year	Engine	Location	Qty.	ni Number	Item Number	See Page
1984-87	2.2L 135ci VIN C	Converter Inlet	1 Req	18194	194	166
1984-87	2.2L 135ci VIN C	Converter Inlet, w/Retainer Nuts	1 Req	18539	18539	166
1984-87	2.2L 135ci VIN C	Exhaust Pipe, Front, w/Split Flange	1 Req	18192	192	166
1988-95	2.5L 153ci VIN J, K	Converter Inlet, w/Retainer Nuts	1 Req	18539	18539	166
1988-95	2.5L 153ci VIN J, K	Converter Inlet, w/o Retainer Nuts	1 Req	18194	194	166
1988-95	2.5L 153ci VIN J, K	Exhaust Pipe, Front, w/Split Flange	1 Req	18192	192	166
1984-87	2.6L 156ci VIN G	Converter Inlet, w/Retainer Nuts	1 Req	18539	18539	166
1984-87	2.6L 156ci VIN G	Converter Inlet, w/o Retainer Nuts	1 Req	18194	194	166
1984-87	2.6L 156ci VIN G	Exhaust Pipe, Front, w/Split Flange	1 Req	18192	192	166
1987-95	3.0L 181ci VIN 3	Converter Inlet, w/Retainer Nuts	1 Req	18539	18539	166
1987-95	3.0L 181ci VIN 3	Converter Inlet, w/o Retainer Nuts	1 Req	18194	194	166
1994-95	3.3L 201ci VIN J	Converter Inlet, w/Retainer Nuts	1 Req	18539	18539	166
1994-95	3.3L 201ci VIN J	Converter Inlet, w/o Retainer Nuts	1 Req	18194	194	166
1990-95	3.3L 201ci VIN R	Converter Inlet, w/Retainer Nuts	1 Req	18539	18539	166
1990-95	3.3L 201ci VIN R	Converter Inlet, w/o Retainer Nuts	1 Req	18194	194	166

CHARGER

Year	Engine	Location	Qty.	ni Number	Item Number	See Page
1983-86	2.2L 135ci VIN 8, A, C	Exhaust Pipe, Front, w/Retainer Nuts	1 Req	18539	18539	166
1983-86	2.2L 135ci VIN 8, A, C	Exhaust Pipe, Front, w/o Retainer Nuts	1 Req	18194	194	166
1983-86	2.2L 135ci VIN 8, A, C	Exhaust Pipe, Front, w/Split Flange	1 Req	18192	192	166

DAYTONA

Year	Engine	Location	Qty.	ni Number	Item Number	See Page
1987-93	2.2L 135ci VIN A	Exhaust Pipe, Front, w/Retainer Nuts	1 Req	18539	18539	166
1987-33	2.2L 135ci VIN A	Exhaust Pipe, Front, w/o Retainer Nuts	1 Req	18194	194	166
1984-89	2.2L 135ci VIN A, E (Turbo)	Exhaust Pipe, Front, w/Retainer Nuts	1 Req	18539	18539	166
1984-89	2.2L 135ci VIN A, E (Turbo)	Exhaust Pipe, Front, w/o Retainer Nuts	1 Req	18194	194	166
1990	2.2L 135ci VIN C	Exhaust Pipe, Front, w/Retainer Nuts	1 Req	18539	18539	166
1990	2.2L 135ci VIN C	Exhaust Pipe, Front, w/o Retainer Nuts	1 Req	18194	194	166
1990	2.2L 135ci VIN C (Turbo)	Exhaust Pipe, Front, w/Retainer Nuts	1 Req	18539	18539	166
1990	2.2L 135ci VIN C (Turbo)	Exhaust Pipe, Front, w/o Retainer Nuts	1 Req	18194	194	166

Flange Mounting Kits Application Information Cont.

DODGE

DAYTONA (continued)

Year	Engine	Location	Qty.	ni Number	Item Number	See Page
1984-86	2.2L 135ci VIN D	Exhaust Pipe, Front, w/Retainer Nuts	1 Req	18539	18539	166
1984-86	2.2L 135ci VIN D	Exhaust Pipe, Front, w/o Retainer Nuts	1 Req	18194	194	166
1984-86	2.2L 135ci VIN D	Exhaust Pipe, Front, w/Split Flange	1 Req	18192	192	166
1984-88	2.2L 135ci VIN E	Exhaust Pipe, Front, w/Retainer Nuts	1 Req	18539	18539	166
1984-88	2.2L 135ci VIN E	Exhaust Pipe, Front, w/o Retainer Nuts	1 Req	18194	194	166
1984-88	2.2L 135ci VIN E	Exhaust Pipe, Front, w/Split Flange	1 Req	18192	192	166
1989-92	2.5L 153ci VIN J (Turbo)	Exhaust Pipe, Front, w/Retainer Nuts	1 Req	18539	18539	166
1989-92	2.5L 153ci VIN J (Turbo)	Exhaust Pipe, Front, w/o Retainer Nuts	1 Req	18194	194	166
1987-92	2.5L 153ci VIN J	Exhaust Pipe, Front, w/Retainer Nuts	1 Req	18539	18539	166
1987-92	2.5L 153ci VIN J	Exhaust Pipe, Front, w/o Retainer Nuts	1 Req	18194	194	166
1986-93	2.5L 153ci VIN K	Exhaust Pipe, Front, w/Retainer Nuts	1 Req	18539	18539	166
1986-93	2.5L 153ci VIN K	Exhaust Pipe, Front, w/o Retainer Nuts	1 Req	18194	194	166
1986-93	2.5L 153ci VIN K	Exhaust Pipe, Front, w/Split Flange	1 Req	18192	192	166
1990-93	3.0L 181ci VIN 3	Exhaust Pipe, Front, w/Retainer Nuts	1 Req	18539	18539	166
1990-93	3.0L 181ci VIN 3	Exhaust Pipe, Front, w/o Retainer Nuts	1 Req	18194	194	166

DYNASTY

Year	Engine	Location	Qty.	ni Number	Item Number	See Page
1988-93	2.5L 153ci VIN K	Exhaust Pipe, Front, w/Retainer Nuts	1 Req	18539	18539	166
1988-93	2.5L 153ci VIN K	Exhaust Pipe, Front, w/o Retainer Nuts	1 Req	18194	194	166
1989-93	3.0L 181ci VIN 3	Exhaust Pipe, Front, w/Retainer Nuts	1 Req	18539	18539	166
1989-93	3.0L 181ci VIN 3	Exhaust Pipe, Front, w/o Retainer Nuts	1 Req	18194	194	166
1990-93	3.3L 201ci VIN R	Exhaust Pipe, Front, w/Retainer Nuts	1 Req	18539	18539	166
1990-93	3.3L 201ci VIN R	Exhaust Pipe, Front, w/o Retainer Nuts	1 Req	18194	194	166

GRAND CARAVAN

Year	Engine	Location	Qty.	ni Number	Item Number	See Page
1988	2.5L 153ci VIN K	Converter Inlet, w/Retainer Nuts	1 Req	18539	18539	166
1988	2.5L 153ci VIN K	Converter Inlet, w/o Retainer Nuts	1 Req	18194	194	166
1988	2.5L 153ci VIN K	Exhaust Pipe, Front, w/Split Flange	1 Req	18192	192	166
1988-95	3.0L 181ci VIN 3	Converter Inlet, w/Retainer Nuts	1 Req	18539	18539	166
1988-95	3.0L 181ci VIN 3	Converter Inlet, w/o Retainer Nuts	1 Req	18194	194	166
1990-95	3.3L 201ci VIN R	Converter Inlet, w/Retainer Nuts	1 Req	18539	18539	166
1990-95	3.3L 201ci VIN R	Converter Inlet, w/o Retainer Nuts	1 Req	18194	194	166
1994-95	3.8L 230ci VIN L	Converter Inlet, w/Retainer Nuts	1 Req	18539	18539	166
1994-95	3.8L 230ci VIN L	Converter Inlet, w/o Retainer Nuts	1 Req	18194	194	166

LANCER

Year	Engine	Location	Qty.	ni Number	Item Number	See Page
1988-89	2.2L 135ci VIN A (Turbo)	Exhaust Pipe, Front, w/Retainer Nuts	1 Req	18539	18539	166
1988-89	2.2L 135ci VIN A (Turbo)	Exhaust Pipe, w/o Retainer Nuts	1 Req	18194	194	166
1985-89	2.2L 135ci VIN D	Exhaust Pipe, Front, w/Retainer Nuts	1 Req	18539	18539	166
1985-89	2.2L 135ci VIN D	Exhaust Pipe, w/o Retainer Nuts	1 Req	18194	194	166

Flange Mounting Kits Application Information Cont.

DODGE

LANCER (continued)

Year	Engine	Location	Qty.	ni Number	Item Number	See Page
1985-89	2.2L 135ci VIN D	Exhaust Pipe, Front, w/Split Flange	1 Req	18192	192	166
1985-88	2.2L 135ci VIN E	Exhaust Pipe, Front, w/Retainer Nuts	1 Req	18539	18539	166
1985-88	2.2L 135ci VIN E	Exhaust Pipe, w/o Retainer Nuts	1 Req	18194	194	166
1989	2.5L 153ci VIN J (Turbo)	Exhaust Pipe, Front, w/Retainer Nuts	1 Req	18539	18539	166
1989	2.5L 153ci VIN J (Turbo)	Exhaust Pipe, w/o Retainer Nuts	1 Req	18194	194	166
1989	2.5L 153ci VIN J (Turbo)	Exhaust Pipe, Front, w/Split Flange	1 Req	18192	192	166
1986-89	2.5L 153ci VIN K	Exhaust Pipe, Front, w/Retainer Nuts	1 Req	18539	18539	166
1986-89	2.5L 153ci VIN K	Exhaust Pipe, w/o Retainer Nuts	1 Req	18194	194	166
1986-89	2.5L 153ci VIN K	Exhaust Pipe, Front, w/Split Flange	1 Req	18192	192	166

MINI RAM VAN

Year	Engine	Location	Qty.	ni Number	Item Number	See Page
1984-87	2.2L 135ci VIN C	Converter Inlet, w/Retainer Nuts	1 Req	18539	18539	166
1984-87	2.2L 135ci VIN C	Converter Inlet, w/o Retainer Nuts	1 Req	18194	194	166
1984-87	2.2L 135ci VIN C	Exhaust Pipe, Front, w/Split Flange	1 Req	18192	192	166
1987-88	2.5L 153ci VIN K	Converter Inlet, w/Retainer Nuts	1 Req	18539	18539	166
1987-88	2.5L 153ci VIN K	Converter Inlet, w/o Retainer Nuts	1 Req	18194	194	166
1987-88	2.5L 153ci VIN K	Exhaust Pipe, Front, w/Split Flange	1 Req	18192	192	166
1984-87	2.6L 156ci VIN G	Converter Inlet, w/Retainer Nuts	1 Req	18539	18539	166
1984-87	2.6L 156ci VIN G	Converter Inlet, w/o Retainer Nuts	1 Req	18194	194	166
1984-87	2.6L 156ci VIN G	Exhaust Pipe, Front, w/Split Flange	1 Req	18192	192	166
1987-88	3.0L 181ci VIN 3	Converter Inlet, w/Retainer Nuts	1 Req	18539	18539	166
1987-88	3.0L 181ci VIN 3	Converter Inlet, w/o Retainer Nuts	1 Req	18194	194	166

NEON

Year	Engine	Location	Qty.	ni Number	Item Number	See Page
1995-99	2.0L 122ci VIN C, Y	Exhaust Pipe, Front, w/Retainer Nuts	1 Req	18539	18539	166
1995-99	2.0L 122ci VIN C, Y	Exhaust Pipe, Front, w/o Retainer Nuts	1 Req	18194	194	166

OMNI

Year	Engine	Location	Qty.	ni Number	Item Number	See Page
1983-86	1.6L 97ci VIN A	Exhaust Pipe, Front, w/Retainer Nuts	1 Req	18539	18539	166
1983-86	1.6L 97ci VIN A	Exhaust Pipe, Front, w/o Retainer Nuts	1 Req	18194	194	166
1983-86	1.6L 97ci VIN A	Exhaust Pipe, Front, w/Split Flange	1 Req	18192	192	166
1982-83	1.7L 105ci VIN A, B	Exhaust Pipe, Front, w/Retainer Nuts	1 Req	18539	18539	166
1982-83	1.7L 105ci VIN A, B	Exhaust Pipe, Front, w/o Retainer Nuts	1 Req	18194	194	166
1982-83	1.7L 105ci VIN A, B	Exhaust Pipe, Front, w/Split Flange	1 Req	18192	192	166
1984-86	2.2L 135ci VIN 8	Exhaust Pipe, Front, w/Retainer Nuts	1 Req	18539	18539	166
1984-86	2.2L 135ci VIN 8	Exhaust Pipe, Front, w/o Retainer Nuts	1 Req	18194	194	166
1981-90	2.2L 135ci VIN B, C, D, E	Exhaust Pipe, Front, w/Retainer Nuts	1 Req	18539	18539	166
1981-90	2.2L 135ci VIN B, C, D, E	Exhaust Pipe, Front, w/o Retainer Nuts	1 Req	18194	194	166
1981-90	2.2L 135ci VIN B, C, D, E	Exhaust Pipe, Front, w/Split Flange	1 Req	18192	192	166

Flange Mounting Kits Application Information Cont.

DODGE

RAMPAGE

Year	Engine	Location	Qty.	ni Number	Item Number	See Page
1987-89	2.2L 135ci VIN B	Converter Inlet, w/Retainer Nuts	1 Req	18539	18539	166
1987-89	2.2L 135ci VIN B	Converter Inlet, w/o Retainer Nuts	1 Req	18194	194	166
1983-84	2.2L 135ci VIN C	Converter Inlet, w/Retainer Nuts	1 Req	18539	18539	166
1983-84	2.2L 135ci VIN C	Converter Inlet, w/o Retainer Nuts	1 Req	18194	194	166
1983-84	2.2L 135ci VIN C	Exhaust Pipe, Front, w/Split Flange	1 Req	18192	192	166

ROYAL MINI RAM VAN

Year	Engine	Location	Qty.	ni Number	Item Number	See Page
1984-87	2.2L 135ci VIN C	Converter Inlet, w/Retainer Nuts	1 Req	18539	18539	166
1984-87	2.2L 135ci VIN C	Converter Inlet, w/o Retainer Nuts	1 Req	18194	194	166
1984-87	2.6L 156i VIN G	Converter Inlet, w/Retainer Nuts	1 Req	18539	18539	166
1984-87	2.6L 156i VIN G	Converter Inlet, w/o Retainer Nuts	1 Req	18194	194	166
1984-87	2.6L 156i VIN G	Exhaust Pipe, Front, w/Split Flange	1 Req	18192	192	166
1987	3.0L 181ci VIN 3	Converter Inlet, w/Retainer Nuts	1 Req	18539	18539	166
1987	3.0L 181ci VIN 3	Converter Inlet, w/o Retainer Nuts	1 Req	18194	194	166

SHADOW

Year	Engine	Location	Qty.	ni Number	Item Number	See Page
1987-94	2.2L 135ci VIN A, C, D	Exhaust Pipe, Front, w/Retainer Nuts	1 Req	18539	18539	166
1987-94	2.2L 135ci VIN A, C, D	Exhaust Pipe, Front, w/o Retainer Nuts	1 Req	18194	194	166
1987-94	2.2L 135ci VIN A, C, D	Exhaust Pipe, Front, w/Split Flange	1 Req	18192	192	166
1987-88	2.2L 135ci VIN E (Turbo)	Exhaust Pipe, Front, w/Retainer Nuts	1 Req	18539	18539	166
1987-88	2.2L 135ci VIN E (Turbo)	Exhaust Pipe, Front, w/o Retainer Nuts	1 Req	18194	194	166
1987-88	2.2L 135ci VIN E (Turbo)	Exhaust Pipe, Front, w/Split Flange	1 Req	18192	192	166
1988-94	2.5L 153ci VIN J, K	Exhaust Pipe, Front, w/Retainer Nuts	1 Req	18539	18539	166
1988-94	2.5L 153ci VIN J, K	Exhaust Pipe, Front, w/o Retainer Nuts	1 Req	18194	194	166
1988-94	2.5L 153ci VIN J, K	Exhaust Pipe, Front, w/Split Flange	1 Req	18192	192	166
1992-93	3.0L 181ci VIN 3	Exhaust Pipe, Front	1 Req	18539	18539	166
1992-93	3.0L 181ci VIN 3	Exhaust Pipe, Front	1 Req	18194	194	166

SPIRIT

Year	Engine	Location	Qty.	ni Number	Item Number	See Page
1991-92	2.2L 135ci VIN A, J, (Turbo)	Exhaust Pipe, Front, w/Retainer Nuts	1 Req	18539	18539	166
1991-92	2.2L 135ci VIN A, J, (Turbo)	Exhaust Pipe, Front, w/o Retainer Nuts	1 Req	18194	194	166
1989-94	2.5L 143ci VIN K	Exhaust Pipe, Front, w/Retainer Nuts	1 Req	18539	18539	166
1989-94	2.5L 143ci VIN K	Exhaust Pipe, Front, w/o Retainer Nuts	1 Req	18194	194	166
1989-94	2.5L 143ci VIN K	Exhaust Pipe, Front, w/Split Flange	1 Req	18192	192	166
1993-94	2.5L 143ci VIN V	Exhaust Pipe, Front, w/Retainer Nuts	1 Req	18539	18539	166
1993-94	2.5L 143ci VIN V	Exhaust Pipe, Front, w/o Retainer Nuts	1 Req	18194	194	166
1989-95	3.0L 181ci VIN 3	Exhaust Pipe, Front, w/Retainer Nuts	1 Req	18539	18539	166
1989-95	3.0L 181ci VIN 3	Exhaust Pipe, Front, w/o Retainer Nuts	1 Req	18194	194	166

VIPER

Year	Engine	Location	Qty.	ni Number	Item Number	See Page
1992-95	8.0L 488ci VIN E	Exhaust Pipe, Front, w/Retainer Nuts	1 Req	18539	18539	166
1992-95	8.0L 488ci VIN E	Exhaust Pipe, w/o Retainer Nuts	1 Req	18194	194	166

Flange Mounting Kits Application Information Cont.

FORD

ASPIRE

Year	Engine	Location	Qty.	ni Number	Item Number	See Page
1994-97	1.3L 1295cc VIN H	Converter Inlet	1 Req	18317	317	167

BRONCO II

Year	Engine	Location	Qty.	ni Number	Item Number	See Page
1986-90	2.9L 177ci	Converter Outlet, w/2-9/16" Split Flange & Retainer Nuts (w/GASKET 13807)	1 Req	18202	15202	167
1986-90	2.9L 177ci	Converter Outlet, w/Retainer Nuts	1 Req	18316	316	167

ESCORT

Year	Engine	Location	Qty.	ni Number	Item Number	See Page
1982-85	1.6L 1598cc VIN 2, 4, 5, 7, 8	Converter Inlet, w/Retainer Nuts	1 Req	18316	316	167
1982-85	1.6L 1598cc VIN 2, 4, 5, 7, 8	Converter Inlet, w/ Split Flange (w/FLANGE 15109)	1 Req	18203	18203	167
1982-85	1.6L 1598cc VIN 2, 4, 5, 7, 8	Converter Inlet, w/Interlocking Split Flange (w/FLANGE 15195A)	1 Req	18195	195	166
1982-85	1.6L 1598cc VIN 2, 4, 5, 7, 8	Converter Inlet, w/Interlocking Split Flange (w/FLANGE & 13743 GASKET)	1 Req	18196A	196A	166
1985-90	1.9L 116ci VIN J, 9	Converter Inlet w/2BBL, w/Retainer Nuts	1 Req	18316	316	167
1985-90	1.9L 116ci VIN J, 9	Converter Outlet w/Fuel Inj., w/Retainer Nuts	1 Req	18316	316	167
1985-90	1.9L 116ci VIN J, 9	Converter Inlet w/2BBL, w/ Split Flange (w/FLANGE 15109)	1 Req	18203	18203	167
1985-90	1.9L 116ci VIN J, 9	Converter Inlet w/2BBL, w/Interlocking Split Flange (w/FLANGE 15195A)	1 Req	18195	195	166
1985-90	1.9L 116ci VIN J, 9	Converter Outlet w/Fuel Inj., w/ Split Flange (w/FLANGE 15109)	1 Req	18203	18203	167
1985-90	1.9L 116ci VIN J, 9	Converter Outlet w/Fuel Inj., w/Interlocking Split Flange (w/FLANGE 15195A)	1 Req	18195	195	166
1985-90	1.9L 116ci VIN J, 9	Converter Inlet w/2BBL, w/Interlocking Split Flange (W/13743 GASKET)	1 Req	18196A	196A	166
1985-90	1.9L 116ci VIN J, 9	Converter Outlet w/2BBL, w/Interlocking Split Flange (w/13743 GASKET)	1 Req	18196A	196A	166
1984-87	2.0L 122ci (Diesel) VIN H	Converter Inlet, w/Retainer Nuts	1 Req	18316	316	167
1984-87	2.0L 122ci (Diesel) VIN H	Converter Inlet, w/ Split Flange (w/FLANGE 15109)	1 Req	18203	18203	167
1984-87	2.0L 122ci (Diesel) VIN H	Converter Inlet, w/Interlocking Split Flange (w/FLANGE 15195A)	1 Req	18195	195	166
1984-87	2.0L 122ci (Diesel) VIN H	Converter Inlet, w/Interlocking Split Flange (W/ 13743 GASKET)	1 Req	18196A	196A	166

EXP

Year	Engine	Location	Qty.	ni Number	Item Number	See Page
1982-85	1.6L 1598cc VIN 2, 4, 5, 8	Converter Inlet, w/Retainer Nuts	1 Req	18316	316	167
1982-85	1.6L 1598cc VIN 2, 4, 5, 8	Converter Inlet, W/O Retainer Nuts	1 Req	18536	18536	167
1982-85	1.6L 1598cc VIN 2, 4, 5, 8	Converter Inlet, w/ Split Flange (w/FLANGE 15109)	1 Req	18203	18203	167
1982-85	1.6L 1598cc VIN 2, 4, 5, 8	Converter Inlet, w/Interlocking Split Flange (w/FLANGE 15195A)	1 Req	18195	195	166
1982-85	1.6L 1598cc VIN 2, 4, 5, 8	Converter Inlet, w/Interlocking Split Flange (W/ 13743 GASKET)	1 Req	18196A	196A	166

Flange Mounting Kits Application Information Cont.

FORD

EXP (continued)

Year	Engine	Location	Qty.	ni Number	Item Number	See Page
1986-88	1.9L 116CI VIN J, 9	Converter Inlet, W/O Retainer Nuts	1 Req	18536	18536	167
1986-88	1.9L 116CI VIN J, 9	Converter Inlet, w/ Split Flange (w/FLANGE 15109)	1 Req	18203	18203	167
1986-88	1.9L 116CI VIN J, 9	Converter Inlet, w/Interlocking Split Flange (w/FLANGE 15195A)	1 Req	18195	195	166
1986-88	1.9L 116CI VIN J, 9	Converter Inlet, w/Interlocking Split Flange (W/ 13743 GASKET)	1 Req	18196A	196A	166

EXPLORER

Year	Engine	Location	Qty.	ni Number	Item Number	See Page
1997-00	4.0L 245ci (OHV)	Converter Outlet, w/Retainer Nuts	1 Req	18316	316	167
1997-00	4.0L 245ci (OHV)	Converter Outlet, w/o Retainer Nuts	1 Req	18536	18536	167
1997-00	4.0L 245ci (OHV)	Converter Outlet, w/ 2-9/16" Split Flange & Retainer Nuts (w/GASKET 13807)	1 Req	18202	15202	167
1991-96	4.0L 245ci (OHV, SOHV)	Converter Outlet, w/Retainer Nuts	1 Req	18316	316	167
1991-96	4.0L 245ci (OHV, SOHV)	Converter Outlet, w/o Retainer Nuts	1 Req	18536	18536	167
1991-96	4.0L 245ci (OHV, SOHV)	Converter Outlet, w/ 2-9/16" Split Flange & Retainer Nuts (w/GASKET 13807)	1 Req	18202	15202	167
1997-00	4.0L 245ci VIN E	Converter Outlet, w/Retainer Nuts	1 Req	18316	316	167
1997-00	4.0L 245ci VIN E	Converter Outlet, w/o Retainer Nuts	1 Req	18536	18536	167
1997-00	4.0L 245ci VIN E	Converter Outlet, w/ 2-9/16" Split Flange & Retainer Nuts (w/GASKET 13807)	1 Req	18202	15202	167

EXPLORER SPORTS TRAC

Year	Engine	Location	Qty.	ni Number	Item Number	See Page
2002-05	4.0L 245ci VIN E	Converter Outlet, w/Retainer Nuts	1 Req	18316	316	167
2002-05	4.0L 245ci VIN E	Converter Outlet, w/o Retainer Nuts	1 Req	18536	18536	167
2002-05	4.0L 245ci VIN E	Converter Outlet, w/ 2-9/16" Split Flange & Retainer Nuts (w/GASKET 13807)	1 Req	18202	15202	167

RANGER

Year	Engine	Location	Qty.	ni Number	Item Number	See Page
1986-87	2.3L 140ci (DIESEL) VIN E	Converter Outlet, w/Retainer Nuts	1 Req	18316	316	167
1986-87	2.3L 140ci (DIESEL) VIN E	Converter Outlet, w/o Retainer Nuts	1 Req	18536	18536	167
1986-97	2.3L 140ci (GAS) VIN A	Converter Outlet, w/Retainer Nuts	1 Req	18316	316	167
1986-97	2.3L 140ci (GAS) VIN A	Converter Outlet, w/o Retainer Nuts	1 Req	18536	18536	167
1986-87	2.3L 140ci (GAS) VIN A	Converter Outlet, w/ 2-9/16" Split Flange & Retainer Nuts (w/GASKET 13807)	1 Req	18202	15202	167
2001-06	2.3L 140ci VIN D	Converter Outlet, w/Retainer Nuts	1 Req	18316	316	167
2001-06	2.3L 140ci VIN D	Converter Outlet, w/o Retainer Nuts	1 Req	18536	18536	167
2001-06	2.3L 140ci VIN D	Converter Outlet, w/ 2-9/16" Split Flange & Retainer Nuts (w/GASKET 13807)	1 Req	18202	15202	167
1986-92	2.9L 177ci VIN T	Converter Outlet, w/Retainer Nuts	1 Req	18316	316	167
1986-92	2.9L 177ci VIN T	Converter Outlet, w/o Retainer Nuts	1 Req	18536	18536	167
1986-92	2.9L 177ci VIN T	Converter Outlet, w/ 2-9/16" Split Flange & Retainer Nuts (w/GASKET 13807)	1 Req	18202	15202	167
2001-08	4.0L 245ci VIN E	Converter Outlet, w/Retainer Nuts	1 Req	18316	316	167
2001-08	4.0L 245ci VIN E	Converter Outlet, w/o Retainer Nuts	1 Req	18536	18536	167
1991-07	4.0L 245ci VIN E	Converter Outlet, w/Retainer Nuts	1 Req	18316	316	167
1991-07	4.0L 245ci VIN E	Converter Outlet, w/o Retainer Nuts	1 Req	18536	18536	167
1991-07	4.0L 245ci VIN E	Converter Outlet, w/2-9/16" ID Split Flange & Retainer Nuts (w/GASKET 13807)	1 Req	18202	15202	167

Flange Mounting Kits Application Information Cont.

FORD

TAURUS

Year	Engine	Location	Qty.	ni Number	Item Number	See Page
1986-90	2.5L 153ci VIN D	Converter Inlet, w/Retainer Nuts	1 Req	18316	316	167
1986-90	2.5L 153ci VIN D	Converter Inlet, w/o Retainer Nuts	1 Req	18536	18536	167
1986-90	2.5L 153ci VIN D	Converter Inlet, w/ Split Flange (w/FLANGE 15109)	1 Req	18203	18203	167
1986-90	2.5L 153ci VIN D	Converter Inlet, w/Interlocking Split Flange (w/FLANGE 15195A)	1 Req	18195	195	166
1986-90	2.5L 153ci VIN D	Converter Inlet, w/2-3/8 ID Split Flange (w/GASKET 13743)	1 Req	18201	15201	167
1986-90	2.5L 153ci VIN D	Converter Inlet, w/Interlocking Split Flange (w/GASKET 13743)	1 Req	18196A	196A	166
1986-95	3.0L 182ci VIN U	Converter Inlet, w/Retainer Nuts	1 Req	18316	316	167
1986-95	3.0L 182ci VIN U	Converter Inlet, w/o Retainer Nuts	1 Req	18536	18536	167
1986-95	3.0L 182ci VIN U	Converter Inlet, w/ Split Flange (w/FLANGE 15109)	1 Req	18203	18203	167
1986-95	3.0L 182ci VIN U	Converter Inlet, w/Interlocking Split Flange (w/FLANGE 15195A)	1 Req	18195	195	166
1986-95	3.0L 182ci VIN U	Converter Inlet, w/2-9/16" ID Split Flange (w/GASKET 13807)	1 Req	18202	15202	167
1986-95	3.0L 182ci VIN U	Converter Inlet, w/Interlocking Split Flange (w/GASKET 13807)	1 Req	18537	18537	168
1992-95	3.0L 182ci VIN Y (SHO)	Converter Outlet w/Fuel Inj., w/Retainer Nuts	1 Req	18316	316	167
1992-95	3.0L 182ci VIN Y (SHO)	Converter Inlet w/Manual Transmission, w/2-9/16" Split Flange (w/GASKET 13807)	1 Req	18202	15202	167
1992-95	3.0L 182ci VIN Y (SHO)	Converter Inlet w/Manual Transmission, w/Interlocking Flange, (w/GASKET 13807)	1 Req	18537	18537	168
1989-91	3.0L 182ci VIN Y (SHO)	Converter Inlet w/2BBL, w/Retainer Nuts	1 Req	18316	316	167
1989-91	3.0L 182ci VIN Y (SHO)	Converter Inlet, w/Interlocking Flange, (w/GASKET 13807)	1 Req	18537	18537	168
1989-91	3.0L 182ci VIN Y (SHO)	Converter Inlet, w/2-9/16" ID Split Flange (w/GASKET 13807)	1 Req	18202	15202	167
1991-92	3.8L 232ci VIN 4	Converter Inlet, w/Retainer Nuts	1 Req	18316	316	167

TEMPO

Year	Engine	Location	Qty.	ni Number	Item Number	See Page
1984-86	2.0L 122ci (Diesel) VIN H	Converter Inlet, w/Retainer Nuts	1 Req	18316	316	167
1984-86	2.0L 122ci (Diesel) VIN H	Converter Inlet, w/o Retainer Nuts	1 Req	18536	18536	167
1984-86	2.0L 122ci (Diesel) VIN H	Converter Inlet, w/ Split Flange (w/FLANGE 15109)	1 Req	18203	18203	167
1984-86	2.0L 122ci (Diesel) VIN H	Converter Inlet, w/Interlocking Split Flange (w/FLANGE 15195A)	1 Req	18195	195	166
1984-86	2.0L 122ci (Diesel) VIN H	Converter Inlet, w/Interlocking Split Flange (w/GASKET 13743)	1 Req	18196A	196A	166
1990-94	2.3L 140 ci	w/2-3/8 ID Split Flange (w/GASKET 13743)	1 Req	18201	15201	167
1985-91	2.3L 140ci VIN R, S, X	Converter Inlet, w/Retainer Nuts	1 Req	18316	316	167
1985-91	2.3L 140ci VIN R, S, X	Converter Inlet w/o Retainer Nuts	1 Req	18536	18536	167
1985-91	2.3L 140ci VIN R, S, X	Converter Inlet, w/ Split Flange (w/FLANGE 15109)	1 Req	18203	18203	167
1985-91	2.3L 140ci VIN R, S, X	Converter Inlet, w/Interlocking Split Flange	1 Req	18195	195	166
1985-91	2.3L 140ci VIN R, S, X	Converter Inlet, w/Interlocking Split Flange (w/GASKET 13743)	1 Req	18196A	196A	166

Flange Mounting Kits Application Information Cont.

FORD

THUNDERBIRD

Year	Engine	Location	Qty.	ni Number	Item Number	See Page
1988	5.0L 302ci VIN F	Converter Inlet w/2BBL, w/Retainer Nuts	1 Req	18316	316	167
1983-85	5.0L 302ci VIN F	Converter Outlet w/Fuel Inj., w/Retainer Nuts	1 Req	18316	316	167

GMC

C10 PICKUP

Year	Engine	Location	Qty.	ni Number	Item Number	See Page
1985-86	4.3L 262ci VIN N	Exhaust Pipe, Left Side	1 Req	18319	319	169
1985-86	4.3L 262ci VIN N	Exhaust Pipe, Right Side	1 Req	18534	18534	170
1986	5.0L 305ci VIN F, H	Exhaust Pipe, Left Side	1 Req	18309	318	168
1986	5.0L 305ci VIN F, H	Exhaust Pipe, Right Side	1 Req	18319	319	169
1986	5.0L 305ci VIN F, H	Exhaust Pipe, Left Side (w/GASKET 13841)	1 Req	18318	15318	169
1985	5.0L 305ci VIN F, H	Exhaust Pipe, Left/Right	1 Req	18309	318	168
1985	5.0L 305ci VIN F, H	Exhaust Pipe, Left/Right (w/GASKET 13841)	1 Req	18318	15318	169
1983-84	5.7L 350ci VIN L	Exhaust Pipe, Right Side	1 Req	18319	319	169
1983-84	5.7L 350ci VIN M	Exhaust Pipe, Right Side	1 Req	18309	318	168

C10 SUBURBAN

Year	Engine	Location	Qty.	ni Number	Item Number	See Page
1986	5.0L 305ci VIN F, H	Exhaust Pipe, Left Side	1 Req	18309	318	168
1986	5.0L 305ci VIN F, H	Exhaust Pipe, Right Side	1 Req	18319	319	169
1986	5.0L 305ci VIN F, H	Exhaust Pipe, Left Side (w/GASKET 13841)	1 Req	18318	15318	169
1985	5.0L 305ci VIN F, H	Exhaust Pipe, Left/Right	1 Req	18309	318	168
1985	5.0L 305ci VIN F, H	Exhaust Pipe, Left/Right (w/GASKET 13841)	1 Req	18318	15318	169
1983-84	5.7L 350ci VIN L	Exhaust Pipe, Right Side	1 Req	18319	319	169
1985-86	5.7L 350ci VIN M	Exhaust Pipe, Left Side	1 Req	18305	18305	168
1985-86	5.7L 350ci VIN M	Exhaust Pipe, Right Side	1 Req	18534	18534	170

C1500 PICKUP

Year	Engine	Location	Qty.	ni Number	Item Number	See Page
1988-95	4.3L 262ci VIN Z	Exhaust Pipe, Left/Right	1 Req	18309	318	168
1988-95	4.3L 262ci VIN Z	Exhaust Pipe, Left/Right (w/GASKET 13841)	1 Req	18318	15318	169
1988-95	5.0L 305ci VIN H	Exhaust Pipe, Left/Right	1 Req	18309	318	168
1988-95	5.0L 305ci VIN H	Exhaust Pipe, Left/Right (w/GASKET 13841)	1 Req	18318	15318	169
1988-95	5.7L 350ci VIN K	Exhaust Pipe, Left/Right	1 Req	18309	318	168
1988-93	6.2L 379ci VIN C, J	Exhaust Pipe, Right Side (w/GASKET 13841)	1 Req	18318	15318	169
1990-93	7.4L 454ci VIN N	Exhaust Pipe, Left/Right	1 Req	18309	318	168

C20 PICKUP

Year	Engine	Location	Qty.	ni Number	Item Number	See Page
1985-86	4.3L 262ci VIN N	Exhaust Pipe, Left Side	1 Req	18534	18534	170
1985-86	4.3L 262ci VIN N	Exhaust Pipe, Right Side	1 Req	18319	319	169
1985-86	4.8L 292ci VIN T	Exhaust Pipe	1 Req	18534	18534	170
1985-86	5.0L 305ci VIN H, L	Exhaust Pipe, Right Side	1 Req	18319	319	169

Flange Mounting Kits Application Information Cont.

GMC

C20 PICKUP (continued)

Year	Engine	Location	Qty.	ni Number	Item Number	See Page
1985-86	5.7L 350ci VIN L. M	Exhaust Pipe, Right Side	1 Req	18319	319	169
1985-86	7.4L 454ci VIN W	Exhaust Pipe, Left Side	1 Req	18534	18534	170
1985-86	7.4L 454ci VIN W	Exhaust Pipe, Right Side	1 Req	18305	18305	168

C20 SUBURBAN

Year	Engine	Location	Qty.	ni Number	Item Number	See Page
1985-86	5.0L 305ci VIN H	Exhaust Pipe, Right Side	1 Req	18319	319	169
1985-86	5.7L 350ci VIN L. M	Exhaust Pipe, Right Side	1 Req	18319	319	169
1985-86	7.4L 454ci VIN W	Exhaust Pipe, Left Side	1 Req	18534	18534	170
1985-86	7.4L 454ci VIN W	Exhaust Pipe, Right Side	1 Req	18305	18305	168

C2500 PICKUP

Year	Engine	Location	Qty.	ni Number	Item Number	See Page
1988-95	4.3L 262ci VIN Z	Exhaust Pipe, Left/Right	1 Req	18309	318	168
1994-95	5.0L 305ci VIN H	Exhaust Pipe, Left/Right	1 Req	18309	318	168
1988-91	5.0L 305ci VIN H	Exhaust Pipe, Left/Right	1 Req	18309	318	168
1988-95	5.7L 350ci VIN K	Exhaust Pipe, Left/Right	1 Req	18309	318	168
1988-93	6.2L 379ci VIN C	Exhaust Pipe, Left Side	1 Req	18309	318	168
1988-93	6.2L 379ci VIN C	Exhaust Pipe, Right Side (w/GASKET 13841)	1 Req	18318	15318	169
1989-93	6.2L 379ci VIN J	Exhaust Pipe, Left/Right	1 Req	18309	318	168
1994-95	6.5L 395ci VIN P	Exhaust Pipe, Left/Right	1 Req	18309	318	168
1991-95	7.4L 454ci VIN N	Exhaust Pipe, Left/Right	1 Req	18309	318	168

C2500 SUBURBAN

Year	Engine	Location	Qty.	ni Number	Item Number	See Page
1992-95	5.7L 350ci VIN K	Exhaust Pipe, Left/Right	1 Req	18309	318	168
1992-95	7.4L 454ci VIN N	Exhaust Pipe, Left/Right	1 Req	18309	318	168

C2500 SUBURBAN

Year	Engine	Location	Qty.	ni Number	Item Number	See Page
1985-86	4.8L 292ci VIN T	Exhaust Pipe, Left/Right	1 Req	18534	18534	170
1986	5.0L 305ci VIN H	Exhaust Pipe, Right Side	1 Req	18319	319	169
1985-86	5.7L 350ci VIN M	Exhaust Pipe, Right Side, Calif	1 Req	18319	319	169
1985-86	5.7L 350ci VIN M	Exhaust Pipe, Left Side, Exc. Calif.	1 Req	18534	18534	170
1985-86	5.7L 350ci VIN M	Exhaust Pipe, Right Side, Exc. Calif.	1 Req	18305	18305	168

CABALLERO

Year	Engine	Location	Qty.	ni Number	Item Number	See Page
1983-84	3.8L 231ci VIN A	Exhaust Pipe, Front	1 Req	18314	18314	169
1983-84	5.7L 350ci VIN N	Exhaust Pipe, Front	1 Req	18314	18314	169

G20

Year	Engine	Location	Qty.	ni Number	Item Number	See Page
1994-95	6.5L 395ci VIN P	Exhaust Pipe, Left/Right	1 Req	18309	318	168
1994-95	6.5L 395ci VIN P	Exhaust Pipe, Right Side (W.GASKET 13841)	1 Req	18318	15318	169

G30

Year	Engine	Location	Qty.	ni Number	Item Number	See Page
1994-96	6.5L 395ci VIN Y	Exhaust Pipe, Right Side	1 Req	18309	318	168

Flange Mounting Kits Application Information Cont.

GMC

JIMMY

Year	Engine	Location	Qty.	ni Number	Item Number	See Page
1995	4.3L 262ci VIN W	Exhaust Pipe, Left/Right	1 Req	18309	318	168
1987	5.0L 305ci VIN H	Exhaust Pipe, Right Side	1 Req	18319	319	169
1992-94	5.7L 350ci VIN K	Exhaust Pipe, Right Side	1 Req	18309	318	168

K10 PICKUP

Year	Engine	Location	Qty.	ni Number	Item Number	See Page
1985-86	4.3L 262ci VIN N	Exhaust Pipe, Left Side	1 Req	18319	319	169
1985-86	4.3L 262ci VIN N	Exhaust Pipe, Right Side	1 Req	18534	18534	170
1985-86	5.0L 305ci VIN H	Exhaust Pipe, Right Side	1 Req	18534	18534	170
1985-86	5.7L 350ci VIN L	Exhaust Pipe, Right Side	1 Req	18319	319	169
1985-86	5.7L 350ci VIN M	Exhaust Pipe, Left Side	1 Req	18305	18305	168
1985-86	5.7L 350ci VIN M	Exhaust Pipe, Right Side	1 Req	18534	18534	170
1985-86	6.2L 379ci VIN C	Exhaust Pipe, Right Side (w/GASKET 13841)	1 Req	18538	15538	170

K10 SUBURBAN

Year	Engine	Location	Qty.	ni Number	Item Number	See Page
1986	5.0L 305ci VIN F, H	Exhaust Pipe, Left Side	1 Req	18309	318	168
1986	5.0L 305ci VIN F, H	Exhaust Pipe, Right Side	1 Req	18319	319	169
1985	5.0L 305ci VIN F, H	Exhaust Pipe, Left Side (w/GASKET 13841)	1 Req	18318	15318	169
1985	5.0L 305ci VIN F, H	Exhaust Pipe, Left/Right	1 Req	18309	318	168
1985	5.0L 305ci VIN F, H	Exhaust Pipe, Left/Right (w/GASKET 13841)	1 Req	18318	15318	169
1992-95	5.7L 350Ci VIN K	Exhaust Pipe, Left/Right	1 Req	18309	318	168
1983-84	5.7L 350ci VIN L	Exhaust Pipe, Right Side	1 Req	18319	319	169
1985-86	5.7L 350ci VIN M	Exhaust Pipe, Left Side	1 Req	18305	18305	168
1985-86	5.7L 350ci VIN M	Exhaust Pipe, Right Side	1 Req	18534	18534	170

K20 PICKUP

Year	Engine	Location	Qty.	ni Number	Item Number	See Page
1985	4.3L 262ci VIN Z	Exhaust Pipe, Left Side	1 Req	18534	18534	170
1985	4.3L 262ci VIN Z	Exhaust Pipe, Right Side	1 Req	18319	319	169
1985-86	4.8L 292ci VIN T	Exhaust Pipe	1 Req	18534	18534	170
1985	5.0L 305ci VIN H	Exhaust Pipe, Right Side	1 Req	18319	319	169
1985-86	5.7L 350ci VIN L, M	Exhaust Pipe, Right Side	1 Req	18319	319	169

K20 SUBURBAN

Year	Engine	Location	Qty.	ni Number	Item Number	See Page
1985-86	5.0L 305ci VIN H	Exhaust Pipe, Right Side	1 Req	18319	319	169
1985-86	5.7L 350ci VIN L, M	Exhaust Pipe, Right Side	1 Req	18319	319	169

K2500 PICKUP

Year	Engine	Location	Qty.	ni Number	Item Number	See Page
1988-95	4.3L 262ci VIN Z	Exhaust Pipe, Left/Right	1 Req	18309	318	168
1994-95	5.0L 305ci VIN H	Exhaust Pipe, Left/Right	1 Req	18309	318	168
1988-91	5.0L 305ci VIN H	Exhaust Pipe, Left/Right	1 Req	18309	318	168
1988-95	5.7L 350ci VIN K	Exhaust Pipe, Left/Right	1 Req	18309	318	168
1989-93	6.2L 379ci VIN C, J	Exhaust Pipe, Left/Right	1 Req	18309	318	168
1994-95	6.5L 395ci VIN P	Exhaust Pipe, Left/Right	1 Req	18309	318	168

Flange Mounting Kits Application Information Cont.

GMC

K2500 PICKUP

Year	Engine	Location	Qty.	ni Number	Item Number	See Page
1991-95	7.4L 454ci VIN N	Exhaust Pipe, Left/Right	1 Req	18309	318	168

K2500 SUBURBAN

Year	Engine	Location	Qty.	ni Number	Item Number	See Page
1992-95	5.7L 350ci VIN K	Exhaust Pipe, Left/Right	1 Req	18309	318	168
1992-95	7.4L 454ci VIN N	Exhaust Pipe, Left/Right	1 Req	18309	318	168

K30 PICKUP

Year	Engine	Location	Qty.	ni Number	Item Number	See Page
1983-86	4.8L 292ci VIN T	Exhaust Pipe, Left/Right	1 Req	18534	18534	170
1985	5.7L 350ci VIN L	Exhaust Pipe, Right Side	1 Req	18534	18534	170
1985-86	5.7L 350ci VIN M	Exhaust Pipe, Right Side, Calif	1 Req	18319	319	169
1985-86	5.7L 350ci VIN M	Exhaust Pipe, Left Side, Exc. Calif.	1 Req	18534	18534	170
1985-86	5.7L 350ci VIN M	Exhaust Pipe, Right Side, Exc. Calif.	1 Req	18305	18305	168
1983-86	7.4L 454ci VIN W	Exhaust Pipe, Left Side	1 Req	18534	18534	170
1983-86	7.4L 454ci VIN W	Exhaust Pipe, Right Side	1 Req	18305	18305	168

K3500 PICKUP

Year	Engine	Location	Qty.	ni Number	Item Number	See Page
1988-95	5.7L 350ci VIN K	Exhaust Pipe, Left/Right	1 Req	18309	318	168
1988-93	6.2L 379ci VIN J	Exhaust Pipe, Left/Right	1 Req	18309	318	168
1988-95	7.4L 454ci VIN N	Exhaust Pipe, Left/Right	1 Req	18309	318	168

P30

Year	Engine	Location	Qty.	ni Number	Item Number	See Page
1994-95	6.5L 395ci VIN F	Exhaust Pipe, Left/Right	1 Req	18309	318	168
1990-97	7.4L 454ci VIN N	Exhaust Pipe, Left/Right	1 Req	18534	18534	170

R10 PICKUP

Year	Engine	Location	Qty.	ni Number	Item Number	See Page
1987	4.3L 262ci VIN Z	Exhaust Pipe, Left Side	1 Req	18319	319	169
1987	4.3L 262ci VIN Z	Exhaust Pipe, Right Side	1 Req	18534	18534	170
1987	4.3L 262ci VIN Z	Exhaust Pipe, Right Side (w/GASKET 13841)	1 Req	18535	18535	170
1987	5.0L 305ci VIN H	Exhaust Pipe, Right Side	1 Req	18319	319	169

R10 SUBURBAN

Year	Engine	Location	Qty.	ni Number	Item Number	See Page
1987	5.0L 305ci VIN H	Exhaust Pipe, Right Side	1 Req	18319	319	169

R20 PICKUP

Year	Engine	Location	Qty.	ni Number	Item Number	See Page
1987	4.3L 262ci VIN Z	Exhaust Pipe, Left Side	1 Req	18319	319	169
1987	4.3L 262ci VIN Z	Exhaust Pipe, Right Side	1 Req	18534	18534	170
1987	4.3L 262ci VIN Z	Exhaust Pipe, Right Side (w/GASKET 13841)	1 Req	18535	18535	170
1987-88	4.8L 292ci VIN T	Exhaust Pipe, Front	1 Req	18534	18534	170
1987-88	4.8L 292ci VIN T	Exhaust Pipe, Front (w/GASKET 13841)	1 Req	18535	18535	170
1987	5.0L 305ci VIN H	Exhaust Pipe, Right Side	1 Req	18319	319	169

Flange Mounting Kits Application Information Cont.

GMC

R20 SUBURBAN

Year	Engine	Location	Qty.	ni Number	Item Number	See Page
1988	5.7L 350ci VIN K	Exhaust Pipe, Right Side (w/GASKET 13841)	1 Req	18535	18535	170
1988	7.4L 454ci VIN N	Exhaust Pipe, Right Side	1 Req	18534	18534	170

R2500 PICKUP

Year	Engine	Location	Qty.	ni Number	Item Number	See Page
1989-91	6.2L 379ci VIN J	Exhaust Pipe, Right Side (w/GASKET 13841)	1 Req	18535	18535	170

R2500 SUBURBAN

Year	Engine	Location	Qty.	ni Number	Item Number	See Page
1989-91	7.4L 454ci VIN N	Exhaust Pipe, Right Side	1 Req	18534	18534	170

R30 PICKUP

Year	Engine	Location	Qty.	ni Number	Item Number	See Page
1987-88	4.8L 292ci VIN T	Exhaust Pipe, Front	1 Req	18534	18534	170
1987-88	4.8L 292ci VIN T	Exhaust Pipe, Front (w/GASKET 13841)	1 Req	18535	18535	170
1987-88	5.7L 350ci VIN M	Exhaust Pipe, Right Side	1 Req	18534	18534	170
1987-88	6.2L 379ci VIN J	Exhaust Pipe, Left/Right	1 Req	18309	318	168
1987-88	7.4L 454ci VIN N	Exhaust Pipe, Right Side	1 Req	18534	18534	170
1987-88	7.4L 454ci VIN W	Exhaust Pipe, Left Side	1 Req	18534	18534	170
1987-88	7.4L 454ci VIN W	Exhaust Pipe, Right Side	1 Req	18305	18305	168

R3500

Year	Engine	Location	Qty.	ni Number	Item Number	See Page
1989-91	6.2L 379ci VIN J	Exhaust Pipe, Left/Right	1 Req	18534	18534	170
1989-91	7.4L 454ci VIN N	Exhaust Pipe, Right Side	1 Req	18534	18534	170
1989	7.4L 454ci VIN W	Exhaust Pipe, Left Side	1 Req	18534	18534	170
1989	7.4L 454ci VIN W	Exhaust Pipe, Right Side	1 Req	18305	18305	168
1989	7.4L 454ci VIN W	Exhaust Pipe, Right Side	1 Req	18305	18305	168

S15 JIMMY

Year	Engine	Location	Qty.	ni Number	Item Number	See Page
1983-84	1.9L 119ci VIN A	Exhaust Pipe, Front	1 Req	18310	310	169
1983-84	2.0L 122ci VIN Y	Exhaust Pipe, Front	1 Req	18310	310	169
1984	2.2L 134ci VIN S	Exhaust Pipe, Front	1 Req	18310	310	169
1985-88	2.5L 151ci VIN E	Exhaust Pipe, Front	1 Req	18310	310	169
1983-90	2.8L 173ci VIN B, R	Exhaust Pipe, Left/Right	1 Req	18310	310	169
1991-95	4.3L 262ci VIN Z	Exhaust Pipe, Left/Right	1 Req	18309	318	168
1992-94	4.3L 262ci VIN W	Exhaust Pipe, Left/Right	1 Req	18309	318	168

SONOMA

Year	Engine	Location	Qty.	ni Number	Item Number	See Page
1982-85	1.9L 119ci VIN A	Exhaust Pipe, Front	1 Req	18310	310	169
1983-84	2.0L 122ci VIN Y	Exhaust Pipe, Front	1 Req	18310	310	169
1994-95	2.2L 134ci VIN 4	Exhaust Pipe, Front	1 Req	18310	310	169
1983-85	2.2L 134ci VIN S	Exhaust Pipe, Front	1 Req	18310	310	169
1991-93	2.5L 151ci VIN A	Exhaust Pipe, Front	1 Req	18310	310	169
1985-91	2.5L 151ci VIN E	Exhaust Pipe, Front	1 Req	18310	310	169
1982-93	2.8L 173ci VIN B, R	Exhaust Pipe, Left/Right	1 Req	18310	310	169
1982-93	2.8L 173ci VIN B, R	Exhaust Pipe	1 Req	18305	18305	168

Flange Mounting Kits Application Information Cont.

GMC

SONOMA (continued)

Year	Engine	Location	Qty.	ni Number	Item Number	See Page
1994-95	4.3L 262ci VIN W	Exhaust Pipe, Left/Right	1 Req	18309	318	168
1991-95	4.3L 262ci VIN Z	Exhaust Pipe, Left/Right	1 Req	18309	318	168

V10 PICKUP

Year	Engine	Location	Qty.	ni Number	Item Number	See Page
1987	4.3L 262ci VIN Z	Exhaust Pipe, Left Side	1 Req	18319	319	169
1987	4.3L 262ci VIN Z	Exhaust Pipe, Right Side	1 Req	18534	18534	170
1987	4.3L 262ci VIN Z	Exhaust Pipe, Right Side (w/GASKET 13841)	1 Req	18535	18535	170
1987	5.0L 305ci VIN H	Exhaust Pipe, Right Side	1 Req	18319	319	169
1987	5.7L 350ci VIN K	Exhaust Pipe, Right Side (w/GASKET 13841)	1 Req	18535	18535	170

V20 PICKUP

Year	Engine	Location	Qty.	ni Number	Item Number	See Page
1987-88	4.8L 292ci VIN T	Exhaust Pipe, Front	1 Req	18534	18534	170
1987-88	4.8L 292ci VIN T	Exhaust Pipe, Front (w/GASKET 13841)	1 Req	18535	18535	170

V2500 SUBURBAN

Year	Engine	Location	Qty.	ni Number	Item Number	See Page
1990	7.4L 454ci VIN N	Exhaust Pipe, Right Side	1 Req	18534	18534	170

V30 PICKUP

Year	Engine	Location	Qty.	ni Number	Item Number	See Page
1987-88	4.8L 292ci VIN T	Exhaust Pipe, Front	1 Req	18534	18534	170
1987-88	5.7L 350Ci VIN M	Exhaust Pipe, Left Side	1 Req	18305	18305	168
1987-88	5.7L 350Ci VIN M	Exhaust Pipe, Right Side	1 Req	18534	18534	170
1987-88	7.4L 454 VIN N	Exhaust Pipe, Right Side	1 Req	18534	18534	170
1987-88	7.4L 454ci VIN W	Exhaust Pipe, Left Side	1 Req	18534	18534	170
1987-88	7.4L 454ci VIN W	Exhaust Pipe, Right Side	1 Req	18305	18305	168

V3500 PICKUP

Year	Engine	Location	Qty.	ni Number	Item Number	See Page
1989-91	7.4L 454 VIN N	Exhaust Pipe, Right Side	1 Req	18534	18534	170
1989	7.4L 454ci VIN W	Exhaust Pipe, Left Side	1 Req	18534	18534	170
1989	7.4L 454ci VIN W	Exhaust Pipe, Right Side	1 Req	18305	18305	168

YUKON

Year	Engine	Location	Qty.	ni Number	Item Number	See Page
1995	5.7L 350ci VIN K	Exhaust Pipe, Left/Right	1 Req	18309	318	168

HONDA

ACCORD

Year	Engine	Location	Qty.	ni Number	Item Number	See Page
1994-97	2.2L, 2156cc F22B1, F22B2	Converter Inlet	1 Req	18317	317	170
1994-97	2.2L, 2156cc F22B1, F22B2	Converter Outlet	1 Req	18317	317	170
1994-97	2.2L, 2156cc F22B1, F22B2	Muffler Inlet	1 Req	18317	317	170

Flange Mounting Kits Application Information Cont.

HONDA

CIVIC

Year	Engine	Location	Qty.	ni Number	Item Number	See Page
1984-87	1.3L, 1342cc (Exc. HYBRID)	Exhaust Pipe, Rear	1 Req	18317	317	170
1992-95	1.5L, 1493cc D15B7	Exhaust Pipe	1 Req	18317	317	170
1980-89	1.5L, 1493cc	Exhaust Pipe	1 Req	18317	317	170

CR-V

Year	Engine	Location	Qty.	ni Number	Item Number	See Page
1997-98	2.1L 1972cc B20B4	Inline Converter Inlet	1 Req	18317	317	170
1999-01	2.1L 1972cc B20Z2	Inline Converter Inlet	1 Req	18317	317	170

ODYSSEY

Year	Engine	Location	Qty.	ni Number	Item Number	See Page
1995-97	2.2L 2156cc F22B6	Inline Converter Inlet	2 Req	18317	317	170
1995-97	2.2L 2156cc F22B6	1st Muffler Inlet	2 Req	18317	317	170
1998	2.3L 2234cc F23A7	Inline Converter Inlet	2 Req	18317	317	170
1998	2.3L 2234cc F23A7	1st Muffler Inlet	2 Req	18317	317	170

WAGOVAN

Year	Engine	Location	Qty.	ni Number	Item Number	See Page
1984-87	1.5L, 1487cc D15A2, EW1	Exhaust Pipe, Outlet	1 Req	18317	317	170

MAZDA

323

Year	Engine	Location	Qty.	ni Number	Item Number	See Page
1986-89	1.6L 1597 ci	w/2-3/8 ID Split Flange (w/GASKET 13743)		18201	15201	170

626

Year	Engine	Location	Qty.	ni Number	Item Number	See Page
1988-92	2.2L 2184 ci Exc. Turbo	w/2-3/8 ID Split Flange (w/GASKET 13743)		18201	15201	170

B2300

Year	Engine	Location	Qty.	ni Number	Item Number	See Page
1994-08	2.3L 2294cc 2295cc 2300cc	Muffler Inlet, w/Retainer Nuts	1 Req	18316	316	171

B2500

Year	Engine	Location	Qty.	ni Number	Item Number	See Page
1998-01	2.5L 2492cc	Muffler Inlet, w/Retainer Nuts	1 Req	18316	316	171

B3000

Year	Engine	Location	Qty.	ni Number	Item Number	See Page
1994-07	3.0L 2954cc 2983cc	Muffler Inlet, w/Retainer Nuts	1 Req	18316	316	171
1994-07	3.0L 2954cc 2983cc	Muffler Inlet, w/2-9/16" Split Flange (w/GASKET 13807)	1 Req	18202	15202	170

B4000

Year	Engine	Location	Qty.	ni Number	Item Number	See Page
1994-08	4.0L 4016cc	Muffler Inlet, w/Retainer Nuts	1 Req	18316	316	171
1994-08	4.0L 4016cc	Muffler Inlet, w/2-9/16" Split Flange (w/GASKET 13807)	1 Req	18202	15202	170

Flange Mounting Kits Application Information Cont.

MAZDA

MX6

Year	Engine	Location	Qty.	ni Number	Item Number	See Page
1988-92	2.2L 2184 ci Exc. Turbo	w/2-3/8 ID Split Flange (w/GASKET 13743)		18201	15201	170

NAVAJO

Year	Engine	Location	Qty.	ni Number	Item Number	See Page
1991-94	4.0L 4016cc	Muffler Inlet, w/Retainer Nuts	1 Req	18316	316	171
1991-94	4.0L 4016cc	Muffler Inlet, w/2-9/16" Split Flange (w/GASKET 13807)	1 Req	18202	15202	170

MERCURY

LNZ

Year	Engine	Location	Qty.	ni Number	Item Number	See Page
1982-83	1.6L 1598cc VIN 2, 4, 5	Converter Inlet, w/Retainer Nuts	1 Req	18316	316	167
1982-83	1.6L 1598cc VIN 2, 4, 5	Converter Inlet w/o Retainer Nuts	1 Req	18536	18536	167
1982-83	1.6L 1598cc VIN 2, 4, 5	Converter Inlet, w/ Split Flange (w/FLANGE 15109)	1 Req	18203	18203	167
1982-83	1.6L 1598cc VIN 2, 4, 5	Converter Inlet, w/Interlocking Split Flange 15195A	1 Req	18195	195	166
1982-83	1.6L 1598cc VIN 2, 4, 5	Converter Inlet, w/Interlocking Split Flange (w/GASKET 13743)	1 Req	18196A	196A	166

LYNX

Year	Engine	Location	Qty.	ni Number	Item Number	See Page
1982-85	1.6L 1598cc VIN 2, 4, 5	Converter Inlet, w/Retainer Nuts	1 Req	18316	316	167
1982-85	1.6L 1598cc VIN 2, 4, 5	Converter Inlet w/o Retainer Nuts	1 Req	18536	18536	167
1982-85	1.6L 1598cc VIN 2, 4, 5	Converter Inlet, w/ Split Flange (w/FLANGE 15109)	1 Req	18203	18203	167
1982-85	1.6L 1598cc VIN 2, 4, 5	Converter Inlet, w/Interlocking Split Flange 15195A	1 Req	18195	195	166
1982-85	1.6L 1598cc VIN 2, 4, 5	Converter Inlet, w/Interlocking Split Flange (w/GASKET 13743)	1 Req	18196A	196A	166
1985-90	1.9L 116ci VIN J, 9	Converter Inlet w/2BBL, w/Retainer Nuts	1 Req	18316	316	167
1985-90	1.9L 116ci VIN J, 9	Converter Outlet w/Fuel Inj., w/Retainer Nuts	1 Req	18316	316	167
1985-90	1.9L 116ci VIN J, 9	Converter Inlet, w/2BBL w/o Retainer Nuts	1 Req	18536	18536	167
1985-90	1.9L 116ci VIN J, 9	Converter Inlet, w/Fuel Inj. w/o Retainer Nuts	1 Req	18536	18536	167
1985-90	1.9L 116ci VIN J, 9	Converter Inlet w/2BBL, w/Split Flange (w/FLANGE 15109)	1 Req	18203	18203	167
1985-90	1.9L 116ci VIN J, 9	Converter Inlet w/2BBL, w/Interlocking Split Flange 15195A	1 Req	18195	195	166
1985-90	1.9L 116ci VIN J, 9	Converter Outlet w/ Fuel Inj., w/ Split Flange (w/FLANGE 15109)	1 Req	18203	18203	167
1985-90	1.9L 116ci VIN J, 9	Converter Outlet w/ Fuel Inj., w/Interlocking Split Flange 15195A	1 Req	18195	195	166
1985-90	1.9L 116ci VIN J, 9	Converter Inlet w/2BBL, w/Interlocking Split Flange (W/13743 GASKET)	1 Req	18196A	196A	166
1985-90	1.9L 116ci VIN J, 9	Converter Outlet w/2BBL, w/Interlocking Split Flange (w/13743 GASKET)	1 Req	18196A	196A	166
1984-87	2.0L 122ci (Diesel) VIN H	Converter Inlet, w/Retainer Nuts	1 Req	18316	316	167
1984-87	2.0L 122ci (Diesel) VIN H	Converter Inlet w/o Retainer Nuts	1 Req	18536	18536	167
1984-87	2.0L 122ci (Diesel) VIN H	Converter Inlet w/Split Flange (w/FLANGE 15109)	1 Req	18203	18203	167

Flange Mounting Kits Application Information Cont.

MERCURY

LYNX (continued)

Year	Engine	Location	Qty.	ni Number	Item Number	See Page
1984-87	2.0L 122ci (Diesel) VIN H	Converter Inlet, w/Interlocking Split Flange 15195A	1 Req	18195	195	166
1984-87	2.0L 122ci (Diesel) VIN H	Converter Inlet, w/Interlocking Split Flange (w/GASKET 13743)	1 Req	18196A	196A	166

MARINER

Year	Engine	Location	Qty.	ni Number	Item Number	See Page
1998-00	4.0L 245ci VIN E	Muffler Inlet, w/Retainer Nuts	1 Req	18316	316	167
1998-00	4.0L 245ci VIN E	Converter Outlet, w/ 2-9/16" Split Flange & Retainer Nuts (w/GASKET 13807)	1 Req	18202	15202	167

SABLE

Year	Engine	Location	Qty.	ni Number	Item Number	See Page
1986	2.5L 153ci VIN D	Converter Inlet, w/Retainer Nuts	1 Req	18316	316	167
1986	2.5L 153ci VIN D	Converter Inlet w/o Retainer Nuts	1 Req	18536	18536	167
1986	2.5L 153ci VIN D	Converter Inlet w/Split Flange (w/FLANGE 15109)	1 Req	18203	18203	167
1986	2.5L 153ci VIN D	Converter Inlet, w/Interlocking Split Flange 15195A	1 Req	18195	195	166
1986	2.5L 153ci VIN D	Converter Inlet, w/Interlocking Split Flange (w/GASKET 13743)	1 Req	18196A	196A	166
1986	2.5L 153 ci	w/2-3/8 ID Split Flange (w/GASKET 13743)	1 Req	18201	15201	167
1986-95	3.0L 182ci VIN U	Converter Inlet, w/Retainer Nuts	1 Req	18316	316	167
1986-95	3.0L 182ci VIN U	Converter Inlet, w/o Retainer Nuts	1 Req	18536	18536	167
1986-95	3.0L 182ci VIN U	Converter Inlet w/Split Flange (w/FLANGE 15109)	1 Req	18203	18203	167
1986-95	3.0L 182ci VIN U	Converter Inlet, w/Interlocking Split Flange 15195A	1 Req	18195	195	166
1986-95	3.0L 182ci VIN U	Converter Inlet, w/Interlocking Split Flange (w/GASKET 13807)	1 Req	18537	18537	168
1986-95	3.0L 182ci VIN U	Converter Inlet, w/2-9/16" Split Flange (w/GASKET 13807)	1 Req	18202	15202	167
1991-92	3.8L 232ci VIN 4	Converter Inlet, w/Retainer Nuts	1 Req	18316	316	167

TOPAZ

Year	Engine	Location	Qty.	ni Number	Item Number	See Page
1984-86	2.0L 122ci (Diesel) VIN H	Converter Inlet, w/Retainer Nuts	1 Req	18316	316	167
1984-86	2.0L 122ci (Diesel) VIN H	Converter Inlet, w/o Retainer Nuts	1 Req	18536	18536	167
1984-86	2.0L 122ci (Diesel) VIN H	Converter Inlet w/Split Flange (w/FLANGE 15109)	1 Req	18203	18203	167
1984-86	2.0L 122ci (Diesel) VIN H	Converter Inlet, w/Interlocking Split Flange 15195A	1 Req	18195	195	166
1984-86	2.0L 122ci (Diesel) VIN H	Converter Inlet, w/Interlocking Split Flange (w/GASKET 13743)	1 Req	18196A	196A	166
1984-91	2.3L 140ci VIN R, S, X	Converter Inlet, w/Retainer Nuts	1 Req	18316	316	167
1984-91	2.3L 140ci VIN R, S, X	Converter Inlet, w/o Retainer Nuts	1 Req	18536	18536	167
1984-91	2.3L 140ci VIN R, S, X	Converter Inlet w/Split Flange (w/FLANGE 15109)	1 Req	18203	18203	167
1984-91	2.3L 140ci VIN R, S, X	Converter Inlet, w/Interlocking Split Flange 15195A	1 Req	18195	195	166

Flange Mounting Kits Application Information Cont.

MERCURY

TOPAZ (continued)

Year	Engine	Location	Qty.	ni Number	Item Number	See Page
1984-91	2.3L 140ci VIN R, S, X	Converter Inlet, w/Interlocking Split Flange (w/GASKET 13743)	1 Req	18196A	196A	166
1984-91	2.3L 140 ci	w/2-3/8 ID Split Flange (w/GASKET 13743)	1 Req	18201	15201	167

OLDSMOBILE

CUTLASS CIERA

Year	Engine	Location	Qty.	ni Number	Item Number	See Page
1982-83	2.5L 151ci VIN 5, R	Exhaust Pipe, Front	1 Req	18313	313	169
1986-89	2.8L 173ci VIN W	Exhaust Pipe, Front	1 Req	18313	313	169
1994-96	3.1L 189ci VIN M	Exhaust Pipe, Front	1 Req	18310	310	169
1989-93	3.3L 204ci VIN N	Exhaust Pipe, Front	1 Req	18310	310	169
1984-88	3.8L 231ci VIN 3	Exhaust Pipe, Front	1 Req	18310	310	169

CUTLASS CUSTOM CRUISER

Year	Engine	Location	Qty.	ni Number	Item Number	See Page
1987-90	2.5L 151ci VIN R	Exhaust Pipe, Front	1 Req	18310	310	169
1987-89	2.8L 173ci VIN W	Exhaust Pipe, Front	1 Req	18313	313	169
1994	3.1L 189ci VIN M	Exhaust Pipe, Front	1 Req	18310	310	169
1992-93	3.3L 204ci VIN N	Exhaust Pipe, Front	1 Req	18310	310	169
1989-90	3.3L 204ci VIN N	Exhaust Pipe, Front	1 Req	18310	310	169
1987-88	3.8L 231ci VIN 3	Exhaust Pipe, Front	1 Req	18310	310	169
1981-83	5.0L 307ci VIN Y	Exhaust Pipe, Front	1 Req	18314	18314	169

CUTLASS SALON

Year	Engine	Location	Qty.	ni Number	Item Number	See Page
1985-87	3.8L 231ci VIN A	Exhaust Pipe, Front	1 Req	18313	313	169
1980	5.0L 305ci VIN H	Exhaust Pipe, Front	1 Req	18313	313	169
1980-81	5.0L 307ci VIN 9	Exhaust Pipe, Front	1 Req	18314	18314	169
1986-87	5.0L 307ci VIN Y	Exhaust Pipe, Front	1 Req	18314	18314	169
1985	5.0L 307ci VIN Y	Exhaust Pipe, Front, Exc. 442	1 Req	18314	18314	169

CUTLASS SUPREME

Year	Engine	Location	Qty.	ni Number	Item Number	See Page
1990-91	2.3L 138ci VIN A, D	Exhaust Pipe, Front	1 Req	18313	313	169
1988-89	2.8L 173ci VIN W	Exhaust Pipe, Front	1 Req	18310	310	169
1989-97	3.1L 189ci VIN M, T	Exhaust Pipe, Front	1 Req	18310	310	169
1991-96	3.4L 207ci VIN X	Exhaust Pipe, Front	1 Req	18310	310	169
1981-87	3.8L 231ci VIN A	Exhaust Pipe, Front	1 Req	18310	310	169
1982-84	4.3L 260ci VIN V	Exhaust Pipe, Front	1 Req	18310	310	169
1982	4.3L 260ci VIN 8	Exhaust Pipe, Front	1 Req	18314	18314	169
1982	4.4L 267ci VIN J	Exhaust Pipe, Front	1 Req	18314	18314	169
1987	5.0L 307ci VIN 9	Exhaust Pipe, Front	1 Req	18311	311	169
1984	5.0L 307ci VIN 9	Exhaust Pipe, Front	1 Req	18311	311	169
1984-88	5.0L 307ci VIN Y	Exhaust Pipe, Front	1 Req	18314	18314	169

DELTA 88

Year	Engine	Location	Qty.	ni Number	Item Number	See Page
1986	3.0L 181ci VIN L	Exhaust Pipe, Front	1 Req	18313	313	169
1986-91	3.8L 231ci VIN 3, 6	Exhaust Pipe, Front	1 Req	18313	313	169
1982-85	5.0L 307ci VIN Y	Exhaust Pipe, Front	1 Req	18311	311	169

Flange Mounting Kits Application Information Cont.

OLDSMOBILE

FIRENZA

Year	Engine	Location	Qty.	ni Number	Item Number	See Page
1982-86	1.8L 112ci VIN 0, G	Exhaust Pipe, Front	1 Req	18313	313	169
1983-88	2.0L 121ci VIN 1, B, K, P	Exhaust Pipe, Front	1 Req	18313	313	169
1985-86	2.8L 173ci VIN W	Exhaust Pipe, Front	1 Req	18313	313	169

LSS

Year	Engine	Location	Qty.	ni Number	Item Number	See Page
1982-84	2.5L 151ci VIN R	Exhaust Pipe, Front	1 Req	18310	310	169

OMEGA

Year	Engine	Location	Qty.	ni Number	Item Number	See Page
1981-84	2.8L 173ci VIN X, Z	Exhaust Pipe, Front	1 Req	18310	310	169

TORONADO

Year	Engine	Location	Qty.	ni Number	Item Number	See Page
1986-92	3.8L 231ci VIN 3, B, C, L	Exhaust Pipe, Front	1 Req	18310	310	169
1980-85	5.0L 307ci VIN Y	Exhaust Pipe, Front	1 Req	18311	311	169

PLYMOUTH

ACCLAIM

Year	Engine	Location	Qty.	ni Number	Item Number	See Page
1989-95	2.5L 153ci VIN D, J, K, V	Exhaust Pipe, Front, w/Retainer Nuts	1 Req	18539	18539	166
1989-95	2.5L 153ci VIN D, J, K, V	Exhaust Pipe, Front w/o Retainer Nuts	1 Req	18194	194	166
1989-95	2.5L 153ci VIN D, J, K, V	Exhaust Pipe, Front, w/Interlocking Split Flange	1 Req	18192	192	166
1989-95	3.0L 181ci VIN 3	Exhaust Pipe, w/o Retainer Nuts	1 Req	18194	194	166
1989-95	3.0L 181ci VIN 3	Exhaust Pipe, Front, w/Retainer Nuts	1 Req	18539	18539	166

BREEZE

Year	Engine	Location	Qty.	ni Number	Item Number	See Page
1996-97	2.0L 122ci VIN C	Exhaust Pipe, Front, w/ Retainer Nuts	1 Req	18539	18539	166
1996-97	2.0L 122ci VIN C	Exhaust Pipe, Front, w/o Retainer Nuts	1 Req	18194	194	166

CARAVELLE

Year	Engine	Location	Qty.	ni Number	Item Number	See Page
1983-88	2.2L 135ci VIN C, D, E, K	Exhaust Pipe, Front, w/Retainer Nuts	1 Req	18539	18539	166
1983-88	2.2L 135ci VIN C, D, E, K	Exhaust Pipe, Front, w/o Retainer Nuts	1 Req	18194	194	166
1983-88	2.2L 135ci VIN C, D, E, K	Exhaust Pipe, Front, w/Interlocking Split Flange	1 Req	18192	192	166
1983-85	2.6L 156ci VIN 7, G	Exhaust Pipe, Front, w/Retainer Nuts	1 Req	18539	18539	166
1983-85	2.6L 156ci VIN 7, G	Exhaust Pipe, Front, w/o Retainer Nuts	1 Req	18194	194	166
1983-85	2.6L 156ci VIN 7, G	Exhaust Pipe, Front, w/Interlocking Split Flange	1 Req	18192	192	166

GRAND VOYAGER

Year	Engine	Location	Qty.	ni Number	Item Number	See Page
1988	2.5L 153ci VIN K	Converter Inlet, w/Retainer Nuts	1 Req	18539	18539	166
1988	2.5L 153ci VIN K	Converter Outlet, w/o Retainer Nuts	1 Req	18194	194	166
1988	2.5L 153ci VIN K	Converter Inlet, w/Interlocking Split Flange	1 Req	18192	192	166
1988-95	3.0L 181ci VIN 3	Converter Inlet, w/Retainer Nuts	1 Req	18539	18539	166

Flange Mounting Kits Application Information Cont.

PLYMOUTH

GRAND VOYAGER (continued)

Year	Engine	Location	Qty.	ni Number	Item Number	See Page
1988-95	3.0L 181ci VIN 3	Converter Outlet, w/o Retainer Nuts	1 Req	18194	194	166
1990-95	3.3L 201ci VIN R	Converter Inlet, w/Retainer Nuts	1 Req	18539	18539	166
1990-95	3.3L 201ci VIN R	Converter Inlet, w/o Retainer Nuts	1 Req	18194	194	166
1994-95	3.8L 230ci VIN L	Converter Inlet, w/Retainer Nuts	1 Req	18539	18539	166
1994-95	3.8L 230ci VIN L	Converter Inlet, w/o Retainer Nuts	1 Req	18194	194	166

HORIZON

Year	Engine	Location	Qty.	ni Number	Item Number	See Page
1983-86	1.6L 98ci (1595cc) VIN A, 3	Exhaust Pipe, Front, w/Retainer Nuts	1 Req	18539	18539	166
1983-86	1.6L 98ci (1595cc) VIN A, 3	Exhaust Pipe, Front, w/o Retainer Nuts	1 Req	18194	194	166
1983-86	1.6L 98ci (1595cc) VIN A, 3	Exhaust Pipe, Front, w/Interlocking Split Flange	1 Req	18192	192	166
1981-83	1.7L 105ci VIN A, B	Exhaust Pipe, Front, w/Retainer Nuts	1 Req	18539	18539	166
1981-83	1.7L 105ci VIN A, B	Exhaust Pipe, Front, w/o Retainer Nuts	1 Req	18194	194	166
1981-83	1.7L 105ci VIN A, B	Exhaust Pipe, Front, w/Interlocking Split Flange	1 Req	18192	192	166
1981-90	2.2L 135ci i VIN B, C, D, 8	Exhaust Pipe, Front, w/Retainer Nuts	1 Req	18539	18539	166
1981-90	2.2L 135ci i VIN B, C, D, 8	Exhaust Pipe, Front, w/o Retainer Nuts	1 Req	18194	194	166
1981-90	2.2L 135ci i VIN B, C, D, 8	Exhaust Pipe, Front, w/Interlocking Split Flange	1 Req	18192	192	166

NEON

Year	Engine	Location	Qty.	ni Number	Item Number	See Page
1995-99	2.0L 122ci VIN C, Y	Exhaust Pipe, Front	1 Req	18194	194	166
1995-99	2.0L 122ci VIN C, Y	Exhaust Pipe, Front	1 Req	18539	18539	166

RELIANT

Year	Engine	Location	Qty.	ni Number	Item Number	See Page
1981-89	2.2L 135ci VIN B, C, D	Exhaust Pipe, Front, w/Retainer Nuts	1 Req	18539	18539	166
1981-89	2.2L 135ci VIN B, C, D	Exhaust Pipe, Front, w/o Retainer Nuts	1 Req	18194	194	166
1981-89	2.2L 135ci VIN B, C, D	Exhaust Pipe, Front, w/Interlocking Split Flange	1 Req	18192	192	166
1986-89	2.5L 153ci VIN K	Exhaust Pipe, Front, w/Retainer Nuts	1 Req	18539	18539	166
1986-89	2.5L 153ci VIN K	Exhaust Pipe, Front, w/o Retainer Nuts	1 Req	18194	194	166
1986-89	2.5L 153ci VIN K	Exhaust Pipe, Front, w/Interlocking Split Flange	1 Req	18192	192	166
1981-85	2.6L 156ci VIN 7, D, G	Exhaust Pipe, Front, w/Retainer Nuts	1 Req	18539	18539	166
1981-85	2.6L 156ci VIN 7, D, G	Exhaust Pipe, Front, w/o Retainer Nuts	1 Req	18194	194	166
1981-85	2.6L 156ci VIN 7, D, G	Exhaust Pipe, Front, w/Interlocking Split Flange	1 Req	18192	192	166

SAPPORO

Year	Engine	Location	Qty.	ni Number	Item Number	See Page
1983-85	2.6L 156ci VIN 7	Exhaust Pipe, Front, w/Retainer Nuts	1 Req	18539	18539	166
1983-85	2.6L 156ci VIN 7	Exhaust Pipe, Front, w/o Retainer Nuts	1 Req	18194	194	166
1983-85	2.6L 156ci VIN 7	Exhaust Pipe, Front, w/Interlocking Split Flange	1 Req	18192	192	166

Flange Mounting Kits Application Information Cont.

PLYMOUTH

SCAMP

Year	Engine	Location	Qty.	ni Number	Item Number	See Page
1983-85	2.2L 135ci VIN C	Exhaust Pipe, Front, w/Retainer Nuts	1 Req	18539	18539	166
1983-85	2.2L 135ci VIN C	Exhaust Pipe, Front, w/o Retainer Nuts	1 Req	18194	194	166
1983-85	2.2L 135ci VIN C	Exhaust Pipe, Front, w/Interlocking Split Flange	1 Req	18192	192	166

SUNDANCE

Year	Engine	Location	Qty.	ni Number	Item Number	See Page
1987-94	2.2L 135ci VIN D, E	Exhaust Pipe, Front, w/Retainer Nuts	1 Req	18539	18539	166
1987-94	2.2L 135ci VIN D, E	Exhaust Pipe, Front, w/o Retainer Nuts	1 Req	18194	194	166
1987-94	2.2L 135ci VIN D, E	Exhaust Pipe, Front, w/Interlocking Split Flange	1 Req	18192	192	166
1988-94	2.5L 153ci VIN J, K	Exhaust Pipe, Front, w/Retainer Nuts	1 Req	18539	18539	166
1988-94	2.5L 153ci VIN J, K	Exhaust Pipe, Front, w/o Retainer Nuts	1 Req	18194	194	166
1988-94	2.5L 153ci VIN J, K	Exhaust Pipe, Front, w/Interlocking Split Flange	1 Req	18192	192	166
1992-93	3.0L 181ci VIN 3	Exhaust Pipe, Front, w/Retainer Nuts	1 Req	18539	18539	166
1992-93	3.0L 181ci VIN 3	Exhaust Pipe, Front, w/o Retainer Nuts	1 Req	18194	194	166

TURISMO

Year	Engine	Location	Qty.	ni Number	Item Number	See Page
1983-85	1.6L 98ci (1595cc) VIN 3, A	Exhaust Pipe, Front, w/Retainer Nuts	1 Req	18539	18539	166
1983-85	1.6L 98ci (1595cc) VIN 3, A	Exhaust Pipe, Front, w/o Retainer Nuts	1 Req	18194	194	166
1983-85	1.6L 98ci (1595cc) VIN 3, A	Exhaust Pipe, Front, w/Interlocking Split Flange	1 Req	18192	192	166

VOYAGER

Year	Engine	Location	Qty.	ni Number	Item Number	See Page
1984-87	2.2L 135ci VIN C	Converter Inlet, w/Retainer Nuts	1 Req	18539	18539	166
1984-87	2.2L 135ci VIN C	Converter Inlet, w/o Retainer Nuts	1 Req	18194	194	166
1984-87	2.2L 135ci VIN C	Converter Inlet, w/Interlocking Split Flange	1 Req	18192	192	166
1987-95	2.5L 153ci VIN J, K	Converter Inlet, w/Retainer Nuts	1 Req	18539	18539	166
1987-95	2.5L 153ci VIN J, K	Converter Inlet, w/o Retainer Nuts	1 Req	18194	194	166
1987-95	2.5L 153ci VIN J, K	Converter Inlet, w/Interlocking Split Flange	1 Req	18192	192	166
1984-87	2.6L 156ci VIN G	Converter Inlet, w/Retainer Nuts	1 Req	18539	18539	166
1984-87	2.6L 156ci VIN G	Converter Inlet, w/o Retainer Nuts	1 Req	18194	194	166
1989-90	2.6L 156ci VIN G	Converter Inlet, w/Interlocking Split Flange	1 Req	18192	192	166
1987-95	3.0L 181ci VIN 3	Converter Inlet, w/Retainer Nuts	1 Req	18539	18539	166
1987-95	3.0L 181ci VIN 3	Converter Inlet, w/o Retainer Nuts	1 Req	18194	194	166
1994-95	3.3L 201ci VIN J	Converter Inlet, w/Retainer Nuts	1 Req	18539	18539	166
1994-95	3.3L 201ci VIN J	Converter Inlet, w/o Retainer Nuts	1 Req	18194	194	166
1991-95	3.3L 201ci VIN R	Converter Inlet, w/Retainer Nuts	1 Req	18539	18539	166
1991-95	3.3L 201ci VIN R	Converter Inlet, w/o Retainer Nuts	1 Req	18194	194	166

PONTIAC

6000

Year	Engine	Location	Qty.	ni Number	Item Number	See Page
1982-91	2.5L 151ci VIN R	Exhaust Pipe, Front	1 Req	18310	310	169
1982-89	2.8L 173ci VIN W, X	Exhaust Pipe, Front	1 Req	18310	310	169
1988-91	3.1L 189ci VIN T	Exhaust Pipe, Front	1 Req	18310	310	169

Flange Mounting Kits Application Information Cont.

PONTIAC

BONNEVILLE

Year	Engine	Location	Qty.	ni Number	Item Number	See Page
1987-96	3.8L 231ci VIN 1, 3, C, K, L	Exhaust Pipe, Front	1 Req	18313	313	169
1982-84	5.7L 350ci VIN N	Exhaust Pipe, Front	1 Req	18314	18314	169

FIERO

Year	Engine	Location	Qty.	ni Number	Item Number	See Page
1984-88	2.5L 151ci VIN R	Exhaust Pipe, Front	1 Req	18310	310	169
1985-88	2.8L 173ci VIN 9	Exhaust Pipe, Front	1 Req	18310	310	169

FIREFLY

Year	Engine	Location	Qty.	ni Number	Item Number	See Page
1985-95	1.0L 61ci	Converter Inlet	1 Req	18304	18304	168

GRAND AM

Year	Engine	Location	Qty.	ni Number	Item Number	See Page
1987-89	2.0L 122ci VIN M	Exhaust Pipe, Front	1 Req	18313	313	169
1988-95	2.3L 138ci VIN 3, D, A	Exhaust Pipe, Front	1 Req	18313	313	169
1985-91	2.5L 151ci VIN U	Exhaust Pipe, Front	1 Req	18310	310	169
1985-87	3.0L 181ci VIN L	Exhaust Pipe, Front	1 Req	18310	310	169
1994-98	3.1L 189ci VIN M	Exhaust Pipe, Front	1 Req	18310	310	169
1992-93	3.3L 204ci VIN N	Exhaust Pipe, Front	1 Req	18310	310	169

GRAND PRIX

Year	Engine	Location	Qty.	ni Number	Item Number	See Page
1990-91	2.3L 138ci VIN D	Exhaust Pipe, Front	1 Req	18313	313	169
1988-89	2.8L 173ci VIN W	Exhaust Pipe, Front	1 Req	18310	310	169
1989-93	3.1L 189ci VIN T	Exhaust Pipe, Front	1 Req	18310	310	169
1991-96	3.4L 207ci VIN X	Exhaust Pipe, Front	1 Req	18310	310	169
1981-84	5.7L 350ci VIN N	Exhaust Pipe, Front	1 Req	18314	18314	169

TRANS SPORT

Year	Engine	Location	Qty.	ni Number	Item Number	See Page
1990-95	3.1L 189ci VIN D	Converter Inlet	1 Req	18310	310	169
1992-95	3.8L 231ci VIN L	Converter Inlet	1 Req	18310	310	169

SUBARU

BRAT

Year	Engine	Location	Qty.	ni Number	Item Number	See Page
1978-80	1.6L 1595cc	Converter Inlet	1 Req	18315	315	171
1980-87	1.8L 1781cc	Converter Inlet	1 Req	18315	315	171

DL

Year	Engine	Location	Qty.	ni Number	Item Number	See Page
1976-84	1.6L 1595cc	Converter Inlet	1 Req	18315	315	171
1980-89	1.8L 1781cc	Converter Inlet	1 Req	18315	315	171

FE

Year	Engine	Location	Qty.	ni Number	Item Number	See Page
1979	1.6L 1595cc	Converter Inlet	1 Req	18315	315	171

Flange Mounting Kits Application Information Cont.

SUBARU

FORESTER

Year	Engine	Location	Qty.	ni Number	Item Number	See Page
1979	1.6L 1595cc	Converter Inlet	1 Req	18315	315	171

GF

Year	Engine	Location	Qty.	ni Number	Item Number	See Page
1976-79	1.6L 1595cc	Converter Inlet	1 Req	18315	315	171

GL

Year	Engine	Location	Qty.	ni Number	Item Number	See Page
1986-87	1.6L 1595cc	Converter Inlet	1 Req	18315	315	171
1980-89	1.8L 1781cc	Converter Inlet	1 Req	18315	315	171

GL-10

Year	Engine	Location	Qty.	ni Number	Item Number	See Page
1985-89	1.8L 1781cc	Converter Inlet	1 Req	18315	315	171

GLF

Year	Engine	Location	Qty.	ni Number	Item Number	See Page
1980	1.6L 1595cc	Converter Inlet	1 Req	18315	315	171
1980-82	1.8L 1781cc	Converter Inlet	1 Req	18315	315	171

LEGACY

Year	Engine	Location	Qty.	ni Number	Item Number	See Page
1990-98	2.2L 2212cc	Converter Inlet	1 Req	18315	315	171
1996-98	2.5L 2458cc	Converter Inlet	1 Req	18315	315	171

LOYALE

Year	Engine	Location	Qty.	ni Number	Item Number	See Page
1990-94	1.8L 1781cc	Converter Inlet	1 Req	18315	315	171

RX

Year	Engine	Location	Qty.	ni Number	Item Number	See Page
1986-89	1.8L 1781cc	Converter Inlet	1 Req	18315	315	171

STANDARD

Year	Engine	Location	Qty.	ni Number	Item Number	See Page
1977-87	1.6L 1595cc	Converter Inlet	1 Req	18315	315	171
1987	1.8L 1781cc	Converter Inlet	1 Req	18315	315	171
1981-82	1.8L 1781cc	Converter Inlet	1 Req	18315	315	171

XT

Year	Engine	Location	Qty.	ni Number	Item Number	See Page
1985-91	1.8L 1781cc	Converter Inlet	1 Req	18315	315	171
1988-91	2.7L 3213ci	Converter Inlet	1 Req	18315	315	171

GRAND VITARI

Year	Engine	Location	Qty.	ni Number	Item Number	See Page
2006-08	2.5L 2500cc	Inline Converter Inlet	1 Req	18304	18304	171
2006-08	2.5L 2500cc	Inline Converter Outlet	1 Req	18304	18304	171
2002-05	2.5L 2500cc	JS3TE62V24151392 (2WD)	1 Req	18304	18304	171

Flange Mounting Kits Application Information Cont.

SUZUKI

GRAND VITARI (continued)

Year	Engine	Location	Qty.	ni Number	Item Number	See Page
2002-05	2.5L 2500cc	Inline Converter Inlet , Left, From VIN JS3TD62V 24153267 (4WD)	1 Req	18304	18304	171
2002-05	2.5L 2500cc	Inline Converter Outlet, From VIN JS3TE62V24151392 (2WD)	2 Req	18304	18304	171
2002-05	2.5L 2500cc	Inline Converter Outlet, From VIN JS3TD62V 24153267 (4WD)	2 Req	18304	18304	171
1999-02	2.5L 2500cc	Inline Converter Inlet, To VIN JS3TE62V24151391 (2WD)	1 Req	18304	18304	171
1999-02	2.5L 2500cc	Inline Converter Outlet, To VIN JS3TE62V24151391 (2WD)	1 Req	18304	18304	171
1999-02	2.5L 2500cc	Inline Converter Inlet, To VIN JS3TD62V 24153266 (4WD)	1 Req	18304	18304	171
1999-02	2.5L 2500cc	Inline Converter Outlet, To VIN JS3TD62V 24153266 (4WD)	1 Req	18304	18304	171

SAMURI

Year	Engine	Location	Qty.	ni Number	Item Number	See Page
1992-94	1.3L 1298cc SOHC	Converter Inlet	1 Req	18304	18304	171
1985-95	1.3L 1325cc	Converter Inlet	1 Req	18304	18304	171

SIDEKICK

Year	Engine	Location	Qty.	ni Number	Item Number	See Page
1989-91	1.3L 1325cc	Converter Inlet	1 Req	18304	18304	171
1994-98	1.6L 1590cc	Exhaust Pipe, Front,	1 Req	18304	18304	171
1993	1.6L 1590cc	Exhaust Pipe, Front, Calif.	1 Req	18304	18304	171
1993	1.6L 1590cc	Converter Inlet Exc. Calif.	1 Req	18304	18304	171
1989-92	1.6L 1590cc	Converter Inlet	1 Req	18304	18304	171

VITARI

Year	Engine	Location	Qty.	ni Number	Item Number	See Page
2000-01	1.6L 1590cc	Exhaust Pipe Exc. Calif., Front,	1 Req	18304	18304	171
1999-03	2.1L 2000cc	Manifold Mounted Converter Inlet Calif.	1 Req	18304	18304	171
1999-00	2.1L 2000cc	Exhaust Pipe, Front, Exc. Calif.	1 Req	18304	18304	171
1999-00	2.1L 2000cc	Converter Inlet Exc. Calif.	1 Req	18304	18304	171
2004	2.5L 2500cc	Inline Converter Outlet	1 Req	18304	18304	171

XL-7

Year	Engine	Location	Qty.	ni Number	Item Number	See Page
2004-06	2.7L 2737cc	Inlet Converter Outlet,, From VIN JS3TY62V24102914 (2WD)	1 Req	18304	18304	171
2004-06	2.7L 2737cc	Inlet Converter Outlet, From VIN JS3TX62V24108346 (4WD)	1 Req	18304	18304	171
2004-06	2.7L 2737cc	Inline Converter Inlet	1 Req	18304	18304	171

Flange Mounting Kits

18317 **317**



2 ea. 12371
2 ea. 12153
2 ea. 12322
8mm x 1.25P

A. 4682 M. FMK491
R. ES491 W. 35129

ACURA

18192 **192**




1 ea. 12153
2 ea. 12734
2 ea. 12561
2 ea. 12153

A. N/A M. FMK949
R. ES522 W. 31953

CHRYSLER/DODGE

18194 **194**



2 ea. 12561
2 ea. 12153
2 ea. 12734

A. 4678 M. FMK423
R. ES423 W. 35908

CHRYSLER/DODGE

18539 **18539**



2 ea. 12561
2 ea. 12153
2 ea. 12734
2 ea. 12153

A. N/A M. FMK487
R. ES487 W. 35031

CHRYSLER/DODGE

18195 **195**



1 ea. 15195A
2 ea. 12321
2 ea. 12324
2 ea. 12325

A. 8041 M. FMK947
R. ES520 W. N/A

FORD

18196A **196A**








1 ea. 15195A
2 ea. 12321
2 ea. 12324
1 ea. 13743
2 ea. 12325
10mm x 1.50P

A. 8040 M. FMK946
R. ES519 W. N/A





FORD




A. AP/GOERLICH'S; M. MARWIL; R. ROL; W. WALKER

Flange Mounting Kits

18201	15201
<p>1 ea. 13743</p>  <p>2-3/8" Flange 15109 1 ea.</p> 	<p>2 ea. 12321</p>  <p>2 ea. 12324</p>  <p>2 ea. 12325</p>  <p>10mm x 1.50P</p>
A. N/A R. ES498	M. FMK498 W. 35455

18202	18202
<p>1 ea. 13807</p>  <p>2-9/16" Flange 15104 1 ea.</p> 	<p>2 ea. 12321</p>  <p>2 ea. 12325</p>  <p>2 ea. 12324</p>  <p>10mm x 1.50P</p>
A. N/A R. ES504	M. FMK923 W. 36128

18203	18203
<p>2-3/8" Flange 15109 1 ea.</p> 	<p>2 ea. 12321</p>  <p>2 ea. 12324</p>  <p>2 ea. 12325</p>  <p>10mm x 1.50P</p>
A. N/A R. ES499	M. FMK499 W. N/A

18316	316
<p>2 ea. 12321</p>  <p>2 ea. 12325</p> 	<p>2 ea. 12324</p>  <p>10mm x 1.50P</p>
A. 4973 R. ES510	M. FMK927 W. 36129

18317	317
<p>2 ea. 12153</p> 	<p>2 ea. 12371</p>  <p>2 ea. 12322</p>  <p>8mm x 1.25P</p>
A. 4682 R. ES491	M. FMK491 W. 35129

18536	18536
<p>2 ea. 12156</p> 	<p>2 ea. 12321</p>  <p>2 ea. 12324</p>  <p>10mm x 1.50P</p>
A. N/A R. ES481	M. FMK451 W. N/A

A. AP/GOERLICH'S; M. MARWIL; R. ROL; W. WALKER





Flange Mounting Kits

18537	18537
<p>1 ea. 13807</p> 	<p>2 ea. 12321</p> 
<p>1 ea. 15195A</p> 	<p>2 ea. 12324</p> 
	<p>2 ea. 12325</p> 
	10mm x 1.50P
A. N/A	M. FMK969
R. ES539	W. N/A

18304	18304
<p>2 ea. 12327</p> 	<p>2 ea. 12371</p> 
<p>2 ea. 12433</p> 	<p>2 ea. 12032</p> 
	10mm x 1.25P x 70mm
A. 4680	M. FMK995
R. ES529	W. 36454

18305	18305
<p>3 ea. 12106</p> 	<p>3 ea. 12370</p> 
	<p>3 ea. 12311</p> 
	CAUTION: 3/8" USS/UNC
A. N/A	M. FMK941
R. ES517	W. N/A

18306	306
<p>1 ea. 15034</p> 	<p>3 ea. 12734</p> 
<p>2 ea. 12562</p> 	<p>1 ea. 13737</p> 
	<p>2 ea. 12156</p> 
	CAUTION: 10mm x 1.50P
A. N/A	M. FMK433
R. ES433	W. N/A

18307	307
<p>1 ea. 15017</p> 	<p>3 ea. 12370</p> 
	<p>3 ea. 12323</p> 
	<p>1 ea. 13735</p> 
	CAUTION: 10mm x 1.50P
A. N/A	M. FMK434
R. ES434	W. N/A

18309	318
<p>3 ea. 12106</p> 	<p>3 ea. 12370</p> 
	<p>3 ea. 12361</p> 
	CAUTION: 10mm x 1.50P
A. 8038	M. FMK925
R. ES506	W. 36463

A. AP/GOERLICH'S; M. MARWIL; R. ROL; W. WALKER

Flange Mounting Kits

18310 **310**



2 ea.
12156

3 ea.
12734

2 ea.
12562

CAUTION: 10mm x 1.50P

A. 4970 M. FMK441
R. ES441 W. N/A

18311 **311**



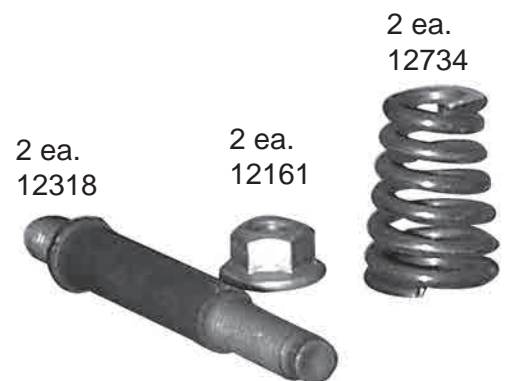
2 ea.
12370

2 ea.
12323

3/8" USS/UNC

A. 4681 M. ES402
R. ES402 W. N/A

18313 **313**



2 ea.
12318

2 ea.
12161

2 ea.
12734

10mm x 1.50P

A. 4974 M. FMK449
R. ES486 W. 36279

18314 **18314**



3 ea.
12370

3 ea.
12103

3 ea.
12323

A. 4972 M. FMK442
R. ES442 W. N/A

18318 **15318**



1 ea.
13841

3 ea.
12370

3 ea.
12161

3 ea.
12361

10mm x 1.50P

A. N/A M. FMK951
R. ES524 W. N/A

18319 **319**



3 ea.
12370

3 ea.
12313

3 ea.
12106

CAUTION: 3/8 USS/UNC

A. 8037 M. FMK942
R. ES518 W. N/A

A. AP/GOERLICH'S; M. MARWIL; R. ROL; W. WALKER

Flange Mounting Kits

18534 **18534**

3 ea. 12106
3 ea. 12370
3 ea. 12360

CAUTION: 3/8" USS/UNC

A. N/A M. FMK932
R. ES516 W. N/A

GM

18535 **18535**

13841
3 ea. 12370
3 ea. 12106
3 ea. 12360

3/8" USS/UNC

A. N/A M. FMK952
R. ES525 W. N/A

GM

18538 **15538**

13841
3 ea. 12370
3 ea. 12161
3 ea. 12326

3/8" USS/UNC

A. N/A M. FMK953
R. ES526 W. N/A

GM

18317 **317**

2 ea. 12371
2 ea. 12153
2 ea. 12322

8mm x 1.25P

A. 4682 M. FMK491
R. ES491 W. 35129

HONDA

18201 **15201**

13743
2 ea. 12321
2 ea. 12324
1 ea. 15109
2 ea. 12325

10mm x 1.50P

A. N/A M. FMK498
R. ES498 W. 35455

MAZDA

18202 **15202**

1 ea. 13807
2 ea. 12321
2 ea. 12325
2-9/16" Flange 15104
1 ea. 15104
2 ea. 12324

10mm x 1.50P

A. N/A M. FMK923
R. ES504 W. 36128

MAZDA

A. AP/GOERLICH'S; M. MARWIL; R. ROL; W. WALKER

Flange Mounting Kits

18316 **316**

2 ea. 12321

2 ea. 12324

2 ea. 12325

10mm x 1.50P

A. 4973 M. FMK927
 R. ES510 W. 36129

18315 **315**

2 ea. 12319

2 ea. 12320

2 ea. 12152

8mm x 1.25P

A. 8039 M. FMK450
 R. ES489 W. 35412

MAZDA

SUBARU

18304 **18304**

2 ea. 12371

2 ea. 12327

2 ea. 12433

2 ea. 12032

10mm x 1.25P x 70mm

A. 4680 M. FMK995
 R. ES529 W. 36454

SUZUKI

A. AP/GOERLICH'S; M. MARWIL; R. ROL; W. WALKER