

Muffler Strap Application Information

Make	Application Information	Dimensions	ni number	ni Item	See Page
BMW	1984-93 Dual Hanger	11" x 5-3/4"	20242	242	71
BMW	1984-89	11" x 5-3/4"	20240	240	71
BUICK	1994-96 Skylark, Somerset 2.3L, 2.4L, 3.1L	11-1/4" x 4-1/2"	20843	843	71
BUICK	1985-92 Skylark, Somerset 140, 151, 204	9-3/4" x 4-1/2"	20824	824	71
BUICK	1988-89 Skyhawk 121	9-3/4" x 4-1/2"	20824	824	71
BUICK	1988 Skylark, Somerset 181	9-3/4" x 4-1/2"	20824	824	71
BUICK	1982-84 Skyhawk 112 (1.8L), 121 (2.0L)	9-3/4" x 4-1/2"	20823	823	71
CADILLAC	1988 Cimarron 173	9-3/4" x 4-1/2"	20824	824	72
CADILLAC	1982-84 Cimarron 112 (1.8L), 121 (2.0L)	9-3/4" x 4-1/2"	20823	823	72
CHEVROLET	1995-2001 Cavalier 2.2L, 2.3L, 2.4L	9-7/8" x 4-3/8"	20845	845	73
CHEVROLET	1997-2000 Cavalier 2.2L	11-1/2" x 4-1/2"	20847	847	73
CHEVROLET	1995-97 S10, Blazer 4.3L	11-1/4" x 5-1/4"	20844	844	72
CHEVROLET	1995 S10, S15, Blazer 4.3L	9-3/4" x 4-1/4"	20878	20878	73
CHEVROLET	1994-96 Beretta, Corsica 2.2L, 2.3L, 3.1L	11-1/4" x 4-1/2"	20843	843	72
CHEVROLET	1992-94 Cavalier 134 C.I.D., (2.4L), 189 C.I.D. (3.1L)	10-1/2" x 4"	20870	20870	73
CHEVROLET	1982-84 Cavalier 112 (1.8L), 121 (2.0L),	9-3/4" x 4-1/2"	20823	823	72
CHRYSLER	2001-05 Town & Country 3.8L (Exc. Stow & Go)	9" x 7"	20860	20860	71
CHRYSLER	1996-97 Town & Country 3.0L, 3.3L, 3.8L	9-7/8" x 4-1/2"	20856	20856	71
CHRYSLER	1996 Town & Country 2.4L, 3.0L, 3.3L, 3.8L	10-1/4" x 4"	20858	20858	71
CHRYSLER	1991-95 Town & Country 2.5L, 3.0L, 3.3L, 3.8L	9-3/4" x 4-1/2"	20862	20862	71
CHRYSLER	1991-92 Town & Country 2.5L, 3.0L, 3.3L	10" x 4"	20608	608	71
CHRYSLER	1987-90 Town & Country 2.5L, 3.0L, 3.3L	9" x 4-3/8"	20610	610	71
CHRYSLER	1987 Town & Country 2.6L	9" x 4-3/8"	20610	610	71
DODGE	2001-07 Caravan 2.4L	9" x 7"	20860	20860	71
DODGE	2001-05 Grand Caravan 3.8L (Exc. Stow & Go)	9 x 7"	20860	20860	71
DODGE	1996-97 Caravan, Grand Caravan, Ram Van 3.0L, 3.3L, 3.8L	9-7/8" x 4-1/2"	20856	20856	71
DODGE	1996 Caravan, Grand Caravan 2.4L, 3.0L, 3.3L, 3.8L	10-1/4" x 4"	20858	20858	71
DODGE	1991-95 Caravan 2.5L, 3.0L, 3.3L, 3.8L	9-3/4" x 4-1/2"	20862	20862	71
DODGE	1991-92 Caravan 2.5L, 3.0L, 3.3L	10" x 4"	20608	608	71
DODGE	1987-90 Caravan, Ram Van, 2.5L, 3.0L, 3.3L	9" x 4-3/8"	20610	610	71
DODGE	1987 Caravan, Ram Van 2.6L	9" x 4-3/8"	20610	610	71
FORD	1998-00 Ranger 2.5L, 3.0L, 4.0L	9-7/8" x 4-3/8"	20233	20233	71
FORD	1995-97 Trucks	10-5/8" x 4-1/4"	20876	20876	72
FORD	1988-95 Taurus 3.0L, 3.8L	10-1/8" x 4-5/8"	20877	20877	72
FORD	1987-95 Truck F250, F350	Fits 6" Round	20715	715	72
FORD	1987-94 Truck	Fits 6" Round	20713	713	72
FORD	1987-94 Truck	10" x 4"	20714	714	72
FORD	1986-91 Sable, Taurus, 2.5L, 3.0L, 3.8L	9-3/4" x 4-1/2"	20708	708	71
GEO	1997-02 Prizm 1.8L	11-1/8" x 5-5/8"	20273	273	72
GMC	1995 Jimmy 4.3L	9-3/4" x 4-1/4"	20878	20878	73
MAZDA	1986-93 B2200 Pickup 2.0L, 2.2L	Fits 6" Round	20238	238	73
MAZDA	1987-88 B2600 Pickup 2.6L	Fits 6" Round	20238	238	73
MERCURY	1988-95 Sable Sedan 3.0L, 3.8L	10-1/8" x 4-5/8"	20877	20877	72

Muffler Straps Application Information Cont.

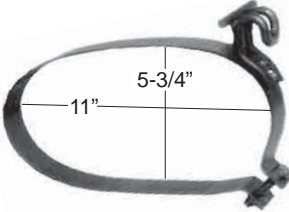
Make	Application Information	Dimensions	ni number	ni Item	See Page
OLDSMOBILE	1994-98 2.3L, 2.4L, 3.1L	11-1/4" x 4-1/2"	20843	843	72
OLDSMOBILE	1988 Calais 121	9-3/4" x 4-1/2"	20824	824	72
OLDSMOBILE	1985-91 Calais 138, 140, 151, 200, 204	9-3/4" x 4-1/2"	20824	824	72
OLDSMOBILE	1982-84 Firenza 112 (1.8L), 121 (2.0L)	9-3/4" x 4-1/2"	20823	823	72
PLYMOUTH	2001-07 Voyager 2.4L	9" x 7"	20860	20860	71
PLYMOUTH	1996-97 Voyager, Grand Voyager 3.0L, 3.3L, 3.8L	9-7/8" x 4-1/2"	20856	20856	71
PLYMOUTH	1996 Voyager, Grand Voyager 2.4L, 3.0L, 3.3L, 3.8L	10-1/4" x 4"	20858	20858	71
PLYMOUTH	1991-95 Voyager 2.5L, 3.0L, 3.3L, 3.8L	9-3/4" x 4-1/2"	20862	20862	71
PLYMOUTH	1991-92 Voyager 2.5L, 3.0L, 3.3L	10" x 4"	20608	608	71
PLYMOUTH	1987-90 Voyager 2.5L, 3.0L, 3.3L	9" x 4-3/8"	20610	610	71
PLYMOUTH	1987 Voyager 2.6L	9" x 4-3/8"	20610	610	71
PONTIAC	1997-2000 Sunfire 2.2L	11-1/2" x 4-1/2"	20847	847	73
PONTIAC	1994-96 Grand Am 2.3L, 2.4L, 3.1L	11-1/4" x 4-1/2"	20843	843	72
PONTIAC	1992-94 Sunbird 122 C.I.D. (2.4L) 189 C.I.D. (3.1L)	10-1/2" x 4"	20870	20870	73
PONTIAC	1990-93 Grand Am 138 (Exc. H.O.)	9-3/4" x 4-1/2"	20824	824	72
PONTIAC	1988-93 Sunbird 121, 189	9-3/4" x 4-1/2"	20824	824	72
PONTIAC	1985-91 Grand Am 121, 140, 151	9-3/4" x 4-1/2"	20824	824	72
SATURN	1999-02 SC & SL Series 1.9L	11" x 7"	20853	853	73
SATURN	1999-02 SC & SL Series	9-1/8" x 7"	20855	855	73
SATURN	1999-01 SW Series 1.9L	11" x 7"	20853	853	73
SATURN	1993-01 SW Series 1.9L	11-1/8" x 9/16"	20869	869	73
SATURN	1999 SW Series	9-1/8" x 7"	20855	855	73
SATURN	1991-97 1.9L SC, SC1, SC2, SL, SL2, SW1, SW2,	10-1/2" x 4-3/4"	20875	20875	73
SATURN	1991-97 1.9L SC, SC1, SC2, SL, SL1, SL2, SW1, SW2	10" x 4"	20839	839	73
SATURN	1991-92 SL Series 1.9	11-1/8" x 9/16"	20869	869	73
SATURN	1991-03 SC Series 1.9L	11-1/8" x 9/16"	20869	869	73
TOYOTA	1998-02 Corolla 1.8L	11-1/8" x 5-5/8"	20273	273	74
VOLVO	1986-95 Fits 6" Round	Fits 6" Round	20235	235	74
VOLVO	1989-90 740 2.3L, (B230F, B230FT)	8-3/4" x 4-5/16"	20879	20879	74

UNIVERSAL	304 Stainless Steel Fits Oval Style Mufflers	Fits 9" to 11-1/2"	20521	521	74
UNIVERSAL	304 Stainless Steel Fits Round Mufflers	Fits 6" to 8"	20522	522	74

Muffler Straps

20240 **240**

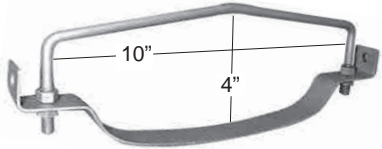
Add "P" for Plated



A. N/A M. N/A
R. N/A W. N/A

20608 **608**

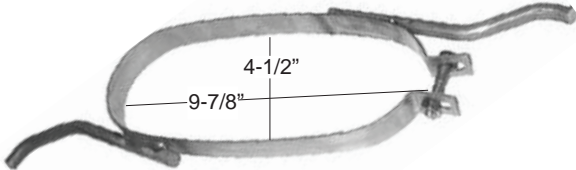
Add "P" for Plated



A. 8067 M. TPH1317B
R. BR92069 W. N/A

20856 **20856**

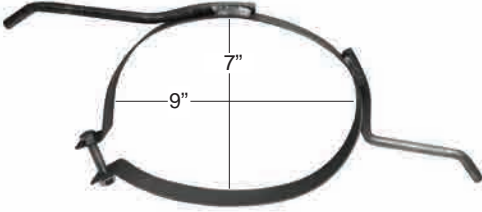
Add "P" for Plated



A. N/A M. TPH1023B
R. BR92208 W. 36234

20860 **20860**


Add "P" for Plated



A. 8022 M. N/A
R. N/A W. N/A

20233 **20233**

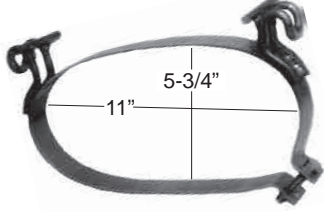
Add "P" for Plated



A. N/A M. BR92196
R. BR92196 W. 36233

20242 **242**

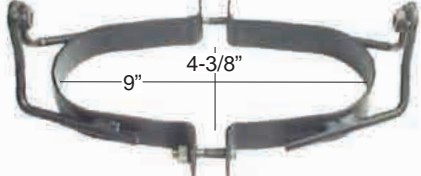
Add "P" for Plated



A. N/A M. N/A
R. N/A W. N/A

20610 **610**


Add "P" for Plated



A. N/A M. TPH1156B
R. BR92036 W. 35917

20858 **20858**

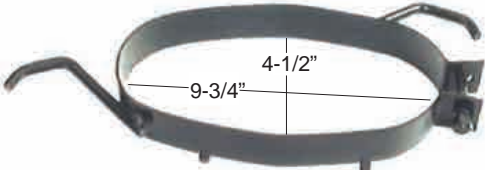
Add "P" for Plated



A. 8055 M. TPH1015B
R. BR92162 W. N/A

20862 **20862**

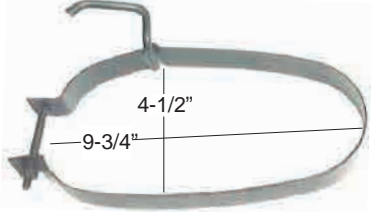
Add "P" for Plated



A. N/A M. MSS2173
R. BR92173 W. 35186

20708 **708**

Add "P" for Plated



A. N/A M. TPH868B
R. BR91962 W. 35511

BMW

CHRYSLER/DODGE

CHRYSLER/DODGE

CHRYSLER/DODGE

FORD

BMW

CHRYSLER/DODGE

CHRYSLER/DODGE

CHRYSLER/DODGE

FORD

A. AP/GOERLICH'S; M. MARWIL; R. ROL; W. WALKER

Muffler Straps

20713 **713**

Add "P" for Plated

A. N/A
R. N/A

M. N/A
W. N/A

FORD

20714 **714**

Add "P" for Plated

A. N/A
R. N/A

M. N/A
W. N/A

FORD

20715 **715**

Add "P" for Plated

A. N/A
R. BR92284

M. MSS2284
W. 35912

FORD

20876 **20876**

Add "P" for Plated

A. 8017
R. BR92285

M. MSS878
W. N/A

FORD

20877 **20877**

Add "P" for Plated

A. 8158
R. BR92230

M. TPH1330B
W. N/A

FORD

20273 **273**

Add "P" for Plated

A. N/A
R. BR92920

M. TPH2920B
W. 36375

GM

20823 **823**

Add "P" for Plated

A. 8081
R. BR778

M. TPH234B
W. 35703

GM

20824 **824**

Add "P" for Plated

A. N/A
R. BR856

M. TPH856B
W. 35724

GM

20843 **843**

Add "P" for Plated

A. 8014
R. BR92192

M. TPH1035B
W. 36153

GM

20844 **844**

Add "P" for Plated

A. N/A
R. BR92222

M. TPH1327B
W. 36163

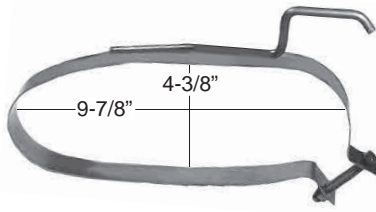
GM

A. AP/GOERLICH'S; M. MARWIL; R. ROL; W. WALKER

Muffler Straps

20845 **845**

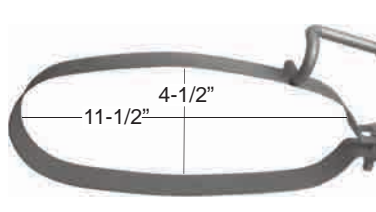
Add "P" for Plated



A. 8054 M. TPH1328B
R. BR92225 W. N/A

20847 **847**

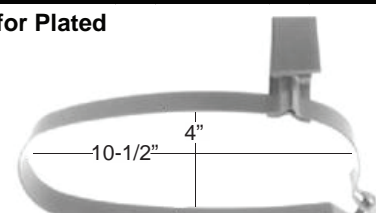
Add "P" for Plated



A. 8013 M. TPH2238B
R. BR92238 W. 36360

20870 **20870**

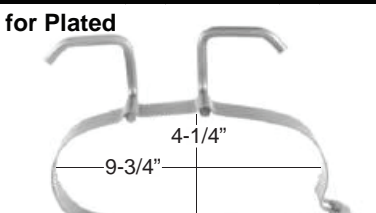
Add "P" for Plated



A. 8062 M. TPH1003B
R. BR92114 W. N/A

20878 **20878**

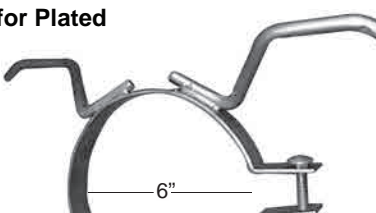
Add "P" for Plated



A. N/A M. TPH1000B
R. BR92108 W. 36125

20238 **238**

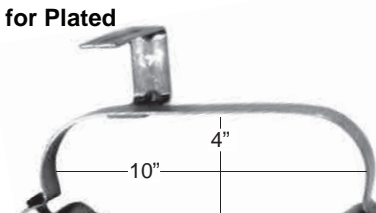
Add "P" for Plated



A. 8175 M. BR92202
R. BR92202 W. N/A

20839 **839**

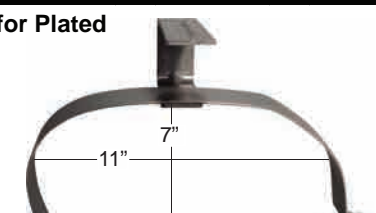
Add "P" for Plated



A. N/A M. TPH859B
R. BR92090 W. 36372

20853 **853**

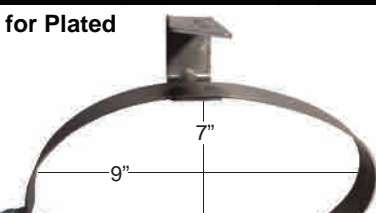
Add "P" for Plated



A. N/A M. TPH2926B
R. BR92926 W. N/A

20855 **855**

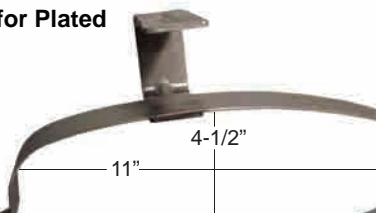
Add "P" for Plated



A. N/A M. TPH2263B
R. BR92263 W. 36376

20869 **869**

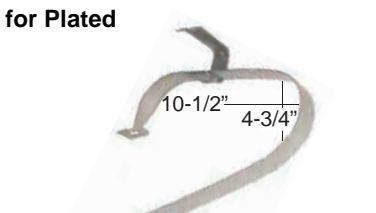
Add "P" for Plated



A. 8087 M. TPH2925B
R. BR92925 W. N/A

20875 **20875**

Add "P" for Plated



A. N/A M. TPH1331B
R. BR92249 W. N/A

A. AP/GOERLICH'S; M. MARWIL; R. ROL; W. WALKER

Muffler Straps

20273	273
Add "P" for Plated	
For Rubber Insulator use 16246	
A. N/A	M. TPH2920B
R. BR92920	W. 36375

20521	521
Add "P" for Plated	
304 Stainless Fits Oval Style Mufflers 9" to 11-1/2"	
A. N/A	M. N/A
R. N/A	W. N/A

20522	522
Add "P" for Plated	
304 Stainless Fits Round Mufflers 6" to 8"	
A. N/A	M. N/A
R. N/A	W. N/A

20235	235
Add "P" for Plated	
6"	
A. N/A	M. N/A
R. N/A	W. N/A

20879	20879
Add "P" for Plated	
8-3/4" 4-5/16"	
A. N/A	M. TH1086B
R. BR91975	W. 35152



A. AP/GOERLICH'S; M. MARWIL; R. ROL; W. WALKER