

# Rubber Metal Bracket Application Information

Make	Application Information	Dimensions	ni Number	Item Number	See Page
BUICK	1994 Skylark, Somerset 138 (2.3L), 189 (3.1L)	Muffler - Dual Left; Upper	26849	849	81
BUICK	1992 Regal, Skylark 138	Muffler - Rear	26812	812	81
BUICK	1992 Skylark 2.3L, 3.3L	Muffler	26834	834	81
BUICK	1986-87 Century, Regal 307	Tail Pipe; Dual Outlet Right	26821	821	81
BUICK	1985-87 Regal, Skylark 181	Muffler - Rear	26812	812	81
BUICK	1985-87 Skylark, Skyhawk, Somerset 112, 121, 122, 181	Muffler - Front	26813	813	81
BUICK	1984-87 Skyhawk 112, 121	Muffler - Rear	26812	812	81
BUICK	1984-87 Skyhawk 112, 121	2nd. Pipe - Muffler Rear	26804	804	80
BUICK	1982-87 Century, Skylark 151, 181, 231, 260D	2nd. Pipe - Muffler Rear	26804	804	80
BUICK	1980-87 Century, Regal 231, 252, 265, 301, 305, 307, 350N	Exh. Pipe 3rd, Muffler Rear	26810	810	81
BUICK	1980-83 Century, REGAL 231, 252, 265, 301, 305, 350N	Tail Pipe; Dual Outlet Right	26821	821	81
BUICK	1979-85 Riviera 252, 231, 307, 350N	Tail Pipe	26820	820	81
BUICK	1977-92 Electra, Le Sabre, Estate Wagon, Roadmaster 231 (Exc. 1986-92), 252, 301, 305, 307, 350H, J, N, R, X, 403	Muffler	26807	807	80
BUICK	1977-79 Electra, Le Sabre 231, 301, 350H, J, R, 403,	Tail Pipe	26808	809	81
BUICK	1977-78 Riviera 350 J, R, X, 403	Muffler	26807	807	80
BUICK	1977-78 Riviera 350J, R, X, 403	Tail Pipe	26808	809	81
CADILLAC	1986-92 Fleetwood Brougham 305, 350	Tail Pipe	26808	809	81
CADILLAC	1985-88 Cimarron 173	Muffler - Rear	26812	812	81
CADILLAC	1985-87 Cimarron 173	Muffler - Front	26813	813	81
CADILLAC	1984-86 Cimarron 121	Muffler - Front	26813	813	81
CADILLAC	1983-88 Cimarron 112, 121	Muffler - Rear	26812	812	81

# Rubber Metal Bracket Application Information Cont.

Make	Application Information	Dimensions	ni Number	Item Number	See Page
CADILLAC	1982-85 Deville, Fleetwood Brougham 252, 368	Tail Pipe	26808	809	81
CADILLAC	1980-85 Seville 250, 252, 350N-8, 368	Tail Pipe	26820	820	81
CADILLAC	1979-85 Eldorado 250, 252, 350N-8, 368	Tail Pipe	26820	820	81
CADILLAC	1977-85 Deville, Fleetwood (R.W.D) 252, 350N,368, 425	Muffler	26807	807	80
CADILLAC	1977-80 Deville, Fleetwood Brougham 350N, 425	Tail Pipe	26808	809	81
CHEVROLET	1994 Beretta, Corsica 138 (2.3L), 189 (3.1L)	Muffler - Upper	26849	849	81
CHEVROLET	1992-94 Cavalier 134 (2.2L), 189 (3.1L)	Muffler - Upper	26849	849	81
CHEVROLET	1991 Caprice Police 5.0L,1991 Caprice Wagon 5.7L	Exh. Pipe	26842	842	81
CHEVROLET	1987-92 Beretta, Corsica 2.0L, 2.3L, 2.8L, 3.1L	Muffler	26834	834	81
CHEVROLET	1985-87 Cavalier 173, 181	Muffler - Rear	26812	812	81
CHEVROLET	1985-87 Cavalier 173, 181	Muffler - Front	26813	813	81
CHEVROLET	1984-87 Cavalier 121	Muffler - Rear	26812	812	81
CHEVROLET	1984-87 Cavalier 121	Muffler - Front	26813	813	81
CHEVROLET	1982-93 Camaro 151, 173, 305E-F-G, 350	Tail Pipe Single; Dual - Right	26817	817	81
CHEVROLET	1982-85 Celebrity 151, 173, 260D (Exc. Station Wagon)	Exh. Pipe 2nd.	26804	804	80
CHEVROLET	1980-85 Citation 151, 173	Exh. Pipe 2nd.	26804	804	80
CHEVROLET	1980-84 Malibu, Monte Carlo, 231, 350L-N-6-8	Muffler - Left	26810	810	81
CHEVROLET	1980-84 El Camino, Caballero, 231, 350L-N-6-8	Muffler - Left	26810	810	81
CHEVROLET	1980-84 Malibu, Monte Carlo 231, 350L-N-6-8	Tail Pipe; Dual Outlet Right	26821	821	81
CHEVROLET	1980-81 Malibu, Monte Carlo 229, 267, 305	Muffler - Left	26810	810	81
CHEVROLET	1980-81 El Camino, Caballero, 229, 267, 305	Muffler - Left	26810	810	81

# Rubber Metal Bracket Application Information Cont.

Make	Application Information	Dimensions	ni Number	Item Number	See Page
CHEVROLET	1980-81 Malibu, Monte Carlo 229, 267, 305	Tail Pipe; Dual Outlet Right	26821	821	81
CHEVROLET	1977-92 Caprice, Impala, 229, 231, 250, 262, 267, 305, 307, 350L,350N	Muffler	26807	807	80
CHEVROLET	1977-90 Caprice, Impala (Exc. Station Wagon) 229, 231, 250, 262, 267, 305, 307, 350H, 350L	Tail Pipe	26808	809	81
CHEVROLET	1962-74 Chevelle, GTO, Lemans, Tempest	Exh. Pipe	26155	26155	80
CHEVROLET	1962-74 Chevelle, GTO, Lemans, Tempest	Exh. Pipe	26156	26156	80
FORD	1990-91 Crown Victoria,(Police) 351 (5.8L)	Tail Pipe Single - Dual	26701	701	80
FORD	1987-88 Cougar, Thunderbird 140 (2.3L), 232 (3.8L)	Tail Pipe Single - Dual	26701	701	80
FORD	1987-88 Cougar, Thunderbird 140 (2.3L), 232 (3.8L) 302, (5.0L)	Tail Pipe Dual Left; Muffler - Single	26706	706	80
FORD	1984-85 Continental, Mark VII 149 (2.4L Diesel)	Tail Pipe Dual Left; Muffler - Single	26706	706	80
FORD	1980-89 Grand Marquis, LTD, Marquis 255 (4.2L), 302 (5.0L), 351 (5.8L)	Tail Pipe Single - Dual	26701	701	80
FORD	1980-82 Continental, Cougar, Thunderbird 200, (3.3L) 232 (3.8L) 255 (4.2L) 302 (5.0L)	Tail Pipe Dual Left; Muffler - Single	26706	706	80
FORD	1979-89 Crown Victoria, LTD, Mark IV, Grand Marquis, Town Car 255, 302, 351	Muffler Rear; Dual - Right	26702	702	80
FORD	1979-82 Capri, Cougar, Fairmont, Granada, Mustang, Zephyr 140, 200, 255, 302	Tailpipe - Rear	26703	703	80
FORD	1979-82 Capri, Cougar, Fairmont, Granada, Mustang, Zephyr 140, 200, 255, 302	Muffler - Rear	26705	705	80
FORD	1975-86 E100, E150, E250, E350, 240 (3.9L), 300 (4.9L)	Tail Pipe - Front	26607	607	80
FORD	1975-78 F100, F150, F250 300 (4.9L)	Tail Pipe - Front	26607	607	80
FORD	1975-77 Bronco 302	Tail Pipe - Front	26607	607	80
GMC	1971-72 Sprint	Exh. Pipe	26155	26155	80
GMC	1971-72 Sprint	Exh. Pipe	26156	26156	80
JEEP	1979-92 Cherokee, Wagoneer, Wagoneer Sport Wagon, Grand Wagoneer, 2.5L, 2.8L 242 (4.0), 258 (4.2L,) 360	Tail Pipe	26607	607	81
JEEP	1979-88 J10, J20 Pickup 360	Tail Pipe	26607	607	81

# Rubber Metal Bracket Application Information Cont.

Make	Application Information	Dimensions	ni Number	Item Number	See Page
NISSAN	1987-93 Pathfinder 2.4L, 3.0L	Tail Pipe; Exh. Pipe	26230	230	82
NISSAN	1986-93 Pickup 2.4L, 3.0L	Tail Pipe; Exh. Pipe	26230	230	82
NISSAN	1980-83 720 2.0L, 2.2L	Tail Pipe; Exh. Pipe	26230	230	82
NISSAN	1979-82 310 1397cc (1.4L), 1488cc (1.5L)	Tail Pipe; Exh. Pipe	26230	230	82
NISSAN	1978-81 510 1952cc	Tail Pipe; Exh. Pipe	26230	230	82
NISSAN	1977-88 200SX 1908cc (1.8L), 1952cc (2.0L), 2187cc (2.2L)	Tail Pipe; Exh. Pipe	26230	230	82
NISSAN	1975-82 210 1237cc (1.2L), 1397cc (1.4L) 1488cc (1.5L)	Tail Pipe; Exh. Pipe	26230	230	82
NISSAN	1975-79 620 2.0L	Tail Pipe; Exh. Pipe	26230	230	82
OLDSMOBILE	1994 Achieva 138 (2.3L), 189 (3.1L)	Muffler - Dual Left; Upper	26849	849	81
OLDSMOBILE	1992 Achieva 138	Muffler - Rear	26812	812	81
OLDSMOBILE	1992 Achieva 2.3L, 3.3L	Muffler	26834	834	81
OLDSMOBILE	1985-87 Calais 181	Muffler - Rear	26812	812	81
OLDSMOBILE	1985-87 Calais 181	Muffler - Front	26813	813	81
OLDSMOBILE	1984-88 Ciera 231 (Exc. Station Wagon)	Exh. Pipe 2nd.	26804	804	80
OLDSMOBILE	1984-87 Firenza 112, 121, 173	Muffler - Rear	26812	812	81
OLDSMOBILE	1984-87 Firenza 112, 121, 173	Muffler - Front	26813	813	81
OLDSMOBILE	1982-85 Ciera 151, 181, 260D	Exh. Pipe 2nd.	26804	804	80
OLDSMOBILE	1980-88 Cutlass 231, 260D, 305, 307, 350R-N	Muffler - Left	26810	810	81
OLDSMOBILE	1978-80 Delta 88 & Royale, 98 Luxury & Regency 350N	Tail Pipe	26809	809	81
OLDSMOBILE	1977-90 Custom Cruiser, Delta 77 & Royale, 98 Luxury & Regency 231(Exc. 86-91), 252, 260, 307, 350G, L, N, R, 403	Muffler	26807	807	80
OLDSMOBILE	1977-85 Delta 88 & Royale, 98 Luxury & Regency 231, 252, 260, 301, 307, 350G, L, R	Tail Pipe	26809	809	81


# Rubber Metal Bracket Application Information Cont.

Make	Application Information	Dimensions	ni Number	Item Number	See Page
OLDSMOBILE	1964-72 Cutlass, F-85, Special, Skylark	Exh. Pipe	26155	26155	80
OLDSMOBILE	1964-72 Cutlass, F-85, Special, Skylark	Exh. Pipe	26156	26156	80
PONTIAC	1994 Grand Am 138 (2.3L), 189 (3.1L)	Muffler Upper	26849	849	81
PONTIAC	1992-94 Sunbird 122 (2.0L), 189 (3.1L)	Muffler Upper	26849	849	81
PONTIAC	1992 Grand Am 2.3L, 3.3L	Muffler	26834	834	81
PONTIAC	1989-91 Grand Am 138 H.O.	Muffler - Front	26813	813	81
PONTIAC	1985-87 Grand Am 181	Muffler - Rear	26812	812	81
PONTIAC	1985-87 Grand Am 181	Muffler - Front	26813	813	81
PONTIAC	1984-87 Sunbird 112, 121	Muffler - Rear	26812	812	81
PONTIAC	1984-87 Sunbird 112, 121	Muffler - Front	26813	813	81
PONTIAC	1982-93 Firebird 151, 173, 189, 305E-F-G-H, 350-8	Tail Pipe Single; Dual - Right	26817	817	81
PONTIAC	1982-85 6000 151, 173, 260D (Exc. Station Wagon)	Exh. Pipe 2nd.	26804	804	80
PONTIAC	1980-87 Bonneville, Grand Prix 231, 252, 265, 301, 305, 350N	Muffler - Left	26810	810	81
PONTIAC	1980-84 Phoenix 151, 173	Exh. Pipe 2nd.	26804	804	80
PONTIAC	1980-84 Bonneville, Grand Prix, Lemans 252,265, 305, 301, 350N	Tail Pipe; Dual Outlet Right	26821	821	81
PONTIAC	1980-81 Lemans 229, 231, 265, 301, 305	Muffler - Left	26810	810	81
PONTIAC	1980-81 Bonneville, Grand Prix, Lemans 229, 231	Tail Pipe; Dual Outlet Right	26821	821	81
PONTIAC	1980 Bonneville, Catalina	Tail Pipe	26808	809	81
PONTIAC	1978-79 Bonneville, Catalina 403 (Calif. Only)	Tail Pipe	26820	820	81
PONTIAC	1977-86 Bonneville, Catalina, Parisienne, Safari (Inc. Station Wagon) 229, 231(84 ONLY), 265, 301, 305, 307, 350N, P, R, X, 400, 403	Muffler	26807	807	80
PONTIAC	1977-86 Bonneville, Catalina, Parisienne (Exc. Station Wagon) 229, 231, 265, 301, 305, 307, 350P, R, X, 400, 403	Tail Pipe	26808	809	81
PONTIAC	1969-72 Grand Prix, Monte Carlo	Exh. Pipe	26155	26155	80
PONTIAC	1969-72 Grand Prix, Monte Carlo	Exh. Pipe	26156	26156	80



# Rubber Metal Brackets


**26607** **607**



A. 8572 M. TPH460B  
R. BR383 W. N/A

FORD

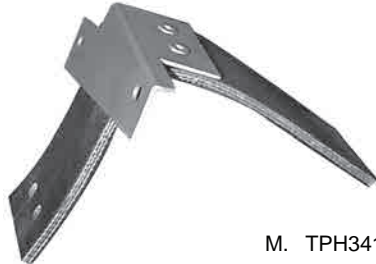
**26701** **701**



A. 8221 M. TPH1319B  
R. BR868 W. 35726

FORD


**26702** **702**



A. 8238 M. TPH341B  
R. BR365 W. 35380

FORD


**26703** **703**



A. 8587 M. TPH343B  
R. BR367 W. 35379

FORD


**26705** **705**



A. 8596 M. TPH344B  
R. BR368 W. 35382

FORD

**26706** **706**



A. N/A M. N/A  
R. N/A W. N/A

FORD


**26155** **26155**



A. 8390 M. TPH146B  
R. BR141 W. 35671

GM

**26156** **26156**



A. 8391 M. TPH147B  
R. BR142 W. 35871

GM

**26804** **804**



A. N/A M. TPH213B  
R. BR720 W. 35547

GM

**26807** **807**




A. 8573 M. TPH202B  
R. BR323 W. 35270

GM

A. AP/GOERLICH'S; M. MARWIL; R. ROL; W. WALKER

# Rubber Metal Brackets

**26809** **809**




A. 8568 M. TPH199B  
R. BR320 W. 35941

**26810** **810**




A. 8247 M. TPH214B  
R. BR723 W. 35546

**26812** **812**



A. 8200 M. TPH870B  
R. BR870 W. 35720

**26813** **813**



A. 8124 M. TPH858B  
R. BR858 W. 35285

**26817** **817**




A. 8165 M. TPH222B  
R. BR779 W. 35475

**26820** **820**



A. N/A M. TPH218B  
R. BR672 W. 35377

**26821** **821**



A. 8246 M. TPH217B  
R. BR740 W. N/A

**26834** **834**




A. 8123 M. TPH1250B  
R. BR91959 W. 35503

**26842** **842**



A. 8118 M. TPH1254B  
R. BR91983 W. 35244

**26849** **849**



A. 8011 M. TPH1318B  
R. BR92074 W. 35262

A. AP/GOERLICH'S; M. MARWIL; R. ROL; W. WALKER

# Rubber Metal Brackets

26607

607



JEEP

A. 8572  
R. BR383

M. TPH460B  
W. N/A

26230

230



NISSAN

A. 8519  
R. BR598

M. FEH380  
W. 35040/35126

A. AP/GOERLICH'S; M. MARWIL; R. ROL; W. WALKER