

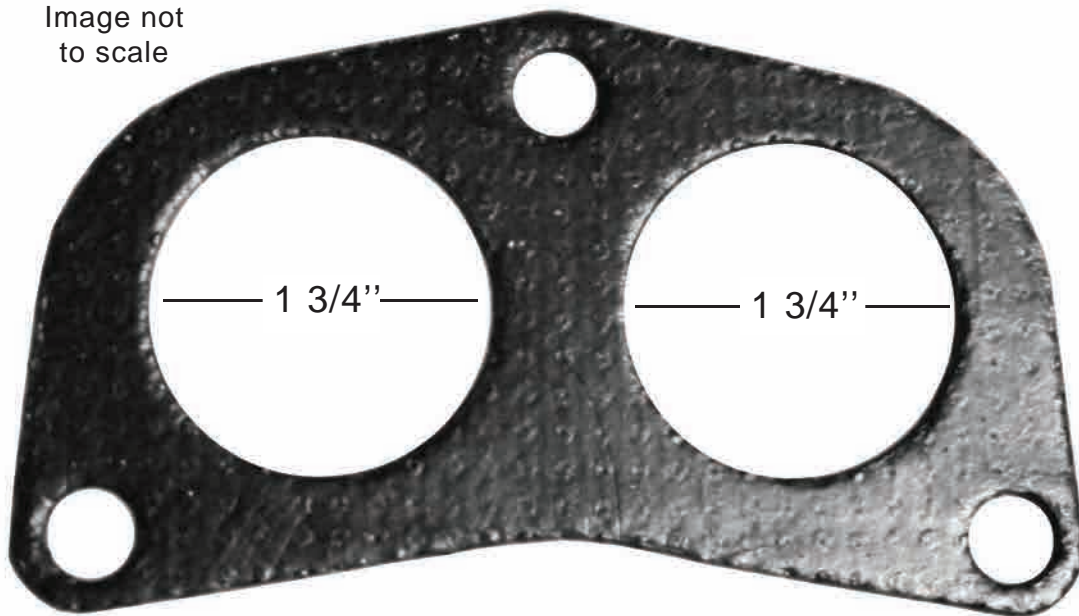
New Product Development

We're not just a complete
Exhaust Hardware provider,
we're problem solvers.

**DESIGN MAKES
THE DIFFERENCE**

47029 Header Gasket

Image not
to scale



Made with OE Quality High Temp Material

**Fits Various
Honda Applications**



Made In USA



ni

nickson industries, inc.
336 Woodford Ave., Plainville, CT 06062
1-800-243-0126
www.nickson.com

NPD47029