

Flexible Tubing



Flexible Tubing - Blank Ends

BLANK ENDS NIFLEX WITH INNER BRAID

ni Number	Item Number	Pipe Size	Flex Length	Overall Length
1913404BI	1900	1-3/4"	4"	4"
1913406BI	1901	1-3/4"	6"	6"
1913408BI	1902	1-3/4"	8"	8"
1913410BI	1904	1-3/4"	10"	10"
1920004BI	1906	2"	4"	4"
1920006BI	1907	2"	6"	6"
1920008BI	1908	2"	8"	8"
1920010BI	1910	2"	10"	10"
1922504BI	1922504BI	2-1/4"	4"	4"
1922506BI	1913	2-1/4"	6"	6"
1922508BI	1914	2-1/4"	8"	8"
1922510BI	1916	2-1/4"	10"	10"
1925004BI	1925004BI	2-1/2"	4"	4"
1925006BI	1936	2-1/2"	6"	6"
1925008BI	1937	2-1/2"	8"	8"
1925010BI	1918	2-1/2"	10"	10"
1930004BI	1930004BI	3"	4"	4"
1930006BI	1933	3"	6"	6"
1930008BI	1934	3"	8"	8"
1930010BI	1935	3"	10"	10"
1935010BI	1935010BI	5"	10"	10"
1940008BI	1940008BI	4"	8"	8"
1940010BI	1940010BI	4"	10"	10"
1950008BI	1950008BI	5"	8"	8"
1950010BI	1950010BI	5"	10"	10"



NIFLEX WITH NIPPLE EXTENSIONS AND INNER BRAID

ni Number	Item Number	Pipe Size	Flex Length	Overall Length
1913404NI	1919	1-3/4"	4"	8"
1913406NI	1920	1-3/4"	6"	10"
1913408NI	1921	1-3/4"	8"	12"
1913410NI	1923	1-3/4"	10"	14"
1920004NI	1925	2"	4"	8"
1920006NI	1926	2"	6"	10"
1920008NI	1927	2"	8"	12"
1920010NI	1929	2"	10"	14"
1922504NI	1939	2-1/4"	4"	8"
1922506NI	1940	2-1/4"	6"	10"
1922508NI	1941	2-1/4"	8"	12"
1922510NI	1931	2-1/4"	10"	14"
1925004NI	1942	2-1/2"	4"	8"
1925006NI	1943	2-1/2"	6"	10"
1925008NI	1944	2-1/2"	8"	12"
1925010NI	1932	2-1/2"	10"	14"
1930004NI	1945	3"	4"	8"
1930006NI	1946	3"	6"	10"
1930008NI	1947	3"	8"	12"
1930010NI	1948	3"	10"	14"

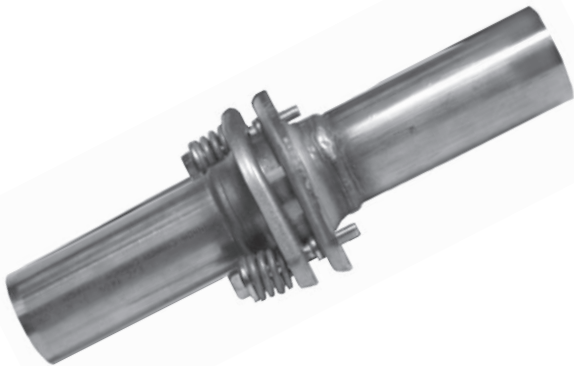


Flexible Tubing - Flexible Joint Repair System

This patented flexible joint repair system offers significant improvements over the more commonly used flex tubes or flex connectors. Each size has numerous applications reducing the need for costly inventory. It is currently being used as OE equipment of Chrysler Jeep, BMW and Ford Focus and is expected to be used on any number of 4x4 vehicles. This rugged joint provides near "zero leak" performance. If you are tired of dealing with comebacks for whistling, cracking or splitting, this is the answer, especially if you are making a repair on performance vehicles. The heart of the system is a spring loaded ball joint assembly with a high temperature spherical gasket that comes ready to install. It is available in a butt end design or with extensions that bring the overall length to 12". This allows installers to expand or contract the pipe to accommodate a variety of sizes. This is a strong, durable joint that can support the weight of the system in either the horizontal or vertical direction without the need for additional hangers.

- **Completely assembled**
- **Reduces backpressure**
- **Fits multiple sizes, reduces inventory.**

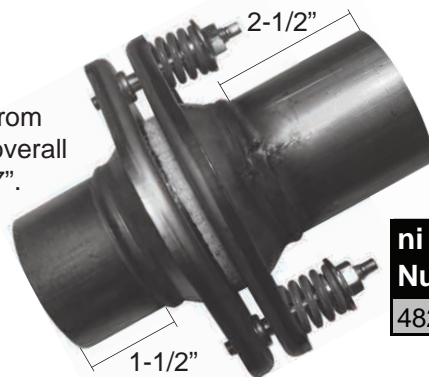
Flexible Joint Repair with Extensions



Extensions are made of 430 S/S tubing, 2". This provides for greater flexibility over a wider range of applications and allows the unit to be clamped or welded. The overall length is approximately 12".

ni Number	Item Number	Size
48200E	1961	2"

Repair system is made from 304 stainless steel, the overall length is approximately 7".



ni Number	Item Number	Size
48212	48212	2-1/2"

NEW



U.S. Patent # 5,683,119

The base system includes flanges with a high temperature "donut-style" gasket and spring loaded fasteners pre-assembled to the correct torque.

ni Number	Item Number	Size
48200	1960	2"
48214	48214	2-1/4"

NEW

The system can be repaired economically by disassembling the unit and replacing the gasket. The fasteners are designed to provide the proper torque when fully tightened.



Shown Unassembled

Nickson Gasket Individually packaged.

ni number	Item Number
13426	12930

Flexible Flange Repair Pipe

2000-02 Chevrolet Impala 3.4L
 1999-03 Chevrolet Malibu 3.1L
 1997-03 Chevrolet Monte Carlo 3.1L, 3.4L
 1999-03 Pontiac Grand Prix 3.1L

USES GASKET 13332



ni Number
31965

Item Number
1965

1999-01 Oldsmobile Alero 2.4L
 2002-04 Oldsmobile Alero 2.2L
 1999-01 Pontiac Grand Am 2.4L
 2002-04 Pontiac Grand Am 2.2L
 2002-03 Chevrolet Cavalier 2.2L
 1999-02 Chevrolet Cavalier 2.4L

USES GASKET 13338



ni Number
31966

Item Number
1966

1996-97 Chevrolet Truck S10 Pickup 2.2L
 1996-97 GMC S15 Sonoma 2.2L
 1996-97 Isuzu Hombre 2.2L

USES GASKET 13327



ni Number
31967

Item Number
1967

1998-03 Chevrolet Truck S10 2.2L
 1998-03 GMC S15 Sonoma 2.2L
 1998-03 Isuzu Hombre 2.2L

USES GASKET 13328



ni Number
31968

Item Number
1968

Flexible Flange Repair Pipe

1997-98 Buick Skylark 2.4L
 1997-98 Chevrolet Cavalier, Malibu 2.4L
 1997-98 Oldsmobile Achieva 2.4L
 1997-98 Pontiac Grand Am, Sunfire 2.4L

USES GASKET 13283



ni Number
31969

Item Number
1969

2000 Chrysler 3.0L V6
 1996-00 Dodge Caravan & Grand Caravan
 3.0L 3.3L, 3.8L V6
 1996-00 Plymouth Voyager & Grand Voyager
 1996-00 3.0L 3.3L, 3.8L V6
 Chrysler Town & Country 3.0L 3.3L, 3.8L V6

USES GASKET 13293



ni Number
31970

Item Number
1970

1995-03 Chrysler Cirrus, Sebring 2.4L, 2.5L
 1995-03 Dodge Stratus 2.0L 2.4L, 2.5L
 1998-00 Plymouth Breeze 2.0L, 2.4L
 1999-03 Dodge Neon 2.0L, 2.4L

USES GASKET 13357



ni Number
31971

Item Number
1971

1995-00 Ford Contour 2.5L V6 w/ A.T
 1995-00 Mercury Mystique 2.5L V6 w/ A.T

USES GASKET 13308



ni Number
31972

Item Number
1972

Flexible Flange Repair Pipe

1999-2005 Chevrolet Cavalier 2.2L
(except 2.2L Eng. Code 4)
2005-08 Chevrolet Cobalt 2.2L, 4cyl
2006-07 Chevrolet HHR 2.2L & 2.4L, 4 cyl
2007 Pontiac G5 2.2L & 2.4L, 4 cyl
2003-07 Saturn Ion 2.2L
2007 Saturn Ion 2.4L

USES GASKET 13367



ni Number

31975

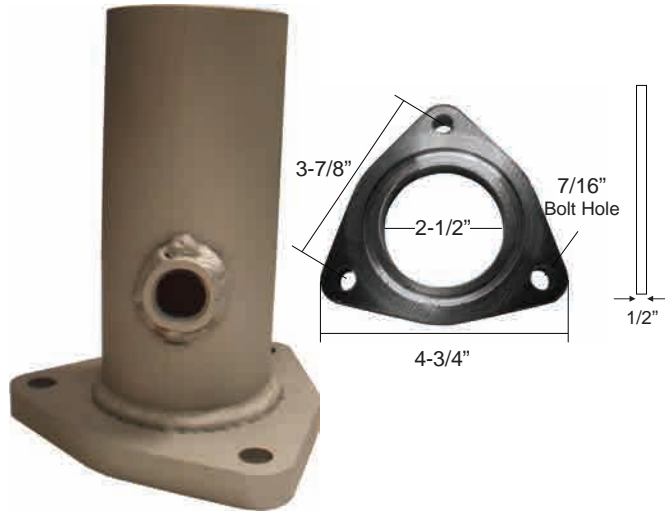
Item Number

31975

Flange Repair Pipe

3 Bolt Flange With Pipe & O2 Sensor Bung
 GM Trucks:
 1999-2007 4.3L Right Side
 1999-2007 4.8L & 5.3L Right Side
 1999-2007 some 6.0L 8.1L Left/Right Side

USES GASKET 13323 OR CRUSH RING 13329

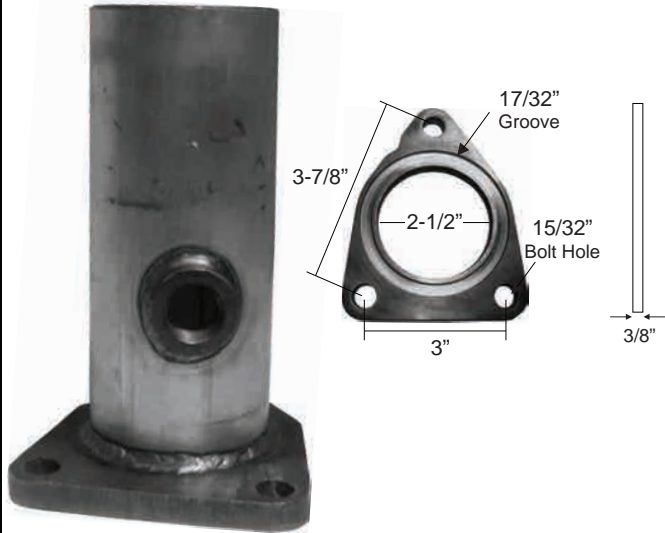


ni Number
15900

Item Number
15900

3 Bolt Flange With Pipe & O2 Sensor Bung
 GM Trucks:
 1999-2005 4.3L Left Side
 1999-2001 4.8L & 5.3L Left Side

USES GASKET 13323 OR CRUSH RING 13329

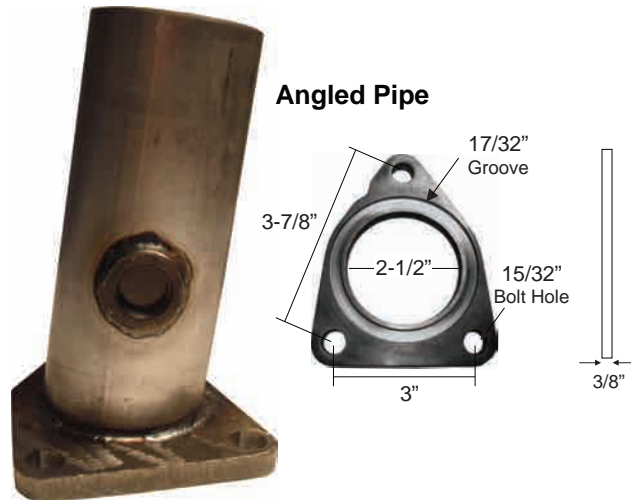


ni Number
15901

Item Number
15901

3 Bolt Flange With Pipe & O2 Sensor Bung
 GM Trucks:
 Mid 2007 & up 4.3L, 4.8L, & 5.3L Left Side
 Mid 2007 & up 6.0L & 8.1L Left Side

USES GASKET 13323 OR CRUSH RING 13329



Angled Pipe

ni Number
15902

Item Number
15902