

# Table Of Contents

## **BRACKETS, HANGERS & WIRES**

360 Hangers	Page 14 - 15
Metal Brackets	Page 18
Metal Straps "L" Straps	Page 8
Metal Straps Straight	Page 9
Muffler Straps	Page 19 - 20
Rubber Metal Hangers	Page 15
Grommets	Page 16
OEM Style Rubber Insulators	Page 16 - 17
Rubber Metal Brackets	Page 18
Strap Hooks Universal	Page 14
Swivel Brackets	Page 11
Swivel Hangers	Page 10 - 11
Wire Forms	Page 11 - 14

## **CLAMPS**

Band Clamps	Page 2
Muffler - Heavy Duty	Page 2
Muffler - Standard Duty	Page 1

## **FLANGES**

OEM & Universal Style Flanges	Page 22 - 25
-------------------------------	--------------

## **FLANGE MOUNTING KITS**

Flange Mounting Kits	Page 21
----------------------	---------

## **FLEXIBLE TUBING, REPAIR PIPES**

Flexible Tubing - Blank Ends	Page 3
Flexible Tubing - With Extensions	Page 4
Flexible Flange Repair Pipe	Page 5 - 7
Flange Repair Pipe	Page 7
Spherical Joint Repair	Page 5

## **GASKETS**

Exhaust Gaskets "Top 100"	Page 31 - 35
---------------------------	--------------

## **HARDWARE**

Cotter Pins	Page 30
Flat Washers	Page 30
Hex Bolts US Standard Thread	Page 27
Hex Bolts Metric Thread	Page 28
Hex Nuts Standard Brass	Page 29
Hex Nuts Standard & Metric	Page 28
Lock Washers	Page 30
Manifold Studs Standard & Metric	Page 29
O2 Sensor Parts	Page 30
Self Tapping Screws	Page 29
Shoulder Bolts Metric	Page 29
Thread Cutting Screws	Page 30

## **HEAT RISERS**

Heat Risers	Page 21
-------------	---------

## **SHOP SUPPLIES**

Cement	Page 26
Pipe Hooks	Page 26

## **SPECIALTY**

Clamp A Stud	Page 26
--------------	---------

# Numbering System

## ni Number - Part Numbering System and how it works:

Our part numbering system offers you the simplest and most efficient exhaust accessories inventory stocking program available today!

The first 2 digits indicate the product category for each part number  
i.e. 25000 is a Formed Wire, 20000 is a Muffler Strap and 15000 are Flanges  
Any digits after the dash (-) indicate the package quantity

**25367-25**  
**20847-1**  
**15486-10**

### Muffler Clamps - Part Numbering System: Example 108212-50B

10	8	212	-50B
<b>Product Category</b> 10 = Muffler Clamps	<b>Style</b> 8 = Heavy Duty Saddle Round Holes, 3/8" U-Bolt With Flange Nut	<b>Size</b> 112 = 1-1/2" 158 = 1-5/8" 134 = 1-3/4" 178 = 1-7/8" 200 = 2" 218 = 2-1/8" 214 = 2-1/4" 212 = 2-1/2" 234 = 2-3/4" 300 = 3" 314 = 3-1/4" 312 = 3-1/2" 400 = 4" 412 = 4-1/2" 500 = 5" 600 = 6"	<b>Packaging QTY</b> 10 = 10 Boxed 50 = 50 Boxed 10B = 10 Bulk 50B = 50 Bulk

### Complete Prefix Sequence:

- |  |  |
|--|--|
| <p><b>00</b> No Holes "L" Metal Straps<br/><b>01</b> No Holes Straight Metal Straps<br/><b>10</b> Muffler Clamps<br/><b>11</b> Universal Hangers<br/><b>12</b> Hardware<br/><b>13</b> Exhaust Gaskets<br/><b>14</b> Heat Risers<br/><b>15</b> Flanges<br/><b>16</b> Rubber Insulators<br/><b>17</b> Clamp-A-Stud<br/><b>18</b> Flange Mountain Kits<br/><b>19</b> Flexible Tubing<br/><b>20</b> Muffler Straps<br/><b>21</b> Rubber Strap Hangers<br/><b>22</b> 2 Holes "L" Metal Straps<br/><b>23</b> 2 Holes Straight Metal Straps</p> | <p><b>25</b> Formed Wires<br/><b>26</b> Rubber and Metal Brackets<br/><b>27</b> Metal Brackets<br/><b>31</b> Flex Tube with Flange Assembly<br/><b>33</b> 3 Holes "L" Metal Straps<br/><b>35</b> Rubber Grommets<br/><b>37</b> Flattened Formed Wires<br/><b>42</b> Muffler Cement<br/><b>43</b> 4 Holes Straight Metal Straps<br/><b>48</b> Spherical Joint Connectors<br/><b>52</b> 5 Holes "L" Metal Straps<br/><b>53</b> 5 Holes Straight Metal Straps<br/><b>55</b> 02 Sensor Nuts<br/><b>57</b> 02 Sensor Plugs<br/><b>58</b> 02 Sensor Flange</p> |
|--|--|

#### DISCLAIMER

*All dimensions listed in this catalog are representations and are used for referencing only. Nickson Industries does not assume any liability for errors, omissions or accuracy.*

# Part Number Index

PART No.	PAGE No.	PART No.	PAGE No.	PART No.	PAGE No.	PART No.	PAGE No.	PART No.	PAGE No.
00568.....	8	11375.....	11	12040.....	27	12121.....	27	12436.....	30
00568HD.....	8	11376.....	11	12041.....	27	12122.....	27	12461.....	30
00571HD.....	8	11518.....	10	12042.....	27	12123.....	28	12462.....	30
00574.....	8	11524.....	10	12043.....	27	12124.....	28	12463.....	30
00574HD.....	8	11525.....	10	12045.....	27	12125.....	27	12466.....	30
00580.....	8	11526.....	10	12046.....	27	12152.....	28	12501.....	30
00580HD.....	8	11527.....	10	12047.....	27	12153.....	28	12502.....	30
00582.....	8	11527U.....	10	12048.....	28	12154.....	28	12503.....	30
00582HD.....	8	11527USA.....	10	12049.....	28	12156.....	28	12504.....	30
00583HD.....	8	11528.....	11	12050.....	28	12159.....	28	12561.....	29
01355.....	9	11529U.....	11	12051.....	28	12161.....	28	12562.....	29
01356.....	9	11530U.....	10	12053.....	28	12162.....	28	13001.....	33
1420.....	2	11533.....	10	12054.....	28	12170.....	27	13002.....	33
1421.....	2	11533U.....	11	12055.....	28	12171.....	30	13004.....	34
1422.....	2	11534.....	11	12056.....	28	12172.....	27	13010.....	34
1423.....	2	11535.....	11	12057.....	28	12201.....	29	13011.....	35
1424.....	2	11585.....	15	12060.....	28	12202.....	29	13015.....	31
1425.....	2	11586.....	15	12061.....	28	12203.....	29	13017.....	31
1426.....	2	11587.....	15	12062.....	28	12204.....	29	13020.....	34
1427.....	2	11588.....	15	12063.....	27	12205.....	29	13021.....	33
1428.....	2	11589.....	15	12064.....	27	12207.....	28	13022.....	33
1429.....	2	11590.....	15	12065.....	28	12300.....	29	13023.....	33
1430.....	2	12001.....	27	12066.....	28	12301.....	29	13025.....	35
1431.....	2	12002.....	27	12067.....	28	12302.....	29	13028.....	33
01572.....	9	12003.....	27	12068.....	28	12303.....	29	13030.....	34
01572HD.....	9	12004.....	27	12069.....	28	12304.....	29	13044.....	34
01576HD.....	9	12005.....	27	12070.....	28	12305.....	29	13057.....	31
01569HD.....	9	12006.....	27	12072.....	28	12306.....	29	13062.....	35
01577.....	9	12007.....	27	12073.....	28	12307.....	29	13070.....	31
01579HD.....	9	12008.....	27	12074.....	28	12308.....	27	13081.....	33
01581.....	9	12009.....	27	12075.....	28	12310.....	29	13083.....	34
01581HD.....	9	12010.....	27	12076.....	28	12311.....	29	13094.....	35
01588HD.....	9	12011.....	27	12077.....	30	12312.....	29	13095.....	34
1721.....	2	12012.....	27	12078.....	30	12313.....	29	13096.....	33
1722.....	2	12013.....	27	12079.....	30	12314.....	29	13109.....	31
1723.....	2	12014.....	27	12080.....	30	12315.....	29	13110.....	31
1724.....	2	12015.....	27	12081.....	30	12316.....	29	13111.....	31
1725.....	2	12017.....	27	12082.....	27	12317.....	29	13154.....	34
1726.....	2	12018.....	27	12083.....	28	12318.....	29	13184.....	33
1727.....	2	12019.....	27	12097.....	29	12322.....	29	13185.....	33
1728.....	2	12020.....	27	12100.....	27	12328.....	27	13186.....	33
1729.....	2	12021.....	27	12101.....	28	12329.....	30	13187.....	34
1730.....	2	12022.....	27	12102.....	28	12330.....	30	13229.....	34
11071.....	14	12023.....	27	12103.....	28	12349.....	29	13236.....	35
11072.....	14	12024.....	27	12104.....	28	12353.....	29	13251.....	35
11073.....	14	12025.....	27	12105.....	29	12356.....	29	13280.....	34
11076.....	14	12026.....	27	12106.....	28	12358.....	29	13283.....	35
11077.....	14	12027.....	27	12107.....	28	12360.....	29	13295.....	33
11078.....	14	12028.....	27	12108.....	28	12361.....	29	13315.....	35
11079.....	14	12029.....	27	12109.....	29	12385.....	29	13316.....	34
11081.....	14	12030.....	28	12110.....	28	12400.....	30	13317.....	35
11175.....	14	12031.....	28	12111.....	28	12401.....	30	13320.....	33
11176.....	14	12032.....	28	12113.....	28	12402.....	30	13323.....	32
11181.....	14	12033.....	28	12114.....	27	12403.....	30	13328.....	32
11187.....	10	12034.....	27	12115.....	27	12405.....	30	13329.....	32
11188.....	10	12035.....	27	12116.....	27	12431.....	30	13332.....	32
11189.....	10	12036.....	27	12117.....	27	12432.....	30	13338.....	32
11190.....	10	12037.....	27	12118.....	27	12433.....	30	13403.....	34
11191.....	10	12038.....	27	12119.....	27	12434.....	30	13426.....	5
11192.....	10	12039.....	27	12120.....	27	12435.....	30	13434.....	35

# Part Number Index

PART No.	PAGE No.	PART No.	PAGE No.	PART No.	PAGE No.	PART No.	PAGE No.	PART No.	PAGE No.
13509	32	15020S	22	16207	16	20870	20	23542HD	9
13574	32	15022	22	16209	16	20875	20	23548	9
13578	31	15023	22	16210	16	20876	19	23548HD	9
13584	32	15024	25	16211	17	20877	19	25180	13
13585	32	15025	23	16216	16	20878	20	25182	13
13594	32	15035	22	16218	17	20879	20	25183	13
13597	33	15047	23	16219	17	21140	15	25184	13
13600	34	15050	23	16222	16	21141	15	25185	13
13612	32	15051	23	16223	17	21145	15	25186	14
13613	32	15052	23	16228	16	21146	15	25262	13
13615	32	15055	25	16229	16	21147	15	25350	12
13635	33	15057	23	16232	17	21150	15	25351	11
13648	32	15058	22	16246	17	21154	15	25352	11
13659	32	15059	22	16269	16	21159	15	25353	13
13675	31	15069	25	16270	17	21161	15	25357	12
13684	33	15092	25	16271	17	22170	8	25358	12
13685	34	15101	22	16272	17	22170HD	8	25359	12
13723	33	15105	22	16273	17	22171	8	25361	11
13731	34	15109	22	16704	17	22171HD	8	25362	13
13733	34	15126	23	16720	17	22345	8	25364	13
13735	35	15127	22	16806	17	22345HD	8	25365	12
13736	35	15130	24	16827	17	22346	8	25366	12
13737	31	15131	24	16828	17	22346HD	8	25367	11
13738	31	15132	24	17350	26	22347	8	25368	12
13739	35	15134	24	17351	26	22347HD	8	25369	12
13741	35	15320	23	17352	26	22348	8	25373	11
13742	31	15321	23	18194	21	22348HD	8	25374	11
13743	31	15322	24	18201	21	22349	8	25377	11
13748	35	15323	24	18202	21	22349HD	8	25379	11
13751	34	15325	24	18203	21	22533	8	25380	12
13758	32	15326	25	18309	21	22533HD	8	25382	13
13759	31	15327	23	18310	21	22534	8	25384	13
13767	35	15330	23	18316	21	22534HD	8	25385	12
13783	31	15331	25	18317	21	22535	8	25386	13
13797	35	15334	25	18318	21	22535HD	8	25387	12
13798	35	15350	25	18534	21	22536	8	25388	13
13800	31	15351	25	18536	21	22536HD	8	25390	12
13807	31	15353	24	20233	19	22537	8	25391	12
13818	34	15389	25	20235	20	22537HD	8	25392	12
13832	32	15390	25	20238	20	22545	8	25393	12
13841	35	15397	25	20273	19, 20	22545HD	8	25400	13
13843	31	15484	24	20521	20	22546	8	25482	13
13846	33	15485	23	20522	20	22546HD	8	26849	18
13847	31	15488	24	20608	19	23170	9	27142	18
13854	34	15489	24	20610	19	23170HD	9	27143	18
13855	33	15492	24	20708	19	23171	9	27148	18
13872	33	15496	24	20714	19	23171HD	9	27151	18
13907	32	15498	24	20824	19	23172	9	27152	18
13910	35	15500	24	20839	20	23172HD	9	27153	18
13916	31	15501	23	20843	19	23345	9	27159	18
13923	32	15503	25	20844	19	23345HD	9	27164	18
13981	32	15505	25	20845	20	23346	9	27166	18
14004	21	15506	25	20847	20	23346HD	9	27510	18
14005	21	15509	23	20853	20	23348	9	27803	18
14031	21	15512	23	20855	20	23348HD	9	27818	18
14032	21	15900	7	20856	19	23349	9	27822	18
15002	22	15901	7	20858	19	23349HD	9	27861	18
15005	22	15902	7	20860	19	23539	9	31965	5
15014	22	15903	22	20862	19	23539HD	9	31966	5
15017	22	16206	16	20869	20	23542	9	31967	6

# Part Number Index

PART No.	PAGE No.	PART No.	PAGE No.	PART No.	PAGE No.
31968.....	6	104178-100B.....	1	1920008BI.....	3
31969.....	6	104200-50B.....	1	1920008NI.....	4
31970.....	6	104200-100B.....	1	1920010BI.....	3
31971.....	6	104212-50B.....	1	1920010NI.....	4
31972.....	6	104212-100B.....	1	1922504BI.....	3
31973.....	7	104214-50B.....	1	1922504NI.....	4
31975.....	7	104214-100B.....	1	1922506BI.....	3
31976.....	7	104218-50B.....	1	1922506NI.....	4
33552.....	9	104218-100B.....	1	1922508BI.....	3
35178.....	16	105112-100B.....	1	1922508NI.....	4
35179.....	16	105114-100B.....	1	1922510BI.....	3
35245.....	16	105118-100B.....	1	1922510NI.....	4
35246.....	16	105134-100B.....	1	1925004BI.....	3
35252.....	16	105158-100B.....	1	1925004NI.....	4
35255.....	16	105178-100B.....	1	1925006BI.....	3
37513.....	14	105200-100B.....	1	1925006NI.....	4
37515.....	14	105212-100B.....	1	1925008BI.....	3
37516.....	14	105214-100B.....	1	1925008NI.....	4
42006.....	26	105218-100B.....	1	1925010BI.....	3
42016.....	26	107112-50B.....	2	1925010NI.....	4
43553.....	9	107134-50B.....	2	1930004BI.....	3
43553HD.....	9	107178-50B.....	2	1930004NI.....	4
48200.....	5	107200-50B.....	2	1930006BI.....	3
48200E.....	5	107212-50B.....	2	1930006NI.....	4
48212.....	5	107214-50B.....	2	1930008BI.....	3
48214.....	5	107300-50B.....	2	1930008NI.....	4
52172.....	8	108112-50B.....	2	1930010BI.....	3
52172HD.....	8	108134-50B.....	2	1930010NI.....	4
52173.....	8	108158-50B.....	2	1935010BI.....	3
52173HD.....	8	108178-50B.....	2	1940008BI.....	3
52174.....	8	108200-50B.....	2	1940010BI.....	3
52174HD.....	8	108212-50B.....	2	1950008BI.....	3
52555.....	8	108214-50B.....	2	1950010BI.....	3
52555HD.....	8	108218-50B.....	2	5512125.....	30
52561.....	8	108234-50B.....	2	5518150.....	30
52561HD.....	8	108300-50B.....	2	5518150A.....	30
53172.....	9	108312-10B.....	2	5518150ASS.....	30
53172HD.....	9	108314-10B.....	2	5518150R.....	30
53173.....	9	108400-10B.....	2	5518150RSS.....	30
53173HD.....	9	108412-10B.....	2	5518150SS.....	30
53174.....	9	108500-10B.....	2	5718150.....	30
53174HD.....	9	108600-10B.....	2		
53558.....	9	1014112-100B.....	1		
53558HD.....	9	1014134-100B.....	1		
53564.....	9	1014178-100B.....	1		
53564HD.....	9	1014200-100B.....	1		
54397.....	26	1014212-100B.....	1		
54398.....	26	1014214-100B.....	1		
58881.....	30	1913404BI.....	3		
104112-50B.....	1	1913404NI.....	4		
104112-100B.....	1	1913406BI.....	3		
104114-50B.....	1	1913406NI.....	4		
104114-100B.....	1	1913408BI.....	3		
104118-50B.....	1	1913408NI.....	4		
104118-100B.....	1	1913410BI.....	3		
104134-50B.....	1	1913410NI.....	4		
104134-100B.....	1	1920004BI.....	3		
104158-50B.....	1	1920004NI.....	4		
104158-100B.....	1	1920006BI.....	3		
104178-50B.....	1	1920006NI.....	4		



# Packaging Options

Add a dash (-) after the base number to indicate quantity.

i.e. 11073-**1** (1 per box), 15058-**10** (10 bulk), 16228-**25** (25 bulk)

ni Number	Indv. Packed	Bulk
11071	1	50
11072	1	10, 50
11073	1	25, 50
11076	1	25, 50
11077	1	10, 50
11078	1	50
11078P		25
11079	1	50
11081	1	50
11175		50
11175P		25
11176	1	50
11181		50
11187		10
11188		10
11189		10
11190		10
11191	1	10
11192		10
11375		25
11376		25
11518		50
11524		50
11525		50
11526		50
11527		50
11527U		50
11527UP		25
11527USA		50
11528		50
11528P		50
11529U		25
11529UP		25
11530U		50
11530UP		25
11533		50
11533U		25
11533UP		25
11534		25
11534P		25
11535		50
11585		10
11586		10
11587		10
11588		10
11589		10
11590		10
14004	1	
14005	1	
14031	1	
14032	1	
15002	1	10

ni Number	Indv. Packed	Bulk
15005	1	
15014	1	10
15017	1	
15020S	1	10
15022	1	10
15023	1	10
15024	1	
15025	1	
15035	1	
15047	1	10
15050	1	
15051	1	
15052	1	
15055	1	10
15057	1	
15058	1	10
15059	1	
15069	1	
15092	1	10
15101	1	10
15105	1	
15109	1	10
15126	1	10
15127	1	
15130	1	10
15131	1	10
15132	1	10, 50
15134	1	10
15320	1	10
15321	1	10
15322	1	10
15323	1	10
15325	1	10
15326	1	10
15327	1	10
15330	1	10
15331	1	10
15334	1	10
15350	1	10
15351	1	10
15353	1	10
15389	1	10
15390	1	10
15397	1	10, 50
15484	1	10
15485	1	10
15488	1	10
15489	1	10
15492	1	10
15496	1	10
15498	1	10
15500	1	10

ni Number	Indv. Packed	Bulk
15501	1	10
15503	1	10
15505	1	10
15506	1	
15509	1	10
15900	1	
15901	1	
15902	1	
15903	1	
16206	1	10, 25
16207	1	10, 25
16209	1	10
16210	1	10, 25
16211	1	
16216	1	10, 100
16218	1	10, 100
16219	1	10, 25, 100
16222	1	10, 25
16223	1	10
16228	1	10, 25, 50, 100
16229	1	
16232	1	25
16246	1	10
16269	1	10
16270	1	
16271	1	
16272	1	
16273	1	10
16704	1	10, 25
16720	1	10
16806	1	10
16827	1	10
16828	1	10, 100
18194	1	
18201	1	
18202	1	
18203	1	
18309	1	
18310	1	
18316	1	
18317	1	
18318	1	
18534	1	
18536	1	
1913404BI	1	
1913404NI	1	
1913406BI	1	
1913406NI	1	
1913408BI	1	
1913408NI	1	
1913410BI	1	
1913410NI	1	

# Packaging Options

Add a dash (-) after the base number to indicate quantity.

i.e. 20847-**1** (1 per box), 25350-**10** (10 bulk), 25367-**25** (25 bulk)

ni Number	Indv.	
	Packed	Bulk
1920004BI	1	
1920004NI	1	
1920006BI	1	
1920006NI	1	
1920008BI	1	
1920008NI	1	
1920010BI	1	
1920010NI	1	
1922504BI	1	
1922504NI	1	
1922506BI	1	
1922506NI	1	
1922508BI	1	
1922508NI	1	
1922510BI	1	
1922510NI	1	
1925004BI	1	
1925004NI	1	
1925006BI	1	
1925006NI	1	
1925008BI	1	
1925008NI	1	
1925010BI	1	
1925010NI	1	
1930004BI	1	
1930004NI	1	
1930006BI	1	
1930006NI	1	
1930008BI	1	
1930008NI	1	
1930010BI	1	
1930010NI	1	
1935010BI	1	
1940008BI	1	
1940010BI	1	
1950008BI	1	
1950010BI	1	
20233	1	
20235	1	
20238	1	
20273	1	
20521	1	10
20522	1	10
20608	1	
20610	1	
20708	1	10
20714	1	
20824	1	10
20839	1	
20843	1	10
20844	1	
20845	1	10

ni Number	Indv.	
	Packed	Bulk
20847	1	10
20853	1	
20855	1	
20856	1	
20858	1	
20860		
20862	1	
20869	1	10
20870	1	10
20875	1	
20876	1	
20877	1	
20878	1	
20879	1	
21140	1	50
21141	1	50
21145		50
21146		50
21147		100
21150		50, 100
21154		50
21159	1	100
21161		50
25180		10
25182		10
25183		10
25184		10
25185		10
25186		10
25262		10
25350		10, 25
25351		25
25352		10, 25
25353		10, 25
25180		10
25182		10
25183		10
25184		10
25185		10
25186		10
25262		10
25350		10, 25
25351		25
25352		10, 25
25353		10, 25
25357		10, 25
25358		50
25359		10, 25
25361		10, 25, 50, 100
25362		10, 25
25364		10
25365		50

ni Number	Indv.	
	Packed	Bulk
25366		10, 25
25367		10, 25, 50, 100
25368		10, 25
25369		25, 50, 100
25373		25
25374		20, 25
25377		10, 25
25379		10, 25
25380		10, 25, 50, 100
25382		10, 25
25384		10, 25
25385		25
25386	1	10, 50
25387		10, 25
25388		10, 25
25390		10
25391		10
25392		10
25393		10
25400		10, 25
25482		10
26849	1	
27142		10, 100
27143	1	50, 100
27148		50
27151		10, 50
27152		10, 50, 100
27153		50
27159		50
27164		10, 50
27166		10, 50
27510		10, 50
27803	1	10, 25
27818	1	10, 100
27822	1	10, 25, 50
27861		50
31965	1	
31966	1	
31967	1	
31968	1	
31969	1	
31970	1	
31971	1	
31972	1	
31975	1	
35178		100, 500
35179		100, 500
35245		100
35246		100
35252		100
35255		100
37513		10

## COMMON FRACTIONS OF AN INCH WITH DECIMAL & METRIC EQUIVALENTS

FRACTION	DECIMAL	MM	MM	DECIMAL	FRACTION
$1/64$	.015625	0.396	13.096	.515625	$33/64$
$1/32$	.03125	0.793	13.493	.53125	$17/32$
$3/64$	.046875	1.190	13.890	.546875	$35/64$
$1/16$	<b>.0625</b>	1.587	14.287	<b>.5625</b>	$9/16$
$5/64$	.078125	1.984	14.684	.578125	$37/64$
$3/32$	.09375	2.381	15.081	.59375	$19/32$
$7/64$	.109375	2.778	15.478	.609375	$39/64$
$1/8$	<b>.125</b>	3.175	15.875	<b>.625</b>	$5/8$
$9/64$	.140625	3.571	16.271	.640625	$41/64$
$5/32$	.15625	3.968	16.668	.65625	$21/32$
$11/64$	.171875	4.365	17.065	.671875	$43/64$
$3/16$	<b>.1875</b>	4.762	17.462	<b>.6875</b>	$11/16$
$13/64$	.203125	5.159	17.859	.703125	$45/64$
$7/32$	.21875	5.556	18.256	.71875	$23/32$
$15/64$	.234375	5.953	18.653	.734375	$47/64$
$1/4$	<b>.250</b>	6.350	19.050	<b>.750</b>	$3/4$
$17/64$	.265625	6.746	19.446	.765625	$49/64$
$9/32$	.28125	7.143	19.843	.78125	$25/32$
$19/64$	.296875	7.540	20.240	.796875	$51/64$
$5/16$	<b>.3125</b>	7.937	20.637	<b>.8125</b>	$13/16$
$21/64$	.328125	8.334	21.034	.828125	$53/64$
$11/32$	.34375	8.731	21.431	.84375	$27/32$
$23/64$	.359375	9.128	21.828	.859375	$55/64$
$3/8$	<b>.375</b>	9.525	22.225	<b>.875</b>	$7/8$
$25/64$	.390625	9.921	22.621	.890625	$57/64$
$13/32$	.40625	10.318	23.018	.90625	$29/32$
$27/64$	.421875	10.715	23.415	.921875	$59/64$
$7/16$	<b>.4375</b>	11.112	23.812	<b>.9375</b>	$15/16$
$29/64$	.453125	11.509	24.209	.953125	$61/64$
$15/32$	.46875	11.906	24.606	.96875	$31/32$
$31/64$	.484375	12.303	25.003	.984375	$63/64$
$1/2$	<b>.500</b>	12.700	25.400	<b>1.0000</b>	<b>1</b>



# Clamps

## STANDARD DUTY SADDLE, ROUND HOLES, 5/16" U-BOLT WITH FLANGE NUTS

\*ADD P BEFORE - FOR ZINC PLATED

Size	ni Number (Bulk 50)	ni Number (Bulk 100)
1-1/8"	104118-50B	104118-100B
1-1/4"	104114-50B	104114-100B
1-1/2"	104112-50B	104112-100B
1-5/8"	104158-50B	104158-100B
1-3/4"	104134-50B	104134-100B
1-7/8"	104178-50B	104178-100B
2"	104200-50B	104200-100B
2-1/8"	104218-50B	104218-100B
2-1/4"	104214-50B	104214-100B
2-1/2"	104212-50B	104212-100B



## STANDARD DUTY SADDLE, 5/16" U-BOLT WITH BIG NUTS (FITS 9/16" SOCKET)

Size	ni Number (Bulk 100)
1-1/8"	105118-100B
1-1/4"	105114-100B
1-1/2"	105112-100B
1-5/8"	105158-100B
1-3/4"	105134-100B
1-7/8"	105178-100B
2"	105200-100B
2-1/8"	105218-100B
2-1/4"	105214-100B
2-1/2"	105212-100B



## STANDARD DUTY SADDLE, 5/16" U-BOLT W/ HIGH STYLE FLANGE NUT (7/16" HIGH FOR USE WITH IMPACT SOCKETS)

\*ADD P BEFORE - FOR ZINC PLATED

Size	ni Number (Bulk 100)
1-1/2"	1014112-100B
1-3/4"	1014134-100B
1-7/8"	1014178-100B
2"	1014200-100B
2-1/4"	1014214-100B
2-1/2"	1014212-100B



 **7/16" High Style Flange  
Nut - use with Impact Sockets**

# Clamps

## HEAVY DUTY SADDLE, SLOTTED HOLES, 3/8" U-BOLT WITH FLANGE NUTS

\*ADD P BEFORE - FOR ZINC PLATED

Size	ni Number (Bulk 50)
1-1/2"	107112-50B
1-3/4"	107134-50B
1-7/8"	107178-50B
2"	107200-50B
2-1/4"	107214-50B
2-1/2"	107212-50B
3"	107300-50B



## HEAVY DUTY SADDLE, ROUND HOLES, 3/8" U-BOLT WITH FLANGE NUTS

\*ADD P BEFORE - FOR ZINC PLATED

Size	ni Number (Bulk 50)	ni Number (Bulk 10)	Notes
1-1/2"	108112-50B		
1-5/8"	108158-50B		
1-3/4"	108134-50B		
1-7/8"	108178-50B		
2"	108200-50B		
2-1/8"	108218-50B		
2-1/4"	108214-50B		
2-1/2"	108212-50B		
2-3/4"	108234-50B		
3"	108300-50B		
3-1/4"		108314-10B	Square Saddle
3-1/2"		108312-10B	Square Saddle
4"		108400-10B	Square Saddle
4-1/2"		108412-10B	Square Saddle
5"		108500-10B	Square Saddle
6"		108600-10B	Square Saddle



## EASYSEAL® BY TORCA® STAINLESS STEEL

Size	ni Number (Indv Boxed 10)
2"	1420
2-1/4"	1421
2-1/2"	1422
2-3/4"	1423
3"	1424
3-1/4"	1425
3-1/2"	1426
3-3/4"	1427
4"	1428
4-1/2"	1429
5"	1430
6"	1431



## TORCTITE® PREFORMED BY TORCA® ALUMINIZED

Size	ni Number (Indv Boxed 10)
2"	1721
2-1/4"	1722
2-1/2"	1723
2-3/4"	1724
3"	1725
3-1/2"	1726
4"	1727
4-1/2"	1728
5"	1729
6"	1730



# Flexible Tubing

## BLANK ENDS NIFLEX WITH INNER BRAID

ni Number	Pipe Size	Flex Length	Overall Length
1913404BI	1-3/4"	4"	4"
1913406BI	1-3/4"	6"	6"
1913408BI	1-3/4"	8"	8"
1913410BI	1-3/4"	10"	10"
1920004BI	2"	4"	4"
1920006BI	2"	6"	6"
1920008BI	2"	8"	8"
1920010BI	2"	10"	10"
1922504BI	2-1/4"	4"	4"
1922506BI	2-1/4"	6"	6"
1922508BI	2-1/4"	8"	8"
1922510BI	2-1/4"	10"	10"
1925004BI	2-1/2"	4"	4"
1925006BI	2-1/2"	6"	6"
1925008BI	2-1/2"	8"	8"
1925010BI	2-1/2"	10"	10"
1930004BI	3"	4"	4"
1930006BI	3"	6"	6"
1930008BI	3"	8"	8"
1930010BI	3"	10"	10"
1935010BI	5"	10"	10"
1940008BI	4"	8"	8"
1940010BI	4"	10"	10"
1950008BI	5"	8"	8"
1950010BI	5"	10"	10"



## Flexible Tubing - Part Numbering System

19	134	04	B	I
<b>Product Category</b> 19 = Flex Tubing	<b>Flex I.D</b> 134 = 1-3/4" 200 = 2" 225 = 2-1/4" 250 = 2-1/2" 300 = 3" 400 = 4" 500 = 5"	<b>Bellows Length</b> 04 = 4" 06 = 6" 08 = 8" 10 = 10"	<b>End Type</b> B = Blank	<b>Style</b> I = Inner Braid

# Flexible Tubing

## NIFLEX WITH NIPPLE EXTENSIONS AND INNER BRAID

ni Number	Pipe Size	Flex Length	Overall Length
1913404NI	1-3/4"	4"	8"
1913406NI	1-3/4"	6"	10"
1913408NI	1-3/4"	8"	12"
1913410NI	1-3/4"	10"	14"
1920004NI	2"	4"	8"
1920006NI	2"	6"	10"
1920008NI	2"	8"	12"
1920010NI	2"	10"	14"
1922504NI	2-1/4"	4"	8"
1922506NI	2-1/4"	6"	10"
1922508NI	2-1/4"	8"	12"
1922510NI	2-1/4"	10"	14"
1925004NI	2-1/2"	4"	8"
1925006NI	2-1/2"	6"	10"
1925008NI	2-1/2"	8"	12"
1925010NI	2-1/2"	10"	14"
1930004NI	3"	4"	8"
1930006NI	3"	6"	10"
1930008NI	3"	8"	12"
1930010NI	3"	10"	14"



## Flexible Tubing - Part Numbering System

19	134	04	N	I
<b>Product Category</b> 19 = Flex Tubing	<b>Flex I.D</b> 134 = 1-3/4" 200 = 2" 225 = 2-1/4" 250 = 2-1/2" 300 = 3"	<b>Bellows Length</b> 04 = 4" 06 = 6" 08 = 8" 10 = 10"	<b>End Type</b> N = Nipple	<b>Style</b> I = Inner Braid

**DESIGN MAKES  
THE DIFFERENCE**

[www.nickson.com](http://www.nickson.com)



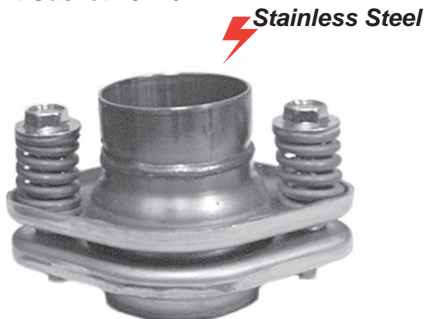
# Flexible Joint & Flange Repair Pipe

## 48200

The base system includes flanges with a high temperature "donut-style" gasket and spring loaded fasteners pre-assembled to the correct torque.

**Fits 2" Pipe**

Replacement Gasket 13426



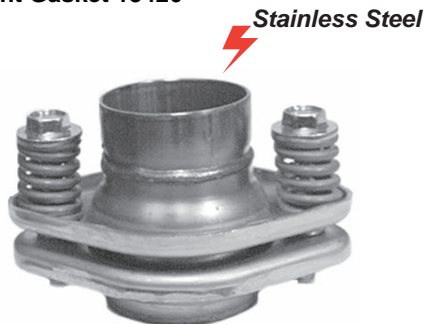
U.S. Patent # 5,683,119

## 48214

The base system includes flanges with a high temperature "donut-style" gasket and spring loaded fasteners pre-assembled to the correct torque.

**Fits 2-1/4" Pipe**

Replacement Gasket 13426



## 31965

2000-02 Chevrolet Impala 3.4L  
 1999-03 Chevrolet Malibu 3.1L  
 1997-03 Chevrolet Monte Carlo 3.1L, 3.4L  
 1999-03 Pontiac Grand Prix 3.1L



USES GASKET 13332

## 48212

Repair system is made from 304 stainless steel, the overall length is approximately 7".

**Fits 2-1/2" Pipe**

Replacement Gasket 13426

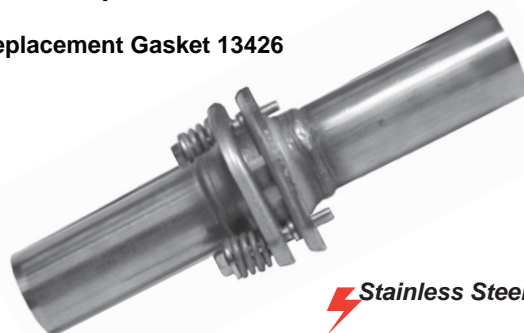


## 48200E

Extensions are made of 430 S/S tubing, 2". This provides for greater flexibility over a wider range of applications and allows the unit to be clamped or welded. The overall length is approximately 12".

**Fits 2" Pipe**

Replacement Gasket 13426



## 31966

1999-01 Oldsmobile Alero 2.4L  
 2002-04 Oldsmobile Alero 2.2L  
 1999-01 Pontiac Grand Am 2.4L  
 2002-04 Pontiac Grand Am 2.2L  
 2002-03 Chevrolet Cavalier 2.2L  
 1999-02 Chevrolet Cavalier 2.4L



USES GASKET 13338



# Flexible Flange Repair Pipe

## 31967

1996-97 Chevrolet Truck S10 Pickup 2.2L  
1996-97 GMC S15 Sonoma 2.2L  
1996-97 Isuzu Hombre 2.2L

USES GASKET 13327



## 31968

1998-03 Chevrolet Truck S10 2.2L  
1998-03 GMC S15 Sonoma 2.2L  
1998-03 Isuzu Hombre 2.2L

USES GASKET 13328



## 31969

1997-98 Buick Skylark 2.4L  
1997-98 Chevrolet Cavalier, Malibu 2.4L  
1997-98 Oldsmobile Achieva 2.4L  
1997-98 Pontiac Grand Am, Sunfire 2.4L

USES GASKET 13283



## 31970

2000 Chrysler 3.0L V6  
1996-00 Dodge Caravan & Grand Caravan  
3.0L 3.3L, 3.8L  
1996-00 Plymouth Voyager & Grand Voyager  
1996-00 3.0L 3.3L, 3.8L V6  
Chrysler Town & Country 3.0L 3.3L, 3.8L V6

USES GASKET 13293



## 31971

1995-03 Chrysler Cirrus, Sebring 2.4L, 2.5L  
1995-03 Dodge Stratus 2.0L 2.4L, 2.5L  
1998-00 Plymouth Breeze 2.0L, 2.4L  
1999-03 Dodge Neon 2.0L, 2.4L

USES GASKET 13357



## 31972

1995-00 Ford Contour 2.5L V6 w/ A.T  
1995-00 Mercury Mystique 2.5L V6 w/ A.T

USES GASKET 13308



# Flexible Flange & Flange Repair Pipe

## 31973

97-04 Buick Regal 3.8L  
 00-05 Chevrolet Impala, Monte Carlo 3.8L K Eng.  
 04-05 Chevrolet Impala, Monte Carlo Super Charged 3.8L  
 98-99 Oldsmobile Intrigue 3.8L K. Eng.  
 99-02 Oldsmobile Intrigue 3.5L  
 97-03 Pontiac Grand Prix 3.8L

**USES GASKET 13334**



## 31975

1999-2005 Chevrolet Cavalier 2.2L  
 (except 2.2L Eng. Code 4)  
 2005-08 Chevrolet Cobalt 2.2L, 4cyl  
 2006-07 Chevrolet HHR 2.2L & 2.4L, 4 cyl  
 2007 Pontiac G5 2.2L & 2.4L, 4 cyl  
 2003-07 Saturn Ion 2.2L  
 2007 Saturn Ion 2.4L

**USES GASKET 13367**



## 31976

1987 - 92 Volkswagen Golf & Jetta 1.8L  
 1998 - 99 Volkswagen Beetle 2.0L  
 1999 - 00 Volkswagen Jetta 2.0L

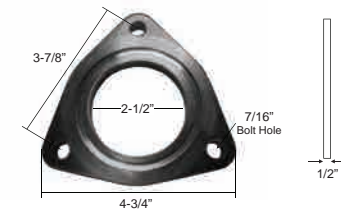
**USES GASKET 13864**



## 15900

3 Bolt Flange With Pipe & O2 Sensor Bung  
 GM Trucks:  
 1999-2007 4.3L Right Side  
 1999-2007 4.8L & 5.3L Right Side  
 1999-2007 some 6.0L 8.1L Left/Right Side

**USES GASKET 13323  
 OR CRUSH RING 13329**

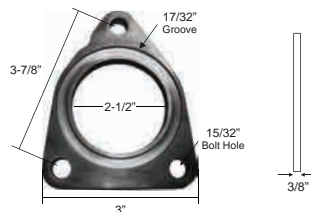


**USES FLANGE 15051**

## 15901

3 Bolt Flange With Pipe & O2 Sensor Bung  
 GM Trucks:  
 1999-2005 4.3L Left Side  
 1999-2001 4.8L & 5.3L Left Side

**USES GASKET 13323  
 OR CRUSH RING 13329**



**USES FLANGE 15050**

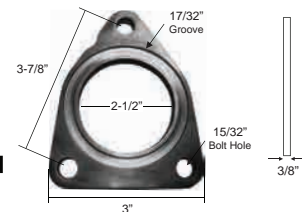
## 15902

3 Bolt Flange With Pipe & O2 Sensor Bung  
 GM Trucks:  
 Mid 2007 & up 4.3L, 4.8L, & 5.3L Left Side  
 Mid 2007 & up 6.0L & 8.1L Left Side

**USES GASKET 13323  
 OR CRUSH RING 13329**



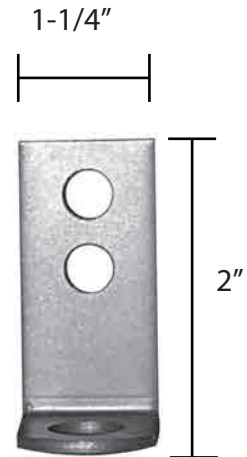
**Angled  
 Pipe**



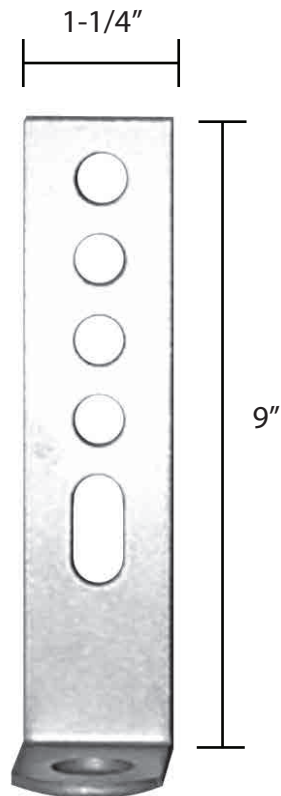
**USES FLANGE 15050**

# Metal Straps - 90 Degree "L"

Strap Length	Thickness	ni Number	R.	M.	Qty.
<b>2 HOLE "L" STRAP</b>					
1-1/2"	1/8" Standard	22170	N/A	2H1300L	50
1-1/2"	3/16" Heavy Duty	22170HD	N/A	N/A	25
2"	1/8" Standard	22533	2HL200	2HL200	50
2"	3/16" Heavy Duty	22533HD	2HL200HD	2HL200HD	25
2-1/2"	1/8" Standard	22171	N/A	2H1301L	50
2-1/2"	3/16" Heavy Duty	22171HD	N/A	N/A	25
3"	1/8" Standard	22534	2HL300	2HL300	50
3"	3/16" Heavy Duty	22534HD	2HL300HD	2HL300HD	25
3-1/2"	1/8" Standard	22345	N/A	N/A	50
3-1/2"	3/16" Heavy Duty	22345HD	N/A	N/A	25
4"	1/8" Standard	22535	N/A	N/A	50
4"	3/16" Heavy Duty	22535HD	N/A	N/A	25
4-1/4"	1/8" Standard	22537	2HL425	2H1303L	50
4-1/4"	3/16" Heavy Duty	22537HD	2HL425HD	2HL425HD	25
4-1/2"	1/8" Standard	22346	N/A	N/A	50
4-1/2"	3/16" Heavy Duty	22346HD	N/A	N/A	25
5-1/2"	1/8" Standard	22347	2HL550	2HL550	50
5-1/2"	3/16" Heavy Duty	22347HD	2HL550HD	2HL550HD	25
7-1/2"	1/8" Standard	22348	2HL750	2H1321L	50
7-1/2"	3/16" Heavy Duty	22348HD	2HL750HD	2HL750HD	25
9"	1/8" Standard	22545	2HL900	2HL900	50
9"	3/16" Heavy Duty	22545HD	2HL900HD	2HL900HD	25
11"	1/8" Standard	22546	N/A	N/A	50
11"	3/16" Heavy Duty	22546HD	2HL110HD	2HL110HD	25
12-1/2"	1/8" Standard	22349	2HL125	2HL125	50
12-1/2"	3/16" Heavy Duty	22349HD	2HL125HD	2HL125HD	25
14"	1/8" Standard	22536	2HL140	2HL140	50
14"	3/16" Heavy Duty	22536HD	N/A	N/A	25
<b>5 HOLE "L" STRAP</b>					
4-1/2"	1/8" Standard	52555	5HL450	5HL450	50
4-1/2"	3/16" Heavy Duty	52555HD	5HL450HD	5HL450HD	25
5-1/2"	1/8" Standard	52172	5HL550	H1311L	50
5-1/2"	3/16" Heavy Duty	52172HD	5HL550HD	5HL550HD	25
7-1/2"	1/8" Standard	52173	5HL750	H1321L	50
7-1/2"	3/16" Heavy Duty	52173HD	5HL750HD	5HL750HD	25
9"	1/8" Standard	52561	5HL900	5HL900	50
9"	3/16" Heavy Duty	52561HD	5HL900HD	5HL900HD	25
12-1/2"	1/8" Standard	52174	5HL125	5HL125	50
12-1/2"	3/16" Heavy Duty	52174HD	5HL125HD	5HL125HD	25
<b>NO HOLE "L" STRAP</b>					
3"	1/8" Standard	00568	NHL300	NHL300	50
3"	3/16" Heavy Duty	00568HD	NHL300HD	NHL300HD	25
4-1/4"	3/16" Heavy Duty	00571HD	NHL425HD	NHL425HD	25
5-1/2"	1/8" Standard	00574	NHL550	2H1311LNH	50
5-1/2"	3/16" Heavy Duty	00574HD	NHL500HD	NHL550HD	25
7-1/2"	1/8" Standard	00580	NHL750	2H1321LNH	50
7-1/2"	3/16" Heavy Duty	00580HD	NHL700HD	NHL700HD	25
9"	1/8" Standard	00582	NHL900	NHL900	50
9"	3/16" Heavy Duty	00582HD	NHL900HD	NHL900HD	25
12-1/2"	3/16" Heavy Duty	00583HD	NHL125HD	NHL125HD	25



22533/22533HD  
2 Hole L Strap



52561/52561HD  
5 Hole "L" Strap

For Grommets See Page 16

R. ROL; M. MARWIL

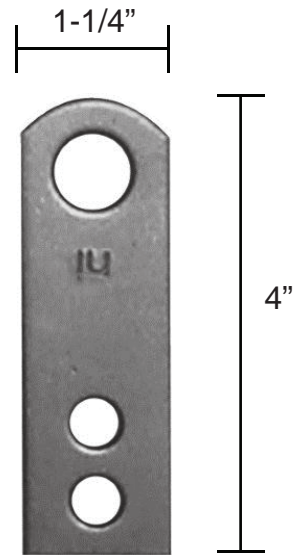
**DESIGN MAKES  
THE DIFFERENCE**

[www.nickson.com](http://www.nickson.com)

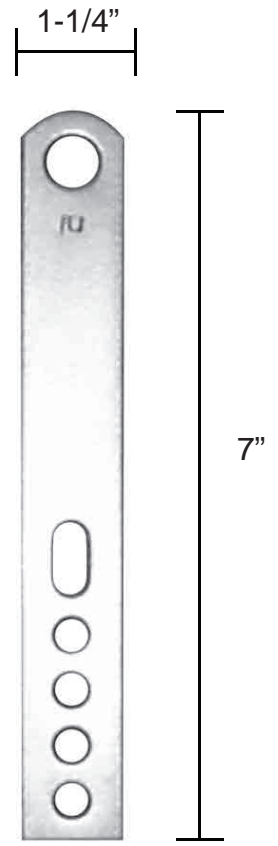


# Metal Straps - Straight

Strap Length	Thickness	ni Number	R.	M.	Qty.
<b>2 HOLE STRAIGHT STRAP</b>					
3"	1/8" Standard	23170	2HS300	2H1300	50
3"	3/16" Heavy Duty	23170HD	2HS300HD	2HS300HD	25
4"	1/8" Standard	23171	N/A	2H1301	50
4"	3/16" Heavy Duty	23171HD	N/A	N/A	25
4-1/2"	1/8" Standard	23539	2HS450	2HS450	50
4-1/2"	3/16" Heavy Duty	23539HD	2HS450HD	2HS450HD	25
5"	1/8" Standard	23345	N/A	N/A	50
5"	3/16" Heavy Duty	23345HD	N/A	N/A	25
5-3/4"	1/8" Standard	23542	2HS575	2HS575	50
5-3/4"	3/16" Heavy Duty	23542HD	2HS575HD	2HS575HD	25
6"	1/8" Standard	23346	N/A	N/A	50
6"	3/16" Heavy Duty	23346HD	N/A	N/A	25
7"	1/8" Standard	23172	2HS700	2H1311	50
7"	3/16" Heavy Duty	23172HD	2HS700HD	2HS700HD	25
9"	1/8" Standard	23348	2HS900	2H1321	50
9"	3/16" Heavy Duty	23348HD	2HS900HD	2HS900HD	25
11"	1/8" Standard	23548	2HS110	2HS110	50
11"	3/16" Heavy Duty	23548HD	2HS110HD	2HS110HD	25
14"	1/8" Standard	23349	2HS140	2H1331	50
14"	3/16" Heavy Duty	23349HD	2HS140HD	2HS140HD	25
<b>3 HOLE STRAIGHT STRAP</b>					
3"	1/8" Standard	33552	3HL300	3HL300	50
<b>4 HOLE STRAIGHT STRAP</b>					
4-1/2"	1/8" Standard	43553	4HS450	4HS450	50
4-1/2"	3/16" Heavy Duty	43553HD	4HS450HD	4HS450HD	25
<b>5 HOLE STRAIGHT STRAP</b>					
5-3/4"	1/8" Standard	53558	5HS575	5HS575	50
5-3/4"	3/16" Heavy Duty	53558HD	5HS575HD	5HS575HD	25
7"	1/8" Standard	53172	5HS700	H1311	50
7"	3/16" Heavy Duty	53172HD	5HS700HD	5HS700HD	25
9"	1/8" Standard	53173	5HS900	H1321	50
9"	3/16" Heavy Duty	53173HD	5HS900HD	5HS900HD	25
11"	1/8" Standard	53564	5HS110	5HS110	50
11"	3/16" Heavy Duty	53564HD	5HS110HD	5HS110HD	25
14"	1/8" Standard	53174	5HS140	H1331	50
14"	3/16" Heavy Duty	53174HD	5HS140HD	5HS140HD	25
<b>NO HOLE STRAIGHT STRAP</b>					
3"	3/16" Heavy Duty	01569HD	NHS300HD	NHS300HD	25
4-1/2"	1/8" Standard	01572	NHS450	NHS450	50
4-1/2"	3/16" Heavy Duty	01572HD	NHS450HD	NHS450HD	25
5-3/4"	3/16" Heavy Duty	01576HD	NHS575HD	NHS575HD	25
6-1/4"	1/8" Standard	01577	NHS625	NHS625	50
7"	3/16" Heavy Duty	01579HD	NHS700HD	NHS700HD	25
7"	1/8" Standard	01585	N/A	N/A	50
9"	1/8" Standard	01581	NHS900	NHS900	50
9"	3/16" Heavy Duty	01581HD	NHS900HD	NHS900HD	25
9"	1/8" Standard	01355	NHS900W	NHS900W	25
11"	3/16" Heavy Duty	01588HD	NHS110HD	NHS110HD	25
12"	1/8" Standard	01356	NHS120W	NHS120W	25



23171/23171HD  
2 Hole Straight Strap



53172/53172HD  
5 Hole Straight Strap

For Grommets See Page 16

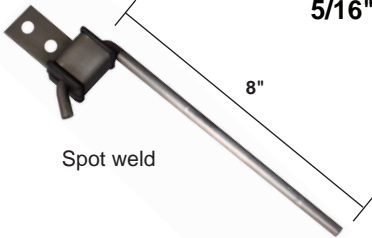
R. ROL; M. MARWIL

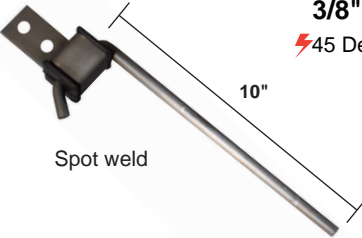
www.nickson.com

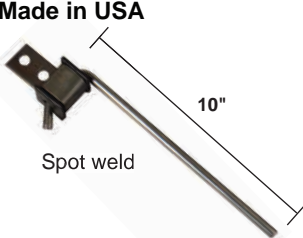
**DESIGN MAKES THE DIFFERENCE**

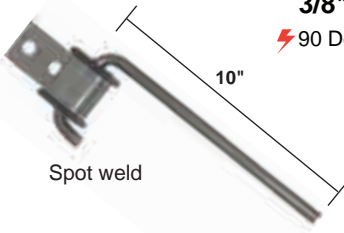
Please refer to our Master Catalog (EAC212) for our full line offering.

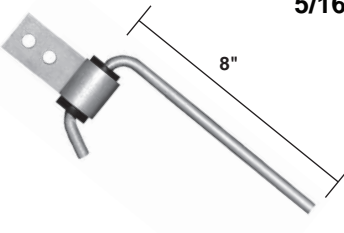
# Swivel Hangers

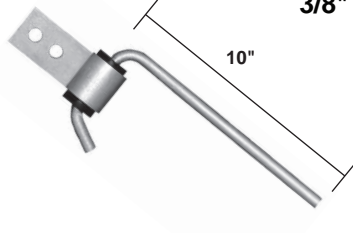
**11526**  
**5/16" wire**  
  
 Spot weld  
 A. 339817 M. FW912  
 R. BR92253 W. N/A

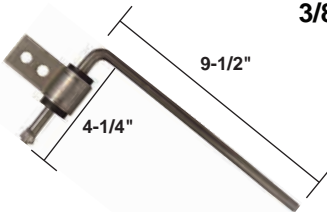
**11527**  
**3/8" wire**  
 ⚡ 45 Degrees  
  
 Spot weld  
 A. 339816 M. FW913L  
 R. BR92253HD W. N/A


**11527USA**  
**Made in USA**  
**3/8" wire**  
 45 Degrees  
  
 Spot weld  
 A. N/A M. N/A  
 R. N/A W. N/A

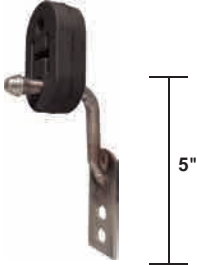
**11533**  
**3/8" wire**  
 ⚡ 90 Degrees  
  
 Spot weld  
 A. 339816 M. FW913L  
 R. BR92253HD W. N/A


**11518**  
**5/16" wire**  
  
 A. N/A M. N/A  
 R. N/A W. N/A

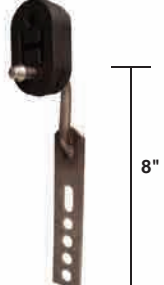
**11524**  
**3/8" wire**  
  
 A. N/A M. N/A  
 R. N/A W. N/A


**11525**  
**3/8" wire**  
  
 A. N/A M. N/A  
 R. N/A W. N/A

**11187**  
**3/8" wire**  
**H.D. Strap**  
**Flat**  
  
 A. N/A M. N/A  
 R. N/A W. N/A

**11188**  
**3/8" wire**  
**H.D. Strap**  
**90 Degrees**  
  
 A. N/A M. N/A  
 R. N/A W. N/A


**11189**  
**3/8" wire**  
**H.D. Strap**  
**Flat**  
  
 A. N/A M. N/A  
 R. N/A W. N/A

**11190**  
**3/8" wire**  
**H.D. Strap**  
**90 Degrees**  
  
 A. N/A M. N/A  
 R. N/A W. N/A

**11191**  
**3/8" wire**  
**H.D. Strap**  
**Flat**  
  
 A. N/A M. N/A  
 R. N/A W. N/A

**11192**  
**3/8" wire**  
**H.D. Strap**  
**90 Degrees**  
  
 A. N/A M. UH425  
 R. UH425 W. N/A

**11527U**  
**Add "P" for Zinc Plated**  
**3/8" wire**  
  
 A. 339819 M. FW913LU  
 R. FW913LU W. N/A

**11530U**  
**Add "P" for Zinc Plated**  
**3/8" wire**  
  
 A. N/A M. FW920LU  
 R. FW920LU W. N/A

A. AP/GOERLICH'S; M. MARWIL; R. ROL; W. WALKER

**DESIGN MAKES THE DIFFERENCE**

[www.nickson.com](http://www.nickson.com)



# Swivel Hangers, Brackets, Wire Forms

**11529U**  
 Add "P" for Zinc Plated    **1/2" wire**

A. N/A  
 R. FW902LU

M. FW902LU  
 W. N/A

**11533U**  
 Add "P" for Zinc Plated    **1/2" wire**

A. N/A  
 R. FW903LU

M. FW903LU  
 W. N/A

**11535**  
**3/8" wire**

A. N/A  
 R. N/A

M. N/A  
 W. N/A

**11528**  
 Add "P" for Zinc Plated

Spot weld    Use up to 3/8" wire

A. N/A  
 R. BR92256

M. TPH1332B  
 W. N/A

**11534**  
 Add "P" for Zinc Plated

Spot weld    Use up to 1/2" wire

A. N/A  
 R. BR92927

M. TPH2927B  
 W. N/A

**11375**

Use up to 3/8" wire

A. N/A  
 R. N/A

M. N/A  
 W. N/A

**11376**

Use up to 3/8" wire

A. N/A  
 R. N/A

M. N/A  
 W. N/A

**25379**  
**3/8" wire**

A. N/A  
 R. N/A

M. N/A  
 W. N/A

**25373**  
**3/8" wire**

A. N/A  
 R. BR92257

M. FW257  
 W. N/A

**25351**  
**3/8" wire**

A. N/A  
 R. FW920

M. FW920  
 W. N/A

**25374**  
**1/2" wire**

A. N/A  
 R. FW901

M. FW901  
 W. N/A

**25377**  
**1/2" wire**

A. N/A  
 R. FW902

M. FW902  
 W. N/A

**25352**  
**1/2" wire**

A. N/A  
 R. FW903

M. FW903  
 W. N/A

**25361**  
**5/16" wire**

A. 9970  
 R. BR99003

M. FW003  
 W. 35004

**25367**  
**5/16" wire**

A. 339896  
 R. BR91914

M. FW862  
 W. N/A

A. AP/GOERLICH'S; M. MARWIL; R. ROL; W. WALKER

[www.nickson.com](http://www.nickson.com)

**DESIGN MAKES THE DIFFERENCE**

Please refer to our Master Catalog (EAC212) for our full line offering.

# Wire Forms

**25358**  
5/16" wire

A. N/A                      M. N/A  
R. N/A                      W. N/A

**25368**  
5/16" wire

A. N/A                      M. N/A  
R. N/A                      W. N/A

**25369**  
5/16" wire

A. N/A                      M. FW862L  
R. FW862L                      W. N/A

**25385**  
5/16" wire

A. N/A                      M. BR91914L  
R. BR91914L                      W. N/A

**25380**  
3/8" wire

A. N/A                      M. FW914  
R. BR92218                      W. N/A

**25387**  
3/8" wire

A. N/A                      M. FW250  
R. FW250                      W. N/A

**25359**  
3/8" wire  
90 Degrees

A. 339830                      M. FW915  
R. BR92915                      W. N/A

**25350**  
1/2" wire

A. N/A                      M. FW910  
R. BR92219                      W. N/A

**25390**  
3/8" wire

A. N/A                      M. N/A  
R. N/A                      W. N/A

**25391**  
3/8" wire

A. N/A                      M. FW251  
R. FW251                      W. N/A

**25392**  
1/2" wire

A. N/A                      M. FW205  
R. FW205                      W. N/A

**25393**  
1/2" wire

A. N/A                      M. FW215  
R. FW215                      W. N/A

**25365**  
5/16" wire

A. N/A                      M. N/A  
R. N/A                      W. N/A

**25366**  
5/16" wire

A. N/A                      M. FW882  
R. BR92167                      W. N/A

**25357**  
3/8" wire

A. N/A                      M. FW884  
R. BR92168                      W. N/A

A. AP/GOERLICH'S; M. MARWIL; R. ROL; W. WALKER

**DESIGN MAKES THE DIFFERENCE**

[www.nickson.com](http://www.nickson.com)

# Wire Forms

**25362**  
1/2" wire

A. N/A  
R. BR92169

M. FW885  
W. N/A

**26262**  
5/16" wire

A. 339998  
R. BR99006

M. FW006  
W. N/A

**25364**  
5/16" wire

A. N/A  
R. BR5257

M. FW857  
W. N/A

**25382**  
5/16" wire

A. N/A  
R. BR92224

M. FW848  
W. N/A

**25386**  
5/16" wire

A. 9939  
R. BR736

M. FW736  
W. 35026

**25388**  
5/16" wire

A. N/A  
R. BR710

M. FW710  
W. N/A

**25400**  
5/16" wire

A. N/A  
R. BR92250

M. BR92250  
W. N/A

**25482**  
5/16" wire

A. N/A  
R. BR99004

M. FW004  
W. N/A

**25353**  
3/8" wire

A. N/A  
R. FW897

M. FW897  
W. N/A

**25384**  
3/8" wire  
40 Degree

A. N/A  
R. FW876

M. FW915A  
W. N/A

**25180**  
3/8" wire  
H.D. Strap  
Flat

A. N/A  
R. N/A

M. N/A  
W. N/A

**25182**  
3/8" wire  
H.D. Strap  
90 Degrees

A. N/A  
R. N/A

M. N/A  
W. N/A

**25183**  
3/8" wire  
H.D. Strap  
Flat

A. N/A  
R. N/A

M. N/A  
W. N/A

**25184**  
3/8" wire  
H.D. Strap  
90 Degrees

A. N/A  
R. N/A

M. N/A  
W. N/A

**25185**  
3/8" wire  
H.D. Strap  
Flat

A. N/A  
R. N/A

M. N/A  
W. N/A

A. AP/GOERLICH'S; M. MARWIL; R. ROL; W. WALKER

[www.nickson.com](http://www.nickson.com)

**DESIGN MAKES  
THE DIFFERENCE**

Please refer to our Master Catalog (EAC212) for our full line offering.

# Strap Hooks, 360 Swingers

**25186**

**3/8" wire**  
H.D. Strap  
90 Degree

10"

A. N/A  
R. N/A

M. N/A  
W. N/A

**37513**

**3/8" wire**  
90 Degree

2-1/4" 1-1/2" 2-1/4" 6-1/4"

A. N/A  
R. BR91934

M. FW016  
W. N/A

**37515**

**3/8" wire**  
90 Degree

3-1/8" 2-1/4" 3-1/2" 7-1/8"

A. 8048  
R. BR91931

M. FW013  
W. N/A

**37516**

**3/8" wire**  
180 Degrees

3" 2-1/4" 3-1/2" 6-1/8"

A. 8047  
R. BR91932

M. FW014  
W. N/A

**11071**

**"mini"**  
Open End  
Swinger

A. 8236  
R. BR689

M. TPH22B  
W. 35027

**11176**

**"mini"**  
Closed End  
Swinger

A. 339860  
R. BR92247

M. TPH25B  
W. N/A

**11079**

**"Short"**  
Open End  
Swinger

A. N/A  
R. BR92193

M. TPH36B  
W. N/A

**11081**

**"Short"**  
Closed End  
Swinger

A. 339994  
R. BR92170

M. TPH35B  
W. N/A

**11078**

**Add "P" for Zinc Plated**  
9-1/4"  
Open End  
Swinger

A. N/A  
R. BR92073

M. TPH21B  
W. 35957

**11175**

**Add "P" for Zinc Plated**  
9-1/4"  
Closed End  
Swinger

A. 8049  
R. BR92172

M. TPH24B  
W. N/A

**11181**

**9-1/4"**  
No Holes  
Closed End  
Swinger

A. N/A  
R. BR92226

M. TPH24B-Blank  
W. N/A

**11073**

**13-1/4"**  
Open End  
Swinger

A. N/A  
R. BR92242

M. TPH21MB  
W. N/A

**11076**

**13-1/4"**  
Closed End  
Swinger

A. 8052  
R. BR92241

M. TPH24MB  
W. N/A

**11072**

**17-1/4"**  
Open End  
Swinger

A. N/A  
R. BR92240

M. TPH21LB  
W. N/A

**11077**

**17-1/4"**  
Closed End  
Swinger

A. 8051  
R. BR92239

M. TPH24LB  
W. N/A

A. AP/GOERLICH'S; M. MARWIL; R. ROL; W. WALKER

**DESIGN MAKES THE DIFFERENCE**

[www.nickson.com](http://www.nickson.com)

Please refer to our Master Catalog (EAC212) for our full line offering.

# 360 Swingers, Rubber Hangers

**11585**

2" **9-3/4"**  
"MAXI"  
Closed End  
Swinger

⚡ Ideal For H.D. Applications

A. N/A M. N/A  
R. N/A W. N/A

**11588**

2" **9-3/4"**  
"MAXI"  
No Holes  
Closed End  
Swinger

⚡ Ideal For H.D. Applications

A. N/A M. N/A  
R. N/A W. N/A

**11586**

2" **13-1/4"**  
"MAXI"  
Closed End  
Swinger

⚡ Ideal For H.D. Applications

A. N/A M. N/A  
R. N/A W. N/A

**11589**

2" **13-1/4"**  
"MAXI"  
No Holes  
Closed End  
Swinger

⚡ Ideal For H.D. Applications

A. N/A M. N/A  
R. N/A W. N/A

**11587**

2" **17-1/4"**  
"MAXI"  
Closed End  
Swinger

⚡ Ideal For H.D. Applications

A. N/A M. N/A  
R. N/A W. N/A

**11590**

2" **17-1/4"**  
"MAXI"  
No Holes  
Closed End

⚡ Ideal For H.D. Applications

A. N/A M. N/A  
R. N/A W. N/A

**21140**

2-1/2" **8"**  
7/16" Thick

A. N/A M. TPH81B  
R. BR107U W. 35883

**21141**

2" **8"**  
7/16" Thick

A. 9944 M. TPH91B  
R. BR107 W. 35398

**21145**

2-1/4" **8-9/16"**  
1/2" Thick

A. N/A M. TPH92B  
R. BR92243 W. 35418

**21146**

1-3/8" **7-1/4"**  
5/16" Thick

A. N/A M. N/A  
R. N/A W. N/A

**21147**

1-3/8" **7-1/4"**  
5/16"

A. 8020 M. TPH72B  
R. BR104L W. 36274

**21150**

1-1/2" **5-3/4"**  
1/2"

A. 339801 M. TPH71BXHD  
R. BR104X W. N/A

**21154**

1-3/8" **7"**  
1/2"

A. N/A M. TPH221B  
R. BR91927 W. N/A

**21159**

1-3/8" **5-1/2"**  
3/8"

A. 9933 M. TPH71B  
R. BR104 W. 35315

**21161**

1-7/16" **5"**  
5/8"

A. N/A M. TPH925B  
R. BR91925 W. N/A

A. AP/GOERLICH'S; M. MARWIL; R. ROL; W. WALKER

[www.nickson.com](http://www.nickson.com)

**DESIGN MAKES THE DIFFERENCE**

Please refer to our Master Catalog (EAC212) for our full line offering.



# Grommets, Rubber Insulators

**35178**  
**Rubber Grommet Male**  
  
 A. F5179 M. GR95  
 R. BR016 W. 35395

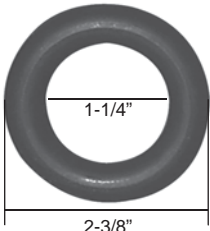
**35179**  
**Rubber Grommet Female**  
  
 A. F5178 M. GR96  
 R. BR015 W. 35394

**35245**  
**Blue High Temp Snapper Grommet With Washer**  
  
 A. N/A M. GR121  
 R. BR92321 W. 35368


**35246**  
**Black Snapper Grommet**  
  
 A. N/A M. GR118  
 R. BR92318 W. 35367

**35252**  
**Blue High Temp Snapper Grommet Without Washer**  
  
 A. N/A M. GR119  
 R. BR92319 W. N/A

**35255**  
**Red Snapper Grommet**  
  
 A. N/A M. GR120  
 R. BR92320 W. N/A


**16222**  
  
 1-1/4"  
 2-3/8"  
 A. 8537 M. FEH880  
 R. BR549 W. 35385

**16229**  
  
 1-1/4"  
 2-1/4"  
 A. N/A M. FEH546  
 R. BR546 W. 35120

**16228**  
  
 1-7/16"  
 2-3/8"  
 A. 8166 M. FEH554  
 R. BR554 W. 35352

**16210**  
  
 2"  
 2-25/32"  
 A. 8553 M. FEH124  
 R. BR538 W. 35088

**16269**  
  
 2-1/4"  
 3"  
 A. N/A M. FEH125  
 R. BR536 W. 35087

**16206**  
  
 2-3/8"  
 A. 8516 M. FEH556  
 R. BR556 W. 35042

**16209**  
  
 2-1/2"  
 13/16"  
 A. 8518 M. FEH337  
 R. BR659 W. 35123

**16207**  
  
 2-9/32"  
 A. 8515 M. FEH568  
 R. BR568 W. N/A

**16216**  
  
 2-1/2"  
 3/8" Hole  
 1-5/16"  
 A. 8233 M. TH1018B  
 R. BR91989 W. N/A

A. AP/GOERLICH'S; M. MARWIL; R. ROL; W. WALKER

**DESIGN MAKES THE DIFFERENCE**

[www.nickson.com](http://www.nickson.com)

# Rubber Insulators

**16223**

A. 8547 M. FEH400  
R. BR817 W. 35473

**16720**

A. N/A M. TPH425B  
R. BR425 W. 35212

**16273**

A. 8092 M. FEH1187  
R. BR91978 W. 35286

**16828**

A. 8180 M. FEH867  
R. BR867 W. 35725

**16827**

A. 8075 M. FEH941  
R. BR427 W. 35029

**16218**

A. 8137 M. FEH908  
R. BR400 W. 35460

**16219**

A. 8531 M. FEH560  
R. BR560 W. 35038

**16232**

A. N/A M. FEH939  
R. BR91995 W. N/A

**16704**

A. 8197 M. TPH363B  
R. BR836 W. 35707

**16270**

A. N/A M. TH1066B  
R. BR92062 W. 36221

**16271**

A. 8106 M. FEH1192  
R. BR91936 W. 35229

**16272**

A. 8066 M. TH1068B  
R. BR91988 W. N/A

**16211**

A. 8098 M. MR2093  
R. BR92093 W. N/A

**16806**

A. 8161 M. TPH863B  
R. BR863 W. 35259

**16246**

A. N/A M. N/A  
R. N/A W. N/A

A. AP/GOERLICH'S; M. MARWIL; R. ROL; W. WALKER

[www.nickson.com](http://www.nickson.com)

**DESIGN MAKES THE DIFFERENCE**

Please refer to our Master Catalog (EAC212) for our full line offering.

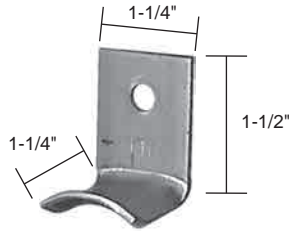
# Brackets

**26849**



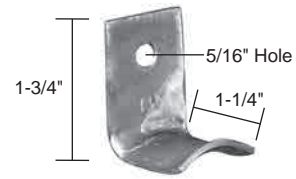
A. 8011 M. TPH1318B  
R. BR92074 W. 35262

**27153**



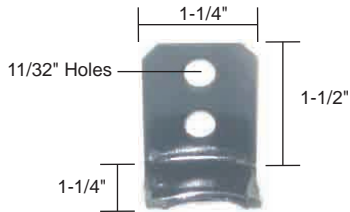
A. N/A M. TPH211BL  
R. BR92254 W. N/A

**27818**



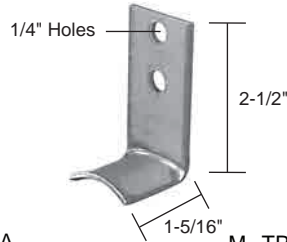
A. 8251 M. TPH71BL  
R. BR771 W. N/A

**27159**



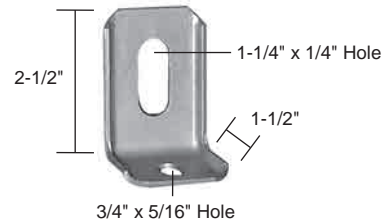
A. N/A M. TPH75B  
R. BR92255 W. N/A

**27148**



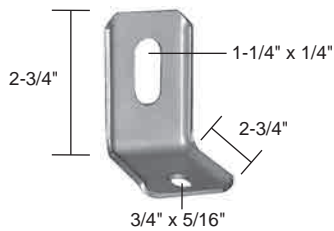
A. N/A M. TPH74B  
R. BR92244 W. N/A

**27142**



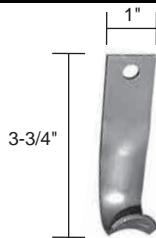
A. 339984 M. TPH102B  
R. BR755 W. 35024

**27143**



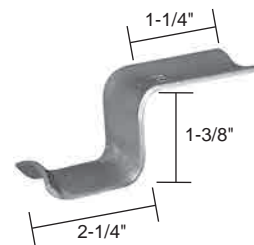
A. 339985 M. TPH101B  
R. BR855 W. 35003

**27164**



A. 339990 M. TPH85B  
R. BR754 W. N/A

**27166**



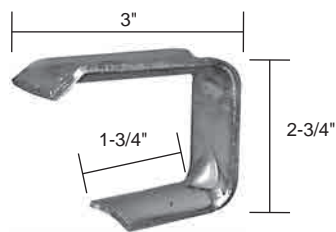
A. 8509 M. TPH131B  
R. BR129 W. 35175

**27510**



A. 9962 M. TPH209B  
R. BR378 W. 35090

**27822**



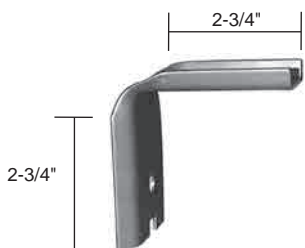
A. 8503 M. N/A  
R. BR202C W. 35045

**27861**



A. N/A M. TPH121B  
R. MB121 W. N/A

**27803**



A. 9961 M. TPH212B  
R. BR676 W. 35092

**27152**



A. N/A M. TPH52B  
R. BR92181 W. N/A

**27151**



A. 9971 M. TPH51B  
R. BR92171 W. 35099

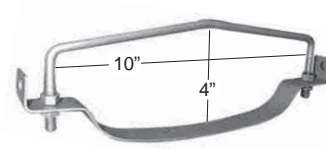
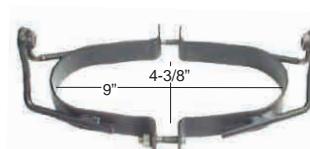


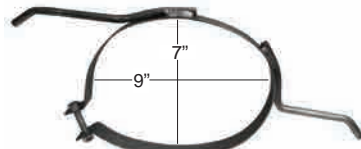


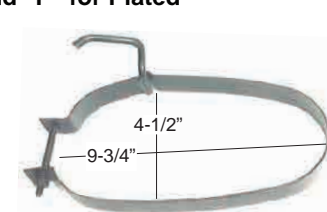
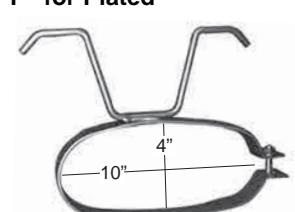
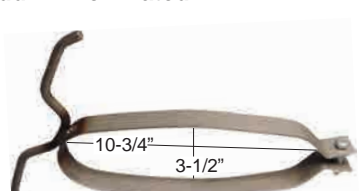
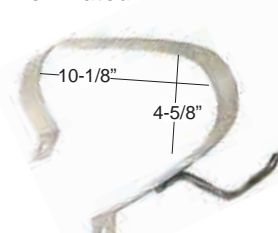
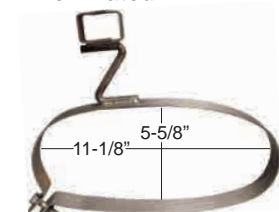


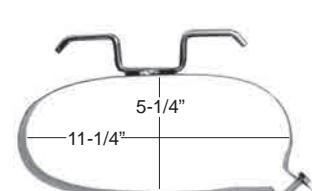
A. AP/GOERLICH'S; M. MARWIL; R. ROL; W. WALKER

**DESIGN MAKES THE DIFFERENCE**

[www.nickson.com](http://www.nickson.com)



# Muffler Straps

<p><b>20608</b></p> <p>Add "P" for Plated</p>  <p>A. 8067 R. BR92069</p> <p>M. TPH1317B W. N/A</p>	<p><b>20610</b></p> <p>Add "P" for Plated</p>  <p>A. N/A R. BR92036</p> <p>M. TPH1156B W. 35917</p>	<p><b>20856</b></p> <p>Add "P" for Plated</p>  <p>A. N/A R. BR92208</p> <p>M. TPH1023B W. 36234</p>
<p><b>20858</b></p> <p>Add "P" for Plated</p>  <p>A. 8055 R. BR92162</p> <p>M. TPH1015B W. N/A</p>	<p><b>20860</b></p> <p>Add "P" for Plated</p>  <p>A. 8022 R. N/A</p> <p>M. N/A W. N/A</p>	<p><b>20862</b></p> <p>Add "P" for Plated</p>  <p>A. N/A R. BR92173</p> <p>M. MSS2173 W. 35186</p>
<p><b>20233</b></p> <p>Add "P" for Plated</p>  <p>A. N/A R. BR92196</p> <p>M. BR92196 W. 36233</p>	<p><b>20708</b></p> <p>Add "P" for Plated</p>  <p>A. N/A R. BR91962</p> <p>M. TPH868B W. 35511</p>	<p><b>20714</b></p> <p>Add "P" for Plated</p>  <p>A. N/A R. N/A</p> <p>M. N/A W. N/A</p>
<p><b>20876</b></p> <p>Add "P" for Plated</p>  <p>A. 8017 R. BR92285</p> <p>M. MSS878 W. N/A</p>	<p><b>20877</b></p> <p>Add "P" for Plated</p>  <p>A. 8158 R. BR92230</p> <p>M. TPH1330B W. N/A</p>	<p><b>20273</b></p> <p>Add "P" for Plated</p>  <p>A. N/A R. BR92920</p> <p>M. TPH2920B W. 36375</p>
<p><b>20824</b></p> <p>Add "P" for Plated</p>  <p>A. N/A R. BR856</p> <p>M. TPH856B W. 35724</p>	<p><b>20843</b></p> <p>Add "P" for Plated</p>  <p>A. 8014 R. BR92192</p> <p>M. TPH1035B W. 36153</p>	<p><b>20844</b></p> <p>Add "P" for Plated</p>  <p>A. N/A R. BR92222</p> <p>M. TPH1327B W. 36163</p>

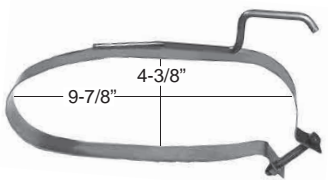
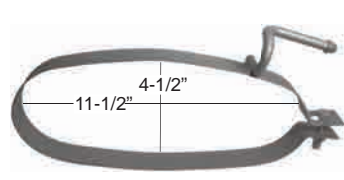
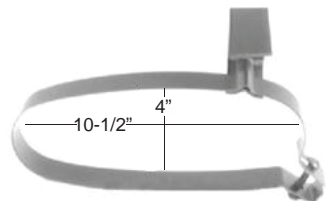
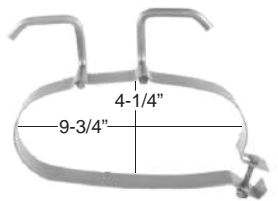
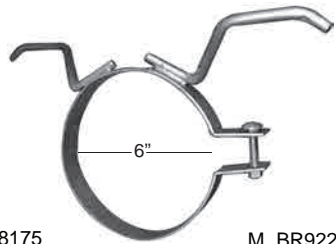
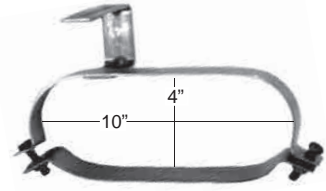
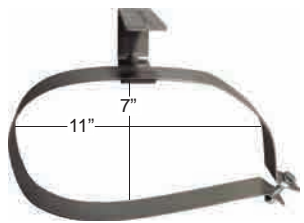
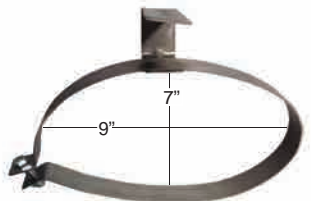
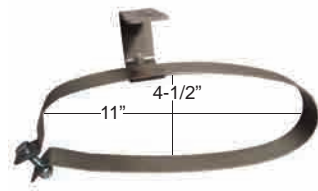
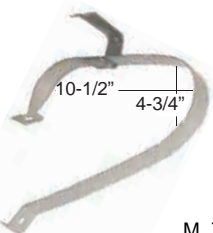
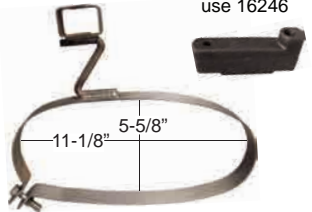


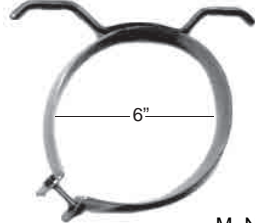
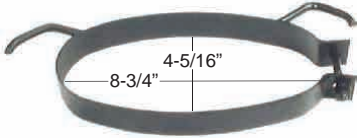
A. AP/GOERLICH'S; M. MARWIL; R. ROL; W. WALKER

[www.nickson.com](http://www.nickson.com)

**DESIGN MAKES  
THE DIFFERENCE**

Please refer to our Master Catalog (EAC212) for our full line offering.

# Muffler Straps

<p><b>20845</b></p> <p>Add "P" for Plated</p>  <p>A. 8054 M. TPH1328B R. BR92225 W. N/A</p>	<p><b>20847</b></p> <p>Add "P" for Plated</p>  <p>A. 8013 M. TPH2238B R. BR92238 W. 36360</p>	<p><b>20870</b></p> <p>Add "P" for Plated</p>  <p>A. 8062 M. TPH1003B R. BR92114 W. N/A</p>
<p><b>20878</b></p> <p>Add "P" for Plated</p>  <p>A. N/A M. TPH1000B R. BR92108 W. 36125</p>	<p><b>20238</b></p> <p>Add "P" for Plated</p>  <p>A. 8175 M. BR92202 R. BR92202 W. N/A</p>	<p><b>20839</b></p> <p>Add "P" for Plated</p>  <p>A. N/A M. TPH859B R. BR92090 W. 36372</p>
<p><b>20853</b></p> <p>Add "P" for Plated</p>  <p>A. N/A M. TPH2926B R. BR92926 W. N/A</p>	<p><b>20855</b></p> <p>Add "P" for Plated</p>  <p>A. N/A M. TPH2263B R. BR92263 W. 36376</p>	<p><b>20869</b></p> <p>Add "P" for Plated</p>  <p>A. 8057 M. TPH2925B R. BR92925 W. N/A</p>
<p><b>20875</b></p> <p>Add "P" for Plated</p>  <p>A. N/A M. TPH1331B R. BR92249 W. N/A</p>	<p><b>20273</b></p> <p>Add "P" for Plated For Rubber Insulator use 16246</p>  <p>A. N/A M. TPH2920B R. BR92920 W. 36375</p>	<p><b>20521</b></p> <p>304 Stainless Fits Oval Style Mufflers 9" to 11-1/2"</p>  <p>A. N/A M. N/A R. N/A W. N/A</p>
<p><b>20522</b> <b>522</b></p> <p>304 Stainless Fits Round Mufflers 6" to 8"</p>  <p>A. N/A M. N/A R. N/A W. N/A</p>	<p><b>20235</b> <b>235</b></p> <p>Add "P" for Plated</p>  <p>A. N/A M. N/A R. N/A W. N/A</p>	<p><b>20879</b> <b>20879</b></p> <p>Add "P" for Plated</p>  <p>A. N/A M. TH1086B R. BR91975 W. 35152</p>

A. AP/GOERLICH'S; M. MARWIL; R. ROL; W. WALKER

**DESIGN MAKES THE DIFFERENCE**

[www.nickson.com](http://www.nickson.com)

Please refer to our Master Catalog (EAC212) for our full line offering.



# Heat Risers, Flange Mounting Kits

**14004**  
**OEM # 3887024**  
**USES GASKET 13083**



A. 9886 M. HR024  
 R. HR101 W. N/A

**14005**  
**OEM # 3887034**  
**USES GASKET 13011**



A. N/A M. HR034  
 R. HR102 W. N/A

**14031**  
**USES GASKET 13083**



A. N/A M. HR024B  
 R. HR151 W. N/A

**14032**  
**USES GASKET 13011**



A. N/A M. HR034B  
 R. HR152 W. N/A

**18194**



2 ea. 12561 2 ea. 12734  
 2 ea. 12153 M. FMK423  
 A. 4678 R. ES423 W. 35908

**18203**



2 ea. 12321 2 ea. 12324  
 2-3/8" Flange 15109  
 1 ea. 2 ea. 12325  
**10mm x 1.50P**  
 A. N/A M. FMK499  
 R. ES499 W. N/A

**18536**



2 ea. 12321 2 ea. 12324  
 2 ea. 12156 **10mm x 1.50P**  
 A. N/A M. FMK451  
 R. ES481 W. N/A

**18201**



1 ea. 13743 2 ea. 12321 2 ea. 12324  
 2-3/8" Flange 15109  
 1 ea. 2 ea. 12325  
**10mm x 1.50P**  
 A. N/A M. FMK498  
 R. ES498 W. 35455

**18316**



2 ea. 12321 2 ea. 12324  
 2 ea. 12325 **10mm x 1.50P**  
 A. 4973 M. FMK927  
 R. ES510 W. 36129

**18310**



2 ea. 12156 3 ea. 12734  
 2 ea. 12562 **CAUTION: 10mm x 1.50P**  
 A. 4970 M. FMK441  
 R. ES441 W. N/A

**18309**



3 ea. 12106 3 ea. 12370  
 3 ea. 12361 **CAUTION: 10mm x 1.50P**  
 A. 8038 M. FMK925  
 R. ES506 W. 36463

**18318**



1 ea. 13841 3 ea. 12370  
 3 ea. 12161 3 ea. 12361  
**10mm x 1.50P**  
 A. N/A M. FMK951  
 R. ES524 W. N/A

**18534**



3 ea. 12106 3 ea. 12370  
 3 ea. 12360 **CAUTION: 3/8" USS/UNC**  
 A. N/A M. FMK932  
 R. ES516 W. N/A

**18317**



2 ea. 12371 2 ea. 12322  
 2 ea. 12153 **8mm x 1.25P**  
 A. 4682 M. FMK491  
 R. ES491 W. 35129

**18202**



1 ea. 13807 2 ea. 12321  
 2 ea. 12325 2 ea. 12324  
 2-9/16" Flange 15104  
 1 ea. **10mm x 1.50P**  
 A. N/A M. FMK923  
 R. ES504 W. 36128

A. AP/GOERLICH'S; M. MARWIL; R. ROL; W. WALKER

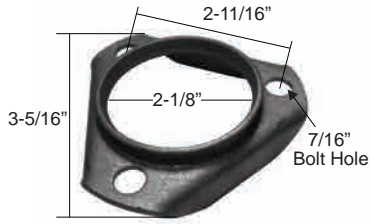
[www.nickson.com](http://www.nickson.com)

**DESIGN MAKES THE DIFFERENCE**

Please refer to our Master Catalog (EAC212) for our full line offering.

# Flanges

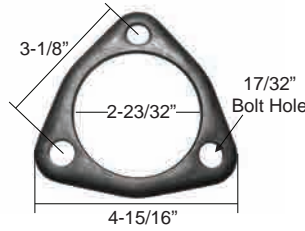
**15002**



A. 8780 M. SF012  
R. SF67012 W. 31803

OEM STYLE 1

**15017**



A. 8787 M. SF060  
R. SF67059 W. 31866

OEM STYLE 2

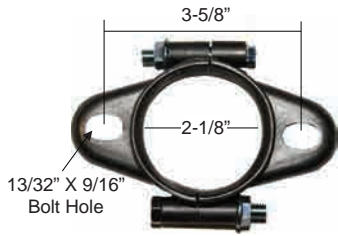
**15020S**



A. N/A M. SF139  
R. SF67077 W. N/A

OEM STYLE 3

**15101**



A. 9171 M. F100B  
R. SF36084 W. 36132

OEM STYLE 3

**15022**



A. 8786 M. SF087  
R. SF67087 W. N/A

OEM STYLE 3

**15035**



A. 9162 M. SF915  
R. SF67112 W. 31928

OEM STYLE 3

**15014**



A. 8792 M. SF055  
R. SF67055 W. 31865

OEM STYLE 3

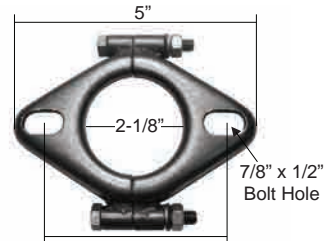
**15005**



A. N/A M. SF100  
R. SF67020 W. 31802

OEM STYLE 4

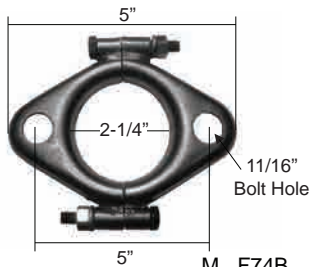
**15105**



A. N/A M. F107B  
R. SF36101 W. N/A

OEM STYLE 5

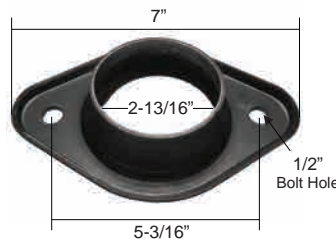
**15109**



A. 9170 M. F74B  
R. SF36077 W. N/A

OEM STYLE 5

**15127**



A. N/A M. SF279  
R. SF36118 W. N/A

OEM STYLE 5

**15903**

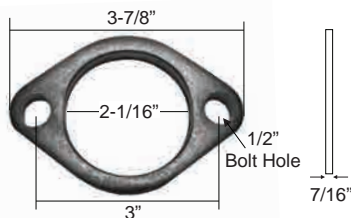
**02 Sensor Flange**



A. 4753 M. N/A  
R. N/A W. N/A

OEM STYLE 7

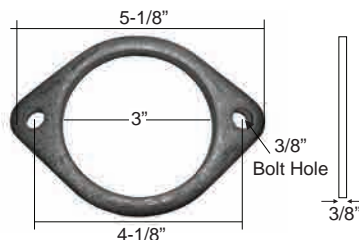
**15023**



A. 9184 M. SF033  
R. SF68033 W. 31650

OEM STYLE 7

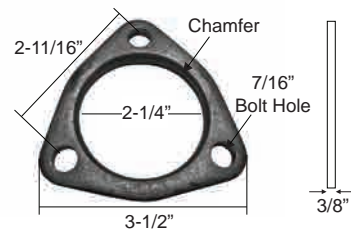
**15059**



A. N/A M. SF199  
R. SF199 W. N/A

OEM STYLE 7

**15058**



A. N/A M. SF147  
R. SF68055 W. 31690

OEM STYLE 9

A. AP/GOERLICH'S; M. MARWIL; R. ROL; W. WALKER

**DESIGN MAKES THE DIFFERENCE**

[www.nickson.com](http://www.nickson.com)

Please refer to our Master Catalog (EAC212) for our full line offering.

# Flanges

<p><b>15126</b></p> <p>A. N/A R. SF56323</p> <p>M. SF047 W. N/A</p>	<p><b>15327</b></p> <p>A. 9158S R. SF56028</p> <p>M. SF028 W. 31876</p>	<p><b>15509</b></p> <p>A. 8799 R. SF56240</p> <p>M. SF951 W. N/A</p>
<p><b>15051</b></p> <p>A. N/A R. SF150602</p> <p>M. SF150602 W. N/A</p>	<p><b>15057</b></p> <p>A. N/A R. SF66254</p> <p>M. SF164 W. N/A</p>	<p><b>15501</b></p> <p>A. 8034 R. SF56073</p> <p>M. SF064 W. 31919</p>
<p><b>15025</b></p> <p>A. 8032 R. SF68064</p> <p>M. SF864 W. N/A</p>	<p><b>15047</b></p> <p>A. N/A R. N/A</p> <p>M. N/A W. N/A</p>	<p><b>15330</b></p> <p>A. N/A R. SF56242</p> <p>M. SF782 W. N/A</p>
<p><b>15050</b></p> <p>A. N/A R. SF15600</p> <p>M. SF15600 W. N/A</p>	<p><b>15052</b></p> <p>A. N/A R. SF190601</p> <p>M. SF190601 W. N/A</p>	<p><b>15512</b></p> <p>A. N/A R. SF56178</p> <p>M. SF004 W. N/A</p>
<p><b>15320</b></p> <p>A. 9153S R. SF67004</p> <p>M. SF300 W. N/A</p>	<p><b>15321</b></p> <p>A. 9175 R. SF56071</p> <p>M. SF302 W. N/A</p>	<p><b>15485</b></p> <p>A. 9179 R. SF66054</p> <p>M. SF166 W. 31946</p>

A. AP/GOERLICH'S; M. MARWIL; R. ROL; W. WALKER

[www.nickson.com](http://www.nickson.com)

**DESIGN MAKES  
THE DIFFERENCE**

Please refer to our Master Catalog (EAC212) for our full line offering.



<p><b>15130</b></p> <p>A. 9176 M. SF881 R. SF56072 W. 31880</p>	<p><b>15322</b></p> <p>A. 9181 M. SF006A R. SF67006 W. N/A</p>	<p><b>15498</b></p> <p>A. N/A M. SF772 R. SF68049 W. N/A</p>
<p><b>15488</b></p> <p>A. N/A M. SF006 R. SF56305 W. N/A</p>	<p><b>15484</b></p> <p>A. 9159 M. SF306 R. SF69096 W. 31897</p>	<p><b>15492</b></p> <p>A. 9155S M. SF007 R. SF67007 W. 31879</p>
<p><b>15323</b></p> <p>A. N/A M. N/A R. N/A W. N/A</p>	<p><b>15132</b></p> <p>A. N/A M. SF773 R. SF66195 W. N/A</p>	<p><b>15489</b></p> <p>A. N/A M. N/A R. N/A W. N/A</p>
<p><b>15131</b></p> <p>A. N/A M. SF177 R. SF66044 W. N/A</p>	<p><b>15496</b></p> <p>A. 9156S M. SF015 R. SF67008 W. 31878</p>	<p><b>15500</b></p> <p>A. N/A M. SF008 R. SF56063 W. N/A</p>
<p><b>15325</b></p> <p>A. N/A M. N/A R. N/A W. N/A</p>	<p><b>15134</b></p> <p>A. N/A M. SF188 R. SF66045 W. N/A</p>	<p><b>15353</b></p> <p>A. N/A M. SF771 R. SF66209 W. N/A</p>

A. AP/GOERLICH'S; M. MARWIL; R. ROL; W. WALKER



# Flanges

<p><b>15506</b></p> <p>A. 15506 R. SF38009</p> <p>M. SF009 W. N/A</p>	<p><b>15069</b></p> <p>A. N/A R. SF56307</p> <p>M. SF967 W. N/A</p>	<p><b>15024</b></p> <p>A. 9143 R. SF68043</p> <p>M. SF043 W. N/A</p>
<p><b>15505</b></p> <p>A. N/A R. SF68041</p> <p>M. SF133 W. N/A</p>	<p><b>15326</b></p> <p>A. 9152S R. SF69083</p> <p>M. SF003 W. 31877</p>	<p><b>15092</b></p> <p>A. 9177 R. SF56111</p> <p>M. SF322 W. N/A</p>
<p><b>15055</b></p> <p>A. N/A R. SF002</p> <p>M. SF002 W. N/A</p>	<p><b>15503</b></p> <p>A. N/A R. SF66239</p> <p>M. SF239 W. N/A</p>	<p><b>15389</b></p> <p>A. 9178 R. SF56170</p> <p>M. SF285 W. N/A</p>
<p><b>15397</b></p> <p>A. N/A R. SF66211</p> <p>M. SF211 W. N/A</p>	<p><b>15390</b></p> <p>A. 9180 R. SF66193</p> <p>M. SF942 W. N/A</p>	<p><b>15334</b></p> <p>A. 8033 R. SF56152</p> <p>M. SF781 W. N/A</p>
<p><b>15351</b></p> <p>A. N/A R. SF090601</p> <p>M. SF090601 W. N/A</p>	<p><b>15350</b></p> <p>A. N/A R. SF56151</p> <p>M. SF781NH W. N/A</p>	<p><b>15331</b></p> <p>A. N/A R. SF56782NH</p> <p>M. SF782NH W. N/A</p>

A. AP/GOERLICH'S; M. MARWIL; R. ROL; W. WALKER

[www.nickson.com](http://www.nickson.com)

**DESIGN MAKES THE DIFFERENCE**

Please refer to our Master Catalog (EAC212) for our full line offering.

# Specialty Products

## CLAMP A STUD

ni Number	Item Number	Size	R.	M.	Qty.
17350	17350	1/4" - 1-3/4"	N/A	N/A	10
17351	17351	1-1/4" - 2-3/4"	N/A	N/A	10
17352	17352	2-1/4" - 3-3/4"	N/A	N/A	10



**THE  
CLAMP-A-STUD  
IS NOT A  
TEMPORARY  
CLAMP!  
IT'S MADE OF  
FORGED  
STEEL**



## MUFFLER CEMENT

ni Number	Item Number	Size	R.	M.	Qty.
42016	14201	16oz	CEM016	MCS	1
42006	14202	6oz	CEM006	MCD	1

42016  
16oz



42006  
6oz

## PIPE HOOKS

ni Number	Item Number	Size	R.	M.	Qty.
54397	54397	Pipe Size Under 3"	FW231	TPH231B	50
54398	54398	Pipe Size 3"	FW242	TPH242B	50



Under 3" Pipe

54397



3" Pipe

54398

R. ROL; M. MARWIL

**DESIGN MAKES  
THE DIFFERENCE**

[www.nickson.com](http://www.nickson.com)

## HEXAGON BOLTS

ni Number	Size	Thread Type	Grade	Thread Length	R.	M.	Qty.
12041	1/4 x 3/4	Coarse	2	Full	H298	CS298	100
12043	1/4 x 3/4	Coarse	5	Full	H110	CS110	100
12042	1/4 x 1	Coarse	2	Full	H299	CS140X100	100
12034	1/4 x 1-1/2	Coarse	5	Standard	H112	CS112	100
12023	1/4 x 1-1/2	Coarse	2	Standard	H300	CS140X112	100
12019	1/4 x 2	Coarse	2	Standard	H324	CS324	100
12021	1/4 x 3	Coarse	2	Standard	H384	CS384	100
12001	5/16 x 3/4	Coarse	2	Full	H302	CS516X034	100
12121	5/16 x 3/4	Coarse	5	Standard	H113	CS516X034GR5	100
12002	5/16 x 1	Coarse	2	Full	H146	CS516X100	100
12100	5/16 x 1	Coarse	5	Full	H114	CS114	100
12115	5/16 x 1-1/4	Coarse	2	Standard	H147	CS516X114	100
12018	5/16 x 1-1/4	Coarse	2	Full	N/A	N/A	100
12045	5/16 x 1-1/4	Coarse	5	Full	H115	CS115	100
12003	5/16 x 1-1/2	Coarse	2	Full	H237	CS516X112	100
12114	5/16 x 1-1/2	Coarse	2	Standard	H148	CS148	100
12116	5/16 x 1-1/2	Coarse	5	Standard	H116	CS516X112GR5	100
12022	5/16 x 1-3/4	Coarse	2	Standard	H309	CS516X134	100
12117	5/16 x 2	Coarse	2	Standard	H285	CS285	100
12004	5/16 x 2	Coarse	2	Full	H240	CS516X200	100
12035	5/16 x 2	Coarse	5	Standard	H117	CS516X200GR5	100
12005	5/16 x 2-1/2	Coarse	2	Standard	H310	CS516X212	100
12172	5/16 x 2-1/2	Coarse	5	Standard	H311	CS516X212GR5	100
12024	5/16 x 3	Coarse	2	Standard	H222	CS222	50
12308	5/16 x 3	Coarse	2	Full	H249	CS516X300	50
12025	5/16 x 3-1/2	Coarse	2	Standard	H386	CS386	50
12026	5/16 x 4	Coarse	2	Standard	H418	CS516X400	50
12006	3/8 x 1	Coarse	2	Full	H149	CS380X100	100
12046	3/8 x 1	Coarse	5	Full	H118	CS118	100
12118	3/8 x 1-1/4	Coarse	2	Standard	H150	CS380X114	100
12017	3/8 x 1-1/4	Coarse	2	Full	N/A	N/A	100
12170	3/8 x 1-1/4	Coarse	5	Standard	H119	CS380X114GR5	100
12328	3/8 x 1-1/2	Coarse	2	Standard	H151	CS151	100
12007	3/8 x 1-1/2	Coarse	5	Standard	H120	CS380X112GR5	100
12020	3/8 x 1-1/2	Coarse	2	Full	H246	CS380X112	100
12027	3/8 x 1-3/4	Coarse	2	Standard	H301	CS380X134	100
12119	3/8 x 2	Coarse	2	Standard	H152	CS152	50
12036	3/8 x 2	Coarse	5	Standard	H121	CS380X200GR5	50
12008	3/8 x 2	Coarse	2	Full	H234	CS380X200	100
12064	3/8 x 2-1/4	Coarse	2	Full	H235	CS380X214	50
12122	3/8 x 2-1/4	Coarse	2	Standard	H307	CS307	50
12082	3/8 x 2-1/4	Coarse	5	Standard	H399	CS380X214GR5	50
12125	3/8 x 2-1/2	Coarse	2	Standard	H153	CS380X212050	50
12009	3/8 x 2-1/2	Coarse	2	Full	H205	CS380X212	50
12010	3/8 x 3	Coarse	2	Full	H247	CS380X300	50
12120	3/8 x 3	Coarse	2	Standard	H308	CS308	50
12011	3/8 x 3-1/2	Coarse	2	Standard	H154	CS380X312	50
12028	3/8 x 4	Coarse	2	Standard	H325	CS325	25
12012	7/16 x 1	Coarse	2	Full	H155	CS716X100	50
12047	7/16 x 1	Coarse	5	Full	H125	CS125	50
12013	7/16 x 1-1/2	Coarse	2	Full	H156	CS716X112	50
12037	7/16 x 1-1/2	Coarse	5	Standard	H126	CS126	50
12014	7/16 x 1-3/4	Coarse	2	Full	N/A	N/A	100
12015	7/16 x 2	Coarse	2	Standard	H157	CS716X200	50
12038	7/16 x 2	Coarse	5	Standard	H127	CS127	50
12029	7/16 x 2-1/2	Coarse	2	Standard	H228	CS716X212	50
12039	7/16 x 2-1/2	Coarse	5	Standard	H313	CS313	50
12063	7/16 x 3	Coarse	2	Standard	H327	CS716X300	25
12040	1/2 x 2	Coarse	5	Standard	H338	CS120X200GR5	25



R. ROL; M. MARWIL

[www.nickson.com](http://www.nickson.com)

**DESIGN MAKES THE DIFFERENCE**

Please refer to our Master Catalog (EAC212) for our full line offering.

## METRIC HEXAGON BOLTS

ni Number	Size	Thread Pitch	Grade	Thread Length	R.	M.	Qty.
12062	6mm x 15mm	1.00P	2	Full	H226	CS6X20	100
12060	6mm x 18mm	1.00P	2	Full	H200	CS6X12	100
12083	6mm x 30mm	1.00P	2	Full	N/A	CS6X30	100
12048	6mm x 43mm	1.25P	2	Full	H225	CS225	100
12049	8mm x 16mm	1.25P	2	Full	H224	CS224	100
12050	8mm x 20mm	1.25P	2	Full	H250	CS8X20	100
12053	8mm x 25mm	1.25P	2	Full	H229	CS8X25	100
12054	8mm x 30mm	1.25P	2	Full	N/A	N/A	100
12055	8mm x 40mm	1.25P	2	Full	H283	CS8X40	100
12030	8mm x 75mm	1.25P	2	Standard	H398	CS8X76	100
12051	10mm x 20mm	1.25P	2	Full	H337	CS337	100
12065	10mm x 20mm	1.50P	2	Full	H352	CS10X20C	100
12066	10mm x 25mm	1.00P	2	Full	H350	CS10X25	100
12067	10mm x 25mm	1.25P	2	Full	H349	CS10X30F	100
12068	10mm x 25mm	1.50P	2	Full	H340	CS340	100
12069	10mm x 30mm	1.25P	2	Full	H354	CS10X30	100
12056	10mm x 35mm	1.25P	2	Full	N/A	N/A	100
12070	10mm x 40mm	1.50P	2	Full	H353	CS10X40	100
12031	10mm x 50mm	1.25P	2	Standard	H421	CS10X40F	100
12057	10mm x 50mm	1.50P	2	Standard	H387	CS387	50
12032	10mm x 70mm	1.25P	2	Standard	H547	CS547	10
12033	10mm x 75mm	1.25P	2	Standard	H510	CS10X76	50



## HEXAGON NUTS

ni Number	Size	Thread Type	Style	Description	R.	M.	Qty.
12072	1/4"	Coarse	STANDARD		H100	HN140C	100
12123	1/4"	Fine	STANDARD		H105	HN140F	100
12101	5/16"	Coarse	STANDARD		H101	HN516C	100
12111	5/16"	Coarse	FLANGE	SERRATED	H201	FN516S	100
12102	5/16"	Fine	STANDARD		H106	HN516F	100
12074	5/16" x 7/16"	Coarse	FLANGE		H198	FN516H	100
12124	5/16" x 9/16"	Coarse	SPECIAL	USES 9/16" WRENCH	H203	HN203	100
12103	3/8"	Coarse	STANDARD		H102	HN380C	100
12113	3/8"	Coarse	FLANGE		H202	FN380	100
12106	3/8"	Coarse	FLANGE	SERRATED	H367	FN380S	100
12104	3/8"	Fine	STANDARD		H107	HN380F	100
12107	7/16"	Coarse	STANDARD	USES 11/16" WRENCH	H103	HN716C	50
12108	7/16"	Fine	STANDARD	USES 11/16" WRENCH	H108	HN716F	50
12207	7/16" x 5/8"	Coarse	SPECIAL	USES 5/8" WRENCH	H204	HN716X580	100
12110	1/2"	Coarse	STANDARD		H104	HN120C	50
12073	1"	Coarse	STANDARD		H415	HN415	50



## METRIC HEXAGON NUTS

ni Number	Size	Thread Pitch	Style	Application	R.	M.	Qty.
12061	6mm	1.00P	STANDARD		H206	NT6X100MT	100
12153	8mm	1.25P	STANDARD		H207	NT8X125MT	100
12152	8mm	1.25P	FLANGE		H454	NT8X125FN	100
12075	10mm	1.00P	STANDARD		H358	HN358	100
12154	10mm	1.25P	STANDARD	Honda, Toyota	H209	NT10X125MT	100
12162	10mm	1.25P	FLANGE	Honda, Toyota	N/A	N/A	100
12156	10mm	1.50P	STANDARD		H208	NT10X150MT	100
12161	10mm	1.50P	FLANGE		H446	NT10X150FN	100
12159	12mm	1.25P	STANDARD		H356	NT12X125MT	100
12076	12mm	1.50P	STANDARD		H357	HN357	100

R. ROL; M. MARWIL

**DESIGN MAKES THE DIFFERENCE**

[www.nickson.com](http://www.nickson.com)



## BRASS HEXAGON NUTS

ni Number	Size	Thread Type	Style	R.	M.	Qty.
12105	3/8"	Coarse	STANDARD	H315	BRN380C	50
12097	3/8" x 5/8"	Coarse	HIGH STYLE	H524	BRN380X625	10
12317	7/16"	Coarse	STANDARD	H339	BRN716B/C	50
12109	7/16" x 5/8"	Coarse	HIGH STYLE	H567	BRN716X625	10



## STANDARD MANIFOLD STUDS

ni Number	Size	Thread Type	Application	Description	R.	M.	Qty.
12300	3/8 x 2"	Coarse	GM	W/O FINDERS	H560	MS38200	50
12306	3/8 x 2-1/4"	Coarse	FORD	W/O FINDERS	H191	MS38224	100
12301	3/8 x 2-1/2"	Coarse	GM	W/FINDERS	H561	MS38225	50
12360	3/8 x 2-27/32"	Coarse	GM	W/FINDERS	H528	FMK943	10
12310	3/8 x 3"	Coarse	GM	W/FINDERS	H562	MS38325	50
12307	3/8 x 3-1/4"	Coarse	GM	W/O FINDERS	H211	MS38314	50
12302	3/8 x 3-1/2"	Coarse	CHRYSLER	W/FINDERS	H233	MS38350	50
12311	3/8 x 3-13/16"	Coarse	GM	W/FINDERS	H531	FMK944	10
12312	3/8 x 4"	Coarse	FORD	W/O FINDERS	H429	S429	50
12313	3/8 x 4-13/32"	Coarse	GM	W/FINDERS	H532	FMK945	10
12314	7/16 x 1-5/8"	Coarse	FORD	W/O FINDERS	H213	MS716158	100
12303	7/16 x 2"	Coarse	FORD	W/O FINDERS	H190	S190	100
12349	7/16 x 2-3/8"	Coarse	FORD	W/FINDERS	H563	MS716200	50
12304	7/16 x 2-1/2"	Coarse	FORD	W/O FINDERS	H564	MS716250	50
12315	7/16 x 3"	Coarse	FORD	W/O FINDERS	H569	MS716300	10, 50
12316	7/16 x 3-1/2"	Coarse	FORD	W/O FINDERS	H570	MS716350	10, 50
12305	7/16 x 4"	Coarse	FORD	W/O FINDERS	H195	MS716400	100



## METRIC MANIFOLD STUDS

ni Number	Size	Thread Pitch	Application	Description	R.	M.	Qty.
12353	8mm x 43 mm	1.25P	Nissan / VW	W/O FINDERS	H197	MS8125	100
12356	10mm x 43mm	1.25P	Honda / VW	W/O FINDERS	H210	MS101254	100
12385	10mm x 50mm	1.50P	Pinto/Capri	W/O FINDERS	H212	MS10150	100
12361	10mm x 76mm	1.50P	GM	W/FINDERS	H516	FMK935	10
12318	10mm x 100mm	1.50P	GM	W/FINDERS	H445	FMK916	10
12358	12mm x 50mm	1.25P	Universal	W/O FINDERS	H365	MS12125	50



## METRIC SHOULDER BOLTS

ni Number	Size	Thread Pitch	Application	R.	M.	Qty.
12322	8mm x 64.5mm	1.25P	HONDA	H450	FMK920	10
12561	8mm x 75mm	1.25P	CHRYSLER	H444	FMK915	10
12562	10mm x 70mm	1.50P	GM	H443	FMK914	10



## HEXAGON SELF-TAPPING SCREWS

ni Number	Size	R.	M.	Qty.
12201	5/16 x 1	H170	ST516X100	100
12202	5/16 x 1-1/4	H171	ST516X114	100
12203	5/16 x 1-1/2	H172	ST516X112	100
12204	3/8 x 1	H173	ST380X100	100
12205	3/8 x 1-1/2	H174	ST380X112	100



R. ROL; M. MARWIL

[www.nickson.com](http://www.nickson.com)

**DESIGN MAKES  
THE DIFFERENCE**

Please refer to our Master Catalog (EAC212) for our full line offering.

# Hardware

## HEXAGON THREAD CUTTING SCREWS

ni Number	Size	R.	M.	Qty.
12329	5/16 x 1/2	H238	TCS238	100
12171	5/16 x 1	H239	TCS239	100
12330	3/8 x 1	H513	TCS513	25



## SPRING LOCK WASHERS

ni Number	Size	R.	M.	Qty.
12466	1/4"	H175	LW140	100
12461	5/16"	H176	LW516	100
12462	3/8"	H177	LW380	100
12463	7/16"	H178	LW176	100
12080	1/2"	H179	LW120	100



## COTTER PINS

ni Number	Size		R.	M.	Qty.
	Diameter	Length			
12081	3/32"	3/32 X 1-1/4"	H503	CP2X22	100
12501	1/8"	1/8" X 1"	H500	CP18X1	100
12502	1/8"	1/8" X 1-1/2"	H501	CP18X112	100
12503	1/8"	1/8" X 2-1/2"	H502	CP18X212	100
12504	3/16"	3/16 X 2-1/2"	H504	CP316X212	100



## FLAT WASHERS

ni Number	Size	Hole Size		Class	R.	M.	Qty.
		ID.	OD.				
12400	1/4"	5/16"	3/4"	PLATE (USS)	H180	WA180	100
12402	1/4"	5/16"	1-1/2"	FENDER	N/A	N/A	100
12078	1/4"	9/32"	5/8"	SAE	H214	PW014X625	100
12431	5/16"	3/8"	7/8"	PLATE (USS)	H181	PW516X087	100
12432	5/16"	11/32"	11/16"	SAE	H215	PW516X068	100
12401	5/16"	3/8"	1-1/4"	FENDER	H182	FW516X114	100
12433	3/8"	7/16"	1"	PLATE (USS)	H184	PW380X100	100
12403	3/8"	7/16"	1-1/4"	PLATE (USS)	H568	FW380X114	100
12434	3/8"	13/32"	13/16"	SAE	H216	PW380X081	100
12405	3/8"	7/16"	1-1/2"	FENDER	H183	FW380X112	100
12435	7/16"	1/2"	1-1/4"	PLATE (USS)	H185	PW716X114	100
12436	7/16"	15/32"	15/16"	SAE	H217	PW716X094	100
12077	1/2"	9/16"	1-3/8"	PLATE (USS)	H186	PW012X138	100
12079	1/2"	17/32"	1-1/16"	SAE	H218	WA218	100



## O2 SENSOR

ni Number	Thread	Style	Style	R.	M.	Qty.
5512125	12mm X 1.25p	Nut		OSN12x125	OSN12x125	5
5518150	18mm X 1.5p	Nut		OSN18x150	OSN18x150	5, 100
5518150SS	18mm X 1.5p	Nut	Stainless Steel	OSN18x150SS	OSN18x150SS	5
5518150A	18mm X 1.5p	Angle Nut		OSN18x150X45	OSN18x150X45	5
5518150ASS	18mm X 1.5p	Angle Nut	Stainless Steel	N/A	N/A	5
5518150R	18mm X 1.5p	Nut Recessed		OSN18x150R	OSN18x150R	5
5518150RSS	18mm X 1.5p	Nut Recessed	Stainless Steel	N/A	N/A	5
5718150	18mm X 1.5p	Plug		OSP18x150H	OSP18x150H	5, 100



O2 Sensor Flange  
Fits Toyota, Chrysler  
and Most Imports

R. ROL; M. MARWIL

**DESIGN MAKES  
THE DIFFERENCE**

[www.nickson.com](http://www.nickson.com)

# Exhaust Gaskets "Top 100"

<p><b>13783</b> ACURA, BMW, GM, HONDA, MAZDA, SUZUKI</p>	<p><b>13737</b> GM, SUBARU</p>	<p><b>13759</b> AMC, GM, GM TRUCK</p>	<p><b>13800</b> FORD, MAZDA</p>
<p><b>13843</b> ACURA, HONDA, ISUZU</p>	<p><b>13738</b> ACURA, CHRYSLER, GM</p>	<p><b>13743</b> FORD</p>	<p><b>13742</b> CHRYSLER</p>
<p><b>13675</b> ACURA, GM, GM TRUCK</p>	<p><b>13916</b> GM, SUBARU</p>	<p><b>13807</b> FORD, MAZDA</p>	<p><b>13847</b> CHRYSLER, VOLVO</p>
<p><b>13015</b> ALFA ROMEO, GM, GM TRUCK</p>	<p><b>13017</b> GM, FORD, VOLVO</p>	<p><b>13110</b> GM, FORD, VOLVO</p>	<p><b>13070</b> FORD TRUCK</p>
<p><b>13111</b> FORD TRUCK</p>	<p><b>13057</b> GM</p>	<p><b>13109</b> GM</p>	<p><b>13578</b> HONDA, TOYOTA</p>

# Exhaust Gaskets "Top 100"

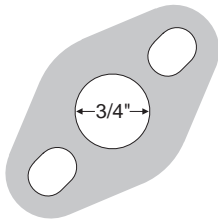
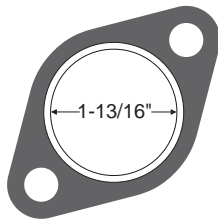
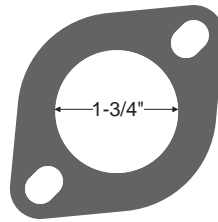
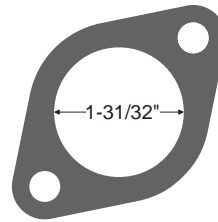
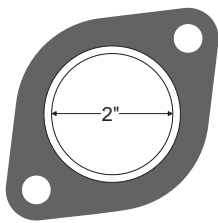
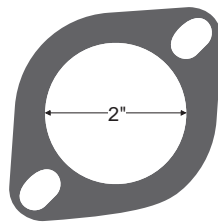
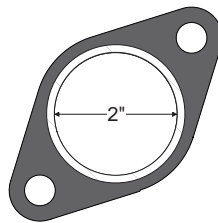
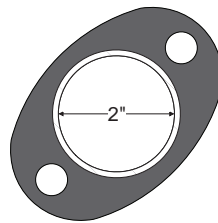
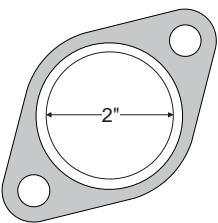
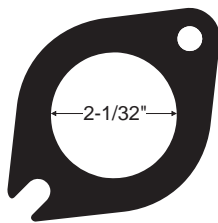
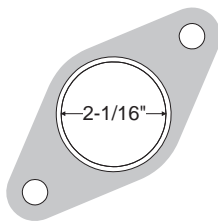
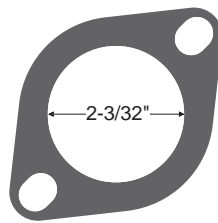
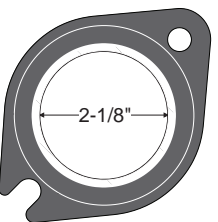
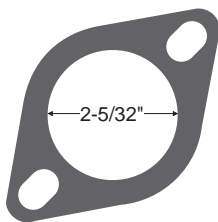
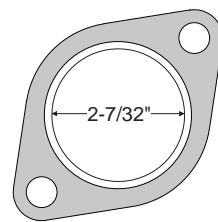
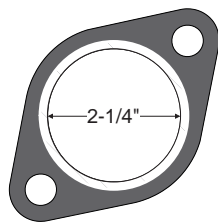
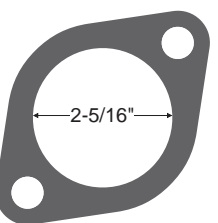
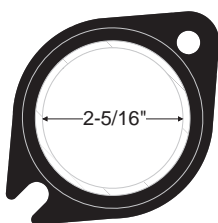
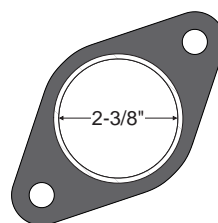
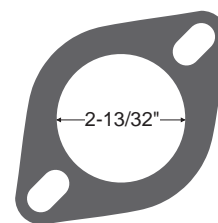
<p><b>13574</b> ACURA, GEO, GM, HONDA, ISUZU, TOYOTA</p> <p>3/16" 1-13/16"</p>	<p><b>13585</b> TOYOTA</p> <p>3/16" 1-7/8"</p>	<p><b>13584</b> AUDI, GEO, GM, MAZDA, SUZUKI, TOYOTA</p> <p>3/16" 13584 1-31/32"</p>	<p><b>13615</b> TOYOTA</p> <p>3/16" 2"</p>
<p><b>13923</b> GM, HONDA, ISUZU</p> <p>3/16" 2-1/32"</p>	<p><b>13328</b> GM TRUCK, ISUZU</p> <p>3/16" 2-5/32"</p>	<p><b>13509</b> GEO, GM, KIA, MAZDA, TOYOTA</p> <p>1/8" 2-3/16"</p>	<p><b>13612</b> TOYOTA</p> <p>3/16" 2-11/32"</p>
<p><b>13613</b> LEXUS, TOYOTA</p> <p>3/16" 2-19/32"</p>	<p><b>13832</b> LEXUS, TOYOTA</p> <p>3/16" 2-3/4"</p>	<p><b>13323</b> GM TRUCK</p> <p>5/32" 2-13/16"</p>	<p><b>13338</b> AUDI, GM, SATURN</p> <p>3/16" 3"</p>
<p><b>13648</b> ACURA, FORD, HONDA, INFINITI, MAZDA, NISSAN</p> <p>3/16" 1-13/16"</p>	<p><b>13758</b> ACURA, HONDA, STERLING</p> <p>3/16" 2"</p>	<p><b>13659</b> ACURA, HONDA, INFINITI, ISUZU, NISSAN</p> <p>5/32" 2-3/32"</p>	<p><b>13981</b> ACURA, INFINITI, NISSAN, SUBARU</p> <p>5/32" 2-5/32"</p>
<p><b>13907</b> ACURA, HONDA, INFINITI, NISSAN</p> <p>5/32" 2-7/32"</p>	<p><b>13594</b> ACURA, HONDA, NISSAN</p> <p>7/32" 2-13/32"</p>	<p><b>13332</b> CADILLAC, GM, FORD, SATURN</p> <p>5/32" 2-13/16"</p>	<p><b>13329</b> GM, GM TRUCK, HONDA</p> <p>3/16" 2-15/16"</p>

**DESIGN MAKES  
THE DIFFERENCE**

[www.nickson.com](http://www.nickson.com)



# Exhaust Gaskets "Top 100"

<p><b>13185</b> TOYOTA</p>  <p>3/4"</p>	<p><b>13028</b> FORD, VOLVO</p>  <p>1-13/16"</p>	<p><b>13001</b> UNIVERSAL</p>  <p>1-3/4"</p>	<p><b>13022</b> CHRYSLER</p>  <p>1-31/32"</p>
<p><b>13597</b> NISSAN</p>  <p>2"</p>	<p><b>13002</b> JEEP, UNIVERSAL</p>  <p>2"</p>	<p><b>13081</b> GM</p>  <p>2"</p>	<p><b>13635</b> ISUZU, MAZDA</p>  <p>2"</p>
<p><b>13684</b> CHRYSLER, HYUNDAI, MITSUBISHI</p>  <p>2"</p>	<p><b>13855</b> FORD</p>  <p>2-1/32"</p>	<p><b>13872</b> FORD, MAZDA</p>  <p>2-1/16"</p>	<p><b>13021</b> CHRYSLER</p>  <p>2-3/32"</p>
<p><b>13320</b> FORD</p>  <p>2-1/8"</p>	<p><b>13184</b> UNIVERSAL</p>  <p>2-5/32"</p>	<p><b>13295</b> CHRYSLER, HYUNDAI, MITSUBISHI</p>  <p>2-7/32"</p>	<p><b>13023</b> CHRYSLER, MAZDA, NISSAN</p>  <p>2-1/4"</p>
<p><b>13723</b> CHRYSLER, MAZDA, NISSAN</p>  <p>2-5/16"</p>	<p><b>13096</b> FORD</p>  <p>2-5/16"</p>	<p><b>13846</b> FORD, MAZDA</p>  <p>2-3/8"</p>	<p><b>13186</b> UNIVERSAL</p>  <p>2-13/32"</p>

# Exhaust Gaskets "Top 100"

<p><b>13854</b> FORD, MAZDA</p>	<p><b>13044</b> CHRYSLER</p>	<p><b>13731</b> INFINITI, NISSAN</p>	<p><b>13685</b> CHRYSLER, MITSUBISHI</p>
<p><b>13095</b> FORD</p>	<p><b>13187</b> UNIVERSAL</p>	<p><b>13733</b> FORD TRUCK</p>	<p><b>13403</b> UNIVERSAL</p>
<p><b>13316</b> GM TRUCK, SUV</p>	<p><b>13280</b> CHRYSLER</p>	<p><b>13818</b> GM</p>	<p><b>13004</b> UNIVERSAL</p>
<p><b>13020</b> GM</p>	<p><b>13010</b> GM</p>	<p><b>13154</b> NISSAN, RENAULT</p>	<p><b>13600</b> ALFA ROMEO, VOLVO</p>
<p><b>13229</b> GM TRUCK, ISUZU</p>	<p><b>13030</b> GM</p>	<p><b>13083</b> GM</p>	<p><b>13751</b> AUDI, VW</p>

**DESIGN MAKES  
THE DIFFERENCE**

[www.nickson.com](http://www.nickson.com)

# Exhaust Gaskets "Top 100"

<p><b>13011</b> GM</p>	<p><b>13251</b> GM TRUCK</p>	<p><b>13094</b> UNIVERSAL</p>	<p><b>13797</b> AUDI, VW</p>
<p><b>13283</b> GM</p>	<p><b>13748</b> UNIVERSAL</p>	<p><b>13739</b> AMC, GM, JEEP</p> <p>Inner diameter: 1-11/16\"</p>	<p><b>13767</b> GM, GM TRUCK</p> <p>Inner diameter: 1-3/4\"</p>
<p><b>13236</b> GM, GM TRUCK</p> <p>Inner diameter: 1-7/8\"</p>	<p><b>13434</b> GM, GM TRUCK</p> <p>Inner diameter: 1-7/8\"</p>	<p><b>13736</b> GM, GM TRUCK, JEEP</p> <p>Inner diameter: 1-15/16\"</p>	<p><b>13841</b> GM, GM TRUCK</p> <p>Inner diameter: 2-1/16\"</p>
<p><b>13062</b> GM, MITSUBISHI</p> <p>Inner diameter: 2-3/32\"</p>	<p><b>13741</b> GM</p> <p>Inner diameter: 2-1/8\"</p>	<p><b>13798</b> GM TRUCK</p> <p>Inner diameter: 2-1/4\"</p>	<p><b>13317</b> CADILLAC, GM, GM TRUCK</p> <p>Inner diameter: 2-5/16\"</p>
<p><b>13735</b> GM, GM TRUCK, HUMMER</p> <p>Inner diameter: 2-11/32\"</p>	<p><b>13025</b> GM, GM TRUCK</p> <p>Inner diameter: 2-11/32\"</p>	<p><b>13910</b> CADILLAC, GM</p> <p>Inner diameter: 2-1/2\"</p>	<p><b>13315</b> GM TRUCK</p>

# Exhaust Gasket Interchange

Refer to the application catalog for a detailed listing.

ni Number	A.	M.	R.	W.
13001	N/A	G1B	EG24001	N/A
13002	N/A	G2B	EG24002	N/A
13003	N/A	G3B	EG24003	N/A
13004	N/A	G4B	EG24004	N/A
13010	8710	G10B	EG24010	N/A
13011	8711	G11B	EG24011	31348
13014	N/A	G14B	EG24014	31547
13015	8715	G15B	EG24015	31401
13016	N/A	G16B	EG24016	31303
13017	8717	G17B	EG24017	31400
13020	8720	G20B	EG24020	N/A
13021	N/A	G21B	EG24021	31313
13022	8722	G22B	EG24022	N/A
13023	9238	G23B	EG24023	31307
13024	N/A	G24B	EG24024	N/A
13025	9051	G25B	EG24025	31413
13026	8726	G26B	EG24026	31301
13027	N/A	G27B	EG24027	31507
13028	8751	G28B	EG24028	31309
13030	8730	G30B	EG24030	31305
13036	N/A	G36B	EG24036	31402
13039	N/A	G39B	EG24039	31662
13044	8742	G44B	EG24044	31311
13045	8714	G45B	EG24045	N/A
13051	8735S	G51B	EG24051	N/A
13054	8729	G54B	EG24054	N/A
13055	N/A	G55B	EG24055	31403
13057	8738	G57B	EG24057	31500
13059	8769	G59B	EG24059	31404
13062	9052	G62B	EG24062	31502
13070	8773	G70B	EG24070	31405
13073	N/A	G73B	EG24073	N/A
13076	8765	G76B	EG24076	31504
13081	8768	G81B	EG24081	31310
13083	N/A	G83B	EG24083	31312
13086	9055	G86B	EG24086	31664
13087	8744	G87B	EG24087	31503
13088	N/A	G88B	EG24088	31505
13089	8767	G89B	EG24089	31506
13092	N/A	G92B	EG24092	N/A
13094	N/A	G822B	EG24094	31529
13095	8771	G95B	EG24095	31337
13096	8772	G96B	EG24096	N/A
13097	N/A	G97B	EG24097	N/A
13100	9226	G100B	EG24100	N/A
13101	8740	G101B	EG24101	31365
13103	8766	G103B	EG24103	31505
13104	N/A	G104B	EG24104	N/A
13105	8763	G105B	EG24105	31418
13106	N/A	G106B	EG24106	31351
13107	N/A	G107B	EG24107	N/A
13108	N/A	G108B	EG24108	N/A
13109	9118	G109B	EG24109	31508
13110	9083	G110B	EG24110	31416

ni Number	A.	M.	R.	W.
13111	N/A	G111B	EG24111	31370
13112	N/A	G112B	EG24112	N/A
13113	N/A	G113B	EG24113	N/A
13114	9056	G114B	EG24114	31417
13120	N/A	G120B	EG24120	31359
13121	N/A	G121B	EG24121	N/A
13127	N/A	N/A	N/A	31718
13150	N/A	G150B	EG24150	N/A
13152	N/A	G152B	EG24152	N/A
13153	N/A	G153B	EG24153	31567
13154	N/A	G154B	EG24154	31383
13155	N/A	G155B	EG24155	N/A
13157	N/A	G157B	EG24157	N/A
13158	N/A	G158B	EG24158	31568
13160	N/A	G160B	EG24160	31632
13161	N/A	G161B	EG24161	31598
13162	9018	G162B	EG24162	31589
13166	9086	G166B	EG24166	N/A
13169	N/A	G169B	EG24169	N/A
13172	N/A	G172B	EG24172	N/A
13180	N/A	G180B	EG24180	31671
13181	N/A	G181B	EG24181	N/A
13182	N/A	G182B	EG24182	N/A
13183	N/A	G183B	EG24183	N/A
13185	9291	G185B	EG24185	31564
13186	N/A	G186B	EG24186	N/A
13187	N/A	G187B	EG24187	N/A
13190	N/A	G190B	EG24190	N/A
13192	N/A	G192B	EG24192	N/A
13193	N/A	G193B	EG24193	N/A
13194	N/A	G194B	EG24194	31599
13195	N/A	G195B	EG24195	N/A
13196	N/A	G196B	EG24196	N/A
13198	N/A	G198B	EG24198	N/A
13200	N/A	G200B	EG24200	N/A
13201	N/A	G201B	EG24201	N/A
13204	N/A	G204B	EG24204	N/A
13206	N/A	G206B	EG24206	31569
13207	N/A	G207B	EG24207	31622
13212	N/A	G212B	EG24212	N/A
13214	9017	G214B	EG24214	N/A
13216	9275	G216B	EG24216	N/A
13217	9280	G217B	EG24217	N/A
13219	N/A	G219B	EG24219	N/A
13220	N/A	G220B	EG24220	N/A
13222	N/A	N/A	EG24222	N/A
13229	9283	G229B	EG24229	N/A
13231	9214	G231B	EG24231	N/A
13236	9212	G236B	EG24236	31588
13239	8702	G239B	EG24239	31633
13241	N/A	G241B	EG24241	N/A
13242	N/A	G242B	EG24242	N/A
13243	N/A	G243B	EG24243	N/A
13245	8712	G245B	EG24245	31595

A. AP/GOERLICH'S; M. MARWIL; R. ROL; W. WALKER



# Exhaust Gasket Interchange

Refer to the application catalog for a detailed listing.

ni Number	A.	M.	R.	W.
13247	9039	G247B	EG24247	31611
13249	N/A	G249B	EG24249	N/A
13250	8759	G250B	EG24250	31587
13251	9287	G251B	EG24251	31571
13252	N/A	G252B	EG24252	N/A
13253	4731	G1012	G1012	31618
13253	N/A	N/A	EG24253	31618
13254	9286	G254B	EG24254	31573
13255	9282	G255B	EG24255	31585
13256	N/A	G256B	EG24256	N/A
13257	N/A	G257B	EG24257	N/A
13258	N/A	G258B	EG24258	N/A
13266	N/A	N/A	EG24266	31578
13270	9277	N/A	EG24270	N/A
13271	8713	G271B	EG24271	31617
13272	9274	G272B	EG24272	N/A
13277	9288	G277B	EG24277	N/A
13279	N/A	G279B	EG24279	N/A
13280	9289	G280B	EG24280	31597
13281	8721	G281B	EG24281	31635
13283	9054	G283B	EG24283	31606
13284	N/A	G284B	EG24284	N/A
13285	N/A	G285B	EG24285	N/A
13286	N/A	G286B	EG24286	31697
13289	N/A	G289B	EG24289	N/A
13290	8723	G290B	EG24290	N/A
13293	9013	G293B	EG24293	31608
13294	8415	G294B	EG24294	N/A
13295	9279	G295B	EG24295	31534
13297	N/A	G297B	EG24297	31596
13298	N/A	G298B	EG24298	N/A
13299	8414	G299B	EG24299	31625
13303	9278	G303B	EG24303	N/A
13304	8725	G304B	EG24304	N/A
13305	N/A	G305B	EG24305	N/A
13308	8728	G308B	EG24308	31620
13310	8732	G310B	EG24310	31636
13315	9285	G315B	EG24315	31575
13316	9284	G316B	EG24316	31574
13317	N/A	G317B	EG24317	31668
13320	N/A	G320B	EG24320	31336
13323	N/A	G323B	EG24323	N/A
13325	9119	G325B	EG24325	31591
13327	N/A	G327B	EG24327	N/A
13328	N/A	G328B	EG24328	N/A
13329	N/A	G329B	EG24329	31610
13330	N/A	G330B	EG24330	N/A
13332	8762	G332B	EG24332	31602
13333	N/A	G333B	EG24333	31609
13334	9088	G334B	EG24334	31605
13335	N/A	G335B	EG24335	31607
13336	8412	G336B	EG24336	N/A
13337	9215	G337B	EG24337	N/A
13338	9207	G338B	EG24338	31629

ni Number	A.	M.	R.	W.
13340	8404	G340B	EG24340	31654
13341	N/A	G341B	EG24341	31604
13342	8682	G342B	EG24342	31601
13343	N/A	G343B	EG24343	N/A
13344	N/A	G344B	EG24344	N/A
13345	N/A	G345B	EG24345	31684
13346	N/A	G346B	EG24346	31623
13347	N/A	G347B	EG24347	31653
13348	N/A	G348B	EG24348	N/A
13353	N/A	G353B	EG24353	N/A
13357	N/A	G357B	EG24357	N/A
13358	N/A	G358B	EG24358	31657
13359	9019	G359B	EG24359	N/A
13361	N/A	G361B	EG24361	N/A
13364	9271	G364B	EG24364	31637
13365	N/A	G365B	EG24365	N/A
13366	N/A	G366B	EG24366	N/A
13367	8403	G367B	EG24367	31643
13371	N/A	G371B	EG24371	31712
13377	N/A	G377B	EG24377	N/A
13385	9064	G385B	EG24385	N/A
13391	N/A	G391B	EG24391	31638
13392	N/A	G392B	EG24392	31695
13395	9040	G395B	EG24395	N/A
13398	N/A	G398B	EG24398	N/A
13399	8406	G399B	EG24399	N/A
13403	N/A	G403B	EG24403	N/A
13406	N/A	G406B	EG24406	N/A
13408	N/A	G408B	EG24408	N/A
13409	N/A	G409B	EG24409	N/A
13412	N/A	G412B	EG24412	N/A
13414	N/A	G414B	EG24414	N/A
13415	N/A	G415B	EG24415	N/A
13416	N/A	G416B	EG24416	N/A
13417	9254	G417B	EG24417	31642
13422	N/A	G422B	EG24422	31698
13423	N/A	G423B	EG24423	31670
13424	N/A	G424B	EG24424	31659
13426	N/A	G426B	EG24426	31677
13428	9068	G428B	EG24428	N/A
13429	N/A	G429B	EG24429	N/A
13430	N/A	G430B	EG24430	N/A
13431	N/A	G431B	EG24431	N/A
13432	N/A	G432B	EG24432	N/A
13433	N/A	G433B	EG24433	N/A
13434	N/A	G434B	EG24434	N/A
13446	9000	G446B	EG24446	N/A
13450	8409	G450B	EG24450	31706
13452	9096	G452B	EG24452	31704
13454	N/A	G454B	EG24454	N/A
13456	N/A	G456B	EG24456	N/A
13458	N/A	G458B	EG24458	31658
13459	N/A	G459B	EG24459	31694
13460	N/A	G460B	EG24460	N/A

A. AP/GOERLICH'S; M. MARWIL; R. ROL; W. WALKER

# Exhaust Gasket Interchange

Refer to the application catalog for a detailed listing.

ni Number	A.	M.	R.	W.
13461	N/A	G461B	EG24461	N/A
13462	N/A	G462B	EG24462	N/A
13465	N/A	G465B	EG24465	N/A
13467	N/A	G467B	EG24467	31800
13468	N/A	G468B	EG24468	31699
13469	N/A	G469B	EG24469	N/A
13471	N/A	G471B	EG24471	N/A
13475	N/A	G475B	EG24475	N/A
13480	N/A	G480B	EG24480	N/A
13488	N/A	G488B	EG24488	N/A
13506	N/A	G506B	EG24506	N/A
13509	9027	G509B	EG24509	31374
13514	N/A	N/A	EG24514	31674
13519	N/A	G519B	EG24519	N/A
13529	N/A	G529B	EG24529	N/A
13533	N/A	G533B	EG24533	N/A
13535	8758	G535B	EG24535	31411
13536	8750	G536B	EG24536	31314
13548	N/A	G548B	EG24548	N/A
13556	N/A	G556B	EG24556	N/A
13557	9028	G557B	EG24557	31513
13560	N/A	G560B	EG24560	N/A
13572	8752	G572B	EG24572	31318
13573	N/A	G573B	EG24573	31409
13574	8749	G574B	EG24574	31320
13576	8754	G576B	EG24576	31319
13578	8770	G578B	EG24578	31321
13579	9032	G579B	EG24579	31515
13583	9034	G583B	EG24583	31339
13584	9024	G584B	EG24584	31332
13585	9066	G585B	EG24585	31334
13589	9045	G589B	EG24589	31326
13593	9030	G593B	EG24593	31327
13594	9044	G594B	EG24594	31355
13597	8741	G597B	EG24597	N/A
13598	9037	G598B	EG24598	31349
13599	N/A	G599B	EG24599	31342
13600	9031	G600B	EG24600	31390
13601	9041	G601B	EG24601	31340
13602	8739	G602B	EG24602	N/A
13603	N/A	G603B	EG24603	N/A
13609	N/A	G609B	EG24609	N/A
13612	N/A	G612B	EG24612	N/A
13613	9026	G613B	EG24613	31350
13615	8731	G615B	EG24615	N/A
13616	9025	G616B	EG24616	31414
13620	N/A	G620B	EG24620	N/A
13624	9021	G624B	EG24624	N/A
13626	9047	G626B	EG24626	31333
13627	N/A	G627B	EG24627	N/A
13630	9046	G630B	EG24630	31352
13633	N/A	G633B	EG24633	31541
13635	9081	G635B	EG24635	31367
13636	N/A	G636B	EG24636	31335

ni Number	A.	M.	R.	W.
13639	N/A	G639B	EG24639	31680
13644	N/A	G644B	EG24644	N/A
13646	9036	G646B	EG24646	31415
13647	N/A	G647B	EG24647	31396
13648	9252	G648B	EG24648	31397
13649	9059	G649B	EG24649	31518/31616
13654	N/A	G654B	EG24654	31516
13656	9078	G656B	EG24656	31665
13658	9075	G658B	EG24658	N/A
13659	9080	G659B	EG24659	31354
13661	9058	G661B	EG24661	31519
13668	9237	G668B	EG24668	31565
13674	9092	G674B	EG24674	N/A
13675	9221	G675B	EG24675	31391
13684	8697	G684B	EG24684	31388
13685	N/A	G685B	EG24685	N/A
13686	N/A	G686B	EG24686	31525
13687	8686	G687B	EG24687	N/A
13691	N/A	G691B	EG24691	N/A
13693	8696	G693B	EG24693	31517
13694	9072	G694B	EG24694	N/A
13695	N/A	G695B	EG24695	31666
13696	8695	G696B	EG24696	N/A
13697	N/A	G697B	EG24697	N/A
13699	N/A	G699B	EG24699	31514
13700	8690	G700B	EG24700	N/A
13702	8737	G702B	EG24702	N/A
13705	N/A	G705B	EG24705	N/A
13706	N/A	G706B	EG24706	N/A
13707	N/A	G707B	EG24707	N/A
13709	N/A	G709B	EG24709	N/A
13713	9038	G713B	EG24713	31330
13718	N/A	G718B	EG24718	N/A
13723	8724	G723B	EG24723	N/A
13727	N/A	N/A	EG24727	N/A
13729	9262	G729B	EG24729	31368
13731	9099	G731B	EG24731	31540
13732	N/A	G732B	EG24732	31384
13733	9079	G733B	EG24733	31512
13734	N/A	G734B	EG24734	31524
13735	N/A	G735B	EG24735	31511
13736	9093	G736B	EG24736	31523
13737	8706	G737B	EG24737	31358
13738	9087	G738B	EG24738	31357
13739	9091	G739B	EG24739	31381
13740	N/A	G740B	EG24740	N/A
13741	9272	G741B	EG24741	31382
13742	9231	G742B	EG24742	31362/31361
13743	9090	G743B	EG24743	31378
13746	N/A	G746B	EG24746	31356
13748	9069	G748B	EG24748	31347
13749	9082	G749B	EG24749	31364
13750	9057	G750B	EG24750	31584
13751	8691	G751B	EG24751	31369

A. AP/GOERLICH'S; M. MARWIL; R. ROL; W. WALKER

# Exhaust Gasket Interchange

Refer to the application catalog for a detailed listing.

ni Number	A.	M.	R.	W.
13753	9225	G753B	EG24753	31379
13754	N/A	G754B	EG24754	N/A
13756	9010	G756B	EG24756	31582
13757	9273	G757B	EG24757	N/A
13758	8693	G758B	EG24758	31377
13759	9094	G759B	EG24759	31522
13760	N/A	G760B	EG24760	N/A
13763	N/A	G763B	EG24763	31366
13764	N/A	G764B	EG24764	31683
13765	N/A	G765B	EG24765	N/A
13767	9220	G767B	EG24767	31520
13768	9070	G768B	EG24768	31412
13769	N/A	G769B	EG24769	31322
13770	N/A	G770B	EG24770	N/A
13772	9222	G772B	EG24772	31373
13778	N/A	G778B	EG24778	N/A
13779	9229	G779B	EG24779	31376
13780	9224	G780B	EG24780	31548
13781	9228	G781B	EG24781	31375
13783	N/A	G783B	EG24783	31360
13785	8760	G785B	EG24785	31621
13787	N/A	G787B	EG24787	N/A
13793	9061	G793B	EG24793	31331
13795	N/A	G795B	EG24795	N/A
13796	9223	G796B	EG24796	31526
13797	N/A	G797B	EG24797	N/A
13798	9261	G798B	EG24798	31394
13799	9255	G799B	EG24799	31535
13800	9290	G800B	EG24800	31562
13801	N/A	G801B	EG24801	N/A
13802	N/A	G802B	EG24802	N/A
13805	N/A	G805B	EG24805	N/A
13807	9095	G807B	EG24807	31372
13809	9097	G809B	EG24809	31371
13811	8692	G811B	EG24811	N/A
13812	9235	G812B	EG24812	31395
13813	N/A	G813B	EG24813	N/A
13814	N/A	G814B	EG24814	N/A
13817	9050	G817B	EG24817	31385
13818	9015	G818B	EG24818	31546
13820	9098	G820B	EG24820	31389
13821	9014	G821B	EG24821	N/A
13826	9267	G826B	EG24826	31586
13830	9253	G830B	EG24830	31536
13832	9218	G832B	EG24832	31549
13833	N/A	G833B	EG24833	N/A
13834	N/A	G834B	EG24834	N/A
13835	N/A	G835B	EG24835	31387
13838	N/A	G838B	EG24838	N/A
13839	9100	G839B	EG24839	N/A
13840	N/A	G1004	G1004	31392
13841	9234	G841B	EG24841	31398
13842	9245	G842B	EG24842	31530
13843	N/A	G843B	EG24843	N/A

ni Number	A.	M.	R.	W.
13845	9239	G845B	EG24845	31528
13846	9256	G846B	EG24846	31532
13847	9248	G847B	EG24847	31531
13848	9257	G848B	EG24848	31533
13849	9227	G849B	EG24849	31538
13851	9263	G851B	EG24851	31545
13852	N/A	G852B	EG24852	31673
13854	8689	N/A	EG24854	N/A
13855	N/A	G855B	EG24855	N/A
13856	N/A	G856B	EG24856	N/A
13858	N/A	G858B	EG24858	N/A
13859	N/A	G1001	G1001	N/A
13859	N/A	N/A	EG24859	N/A
13860	N/A	N/A	EG24860	N/A
13861	9244	G861B	EG24861	31543
13863	8734	G863B	EG24863	31542
13864	9213	G864B	EG24864	31603
13866	N/A	G866B	EG24866	N/A
13867	N/A	G867B	EG24867	N/A
13868	9257	N/A	EG24868	N/A
13872	9250	G872B	EG24872	31560
13873	9276	G873B	EG24873	31686
13874	N/A	G874B	EG24874	N/A
13875	9251	G875B	EG24875	31570
13877	N/A	G877B	EG24877	31685
13878	N/A	G878B	EG24878	N/A
13879	N/A	G879B	EG24879	N/A
13880	9258	G880B	EG24880	N/A
13881	N/A	G881B	EG24881	N/A
13882	N/A	G882B	EG24882	N/A
13884	N/A	G884B	EG24884	N/A
13885	N/A	G885B	EG24885	31667
13886	N/A	G886B	EG24886	31539
13887	N/A	G887B	EG24887	31550
13888	N/A	G888B	EG24888	N/A
13889	9242	G889B	EG24889	N/A
13890	N/A	G890B	EG24890	N/A
13891	9266	G891B	EG24891	N/A
13892	N/A	G892B	EG24892	N/A
13895	N/A	G895B	EG24895	N/A
13896	N/A	G896B	EG24896	31693
13897	9022	G897B	EG24897	31613
13898	N/A	G898B	EG24898	N/A
13899	N/A	G899B	EG24899	N/A
13900	N/A	G900B	EG24900	N/A
13901	9269	G901B	EG24901	31592
13902	N/A	G902B	EG24902	N/A
13903	N/A	G903B	EG24903	N/A
13904	N/A	G904B	EG24904	N/A
13905	8761	G905B	EG24905	31624
13906	8401	G906B	EG24906	N/A
13907	9268	G907B	EG24907	N/A
13908	9265	G908B	EG24908	31558
13909	8733	G909B	EG24909	N/A

A. AP/GOERLICH'S; M. MARWIL; R. ROL; W. WALKER

# Exhaust Gasket Interchange

Refer to the application catalog for a detailed listing.

ni Number	A.	M.	R.	W.
13910	N/A	G910B	EG24910	31554
13911	N/A	G911B	EG24911	N/A
13912	N/A	G912B	EG24912	N/A
13914	N/A	G914B	EG24914	31553
13915	N/A	G915B	EG24915	31563
13916	N/A	G916B	EG24916	31557
13917	N/A	G917B	EG24917	31556
13918	N/A	G918B	EG24918	31555
13919	N/A	G919B	EG24919	31559
13920	9016	G920B	EG24920	N/A
13921	9247	G921B	EG24921	31561
13922	8688	G922B	EG24922	N/A
13923	9233	G923B	EG24923	31566
13924	N/A	G924B	EG24924	N/A
13925	N/A	G925B	EG24925	N/A
13926	N/A	G926B	EG24926	N/A
13931	N/A	G931B	EG24931	31628
13933	N/A	G933B	EG24933	N/A
13941	N/A	G941B	EG24941	N/A
13943	N/A	G943B	EG24943	N/A
13944	N/A	G944B	EG24944	N/A
13945	9011	G945B	EG24945	N/A
13946	N/A	G946B	EG24946	N/A
13947	N/A	G947B	EG24947	N/A
13948	N/A	G948B	EG24948	N/A
13952	N/A	G952B	EG24952	N/A
13954	N/A	G954B	EG24954	N/A
13955	N/A	G955B	EG24955	N/A
13959	N/A	G959B	EG24959	N/A
13962	N/A	G962B	EG24962	N/A
13963	N/A	G963B	EG24963	31614
13964	N/A	G964B	EG24964	N/A
13966	N/A	G966B	EG24966	31669
13967	N/A	G967B	EG24967	N/A
13968	N/A	G968B	EG24968	N/A
13969	N/A	G969B	EG24969	N/A
13970	N/A	G970B	EG24970	31600
13973	9216	G973B	EG24973	N/A
13974	N/A	G974B	EG24974	N/A
13976	N/A	G976B	EG24976	31654
13979	N/A	G979B	EG24979	31689
13980	9264	G980B	EG24980	N/A
13981	N/A	G981B	EG24981	31576
13983	N/A	G983B	EG24983	N/A
13985	N/A	G985B	EG24985	31615
13987	N/A	G987B	EG24987	N/A
13988	9270	G988B	EG24988	N/A
13989	N/A	G989B	EG24989	N/A
13991	N/A	G991B	EG24991	N/A
13992	N/A	G992B	EG24992	N/A
13993	N/A	G993B	EG24993	31619
13995	N/A	G995B	EG24995	N/A
13996	N/A	G996B	EG24996	N/A
13997	8701	G997B	EG24997	31590

ni Number	A.	M.	R.	W.
13998	9281	G998B	EG24998	31593
13999	N/A	G999B	EG24999	N/A
131000	N/A	G1000	G1000	N/A
131002	N/A	G1002	G1002	31537
131061	N/A	G1061	G1061	N/A

A. AP/GOERLICH'S; M. MARWIL; R. ROL; W. WALKER